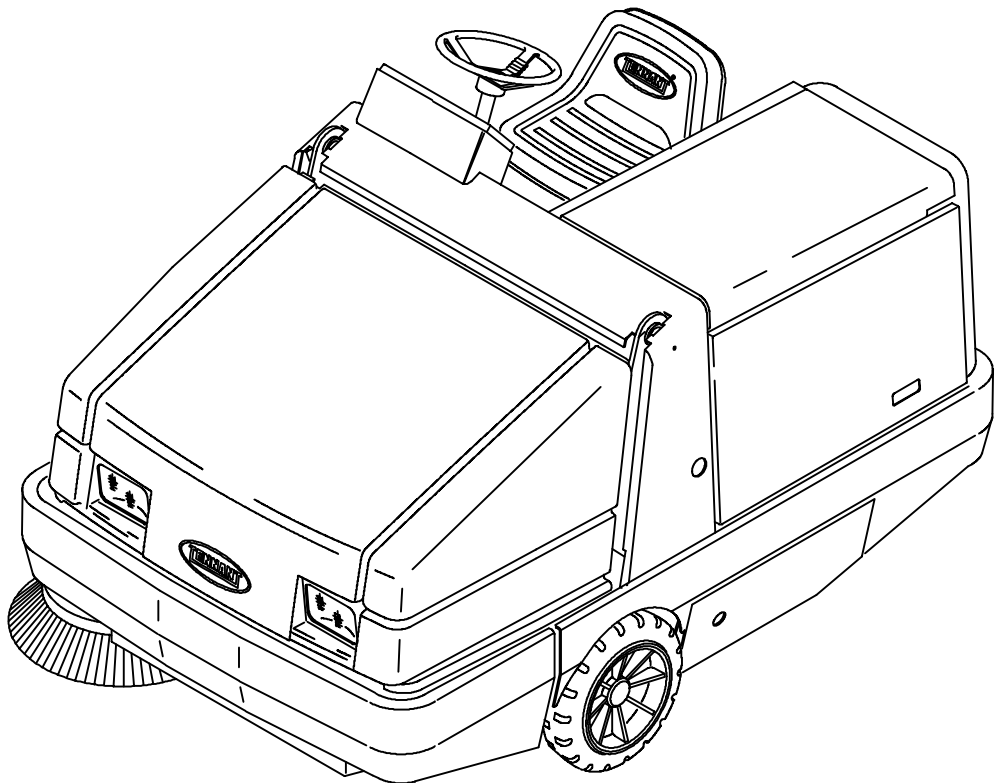




**6500**

**Parts Manual**



**330274**

**Rev. 06**





This manual is furnished with each new TENNANT Model 6500.

This manual consists of the How To Use This Manual; Standard Parts; Options; Breakdowns; Engine Breakdown; and Cross Reference sections.

**MACHINE DATA**

*Please fill out at time of installation for future reference.*

Machine Model Number - 6500

Machine Serial Number - \_\_\_\_\_

Machine Options - \_\_\_\_\_

TENNANT Representative/phone no. - \_\_\_\_\_

Customer ID Number - \_\_\_\_\_

Date of Installation - \_\_\_\_\_

Manual Number - 330274

Revision: 06

Published: 6-02

## HOW TO USE THIS MANUAL

This section on *HOW TO USE THIS MANUAL* will tell you how to:

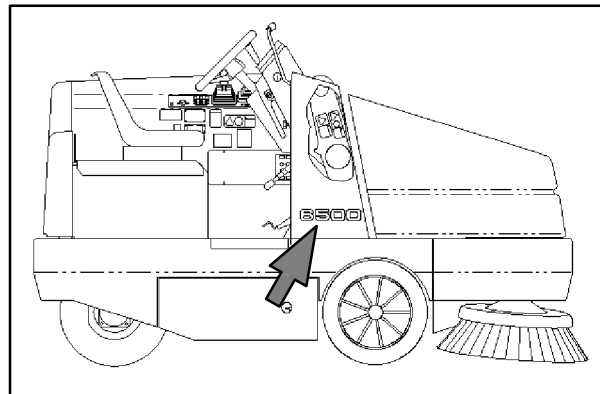
- Find important machine information for ordering correct repair parts.
- Find TENNANT part numbers.
- Order TENNANT parts and supplies.

### IMPORTANT INFORMATION

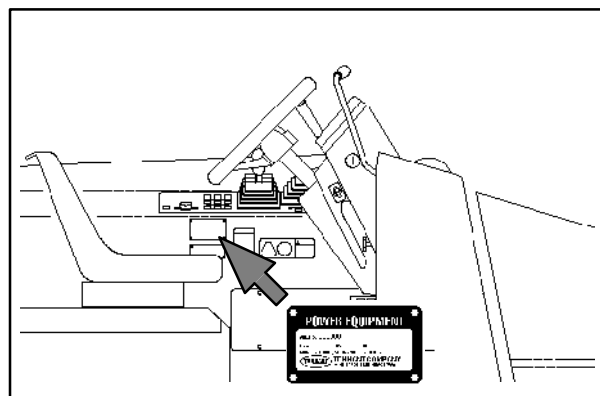
When placing an order for parts, the machine model and machine serial number are important. Refer to the *MACHINE DATA* box which is filled out during the installation of your machine. The *MACHINE DATA* box is located on the inside of the front cover of this manual.

MACHINE DATA	
<i>Please fill out at time of installation for future reference.</i>	
Machine Model Number -	355
Machine Serial Number -	_____
Machine Options -	_____
TENNANT Representative/phone no. -	_____
Customer ID Number -	_____
Date of Installation -	_____
Manual Number -	MM300
Revision:	00
Published:	08-92

The model number of your machine is on the side of the machine.



The serial number of your machine is printed on the machine data plate located as shown.



# HOW TO USE THIS MANUAL

## FINDING A TENNANT PART NUMBER

This manual contains the following sections:

- HOW TO USE THIS MANUAL
- STANDARD PARTS
- OPTIONS
- BREAKDOWNS
- CROSS REFERENCE

The STANDARD PARTS section lists repair parts for standard machines. They are grouped in this general order:

- General wear parts.
- Machine frame and related parts.
- Machine propelling system.
- Scrubbing components.
- Electrical parts.

The OPTION section lists repair parts of options.

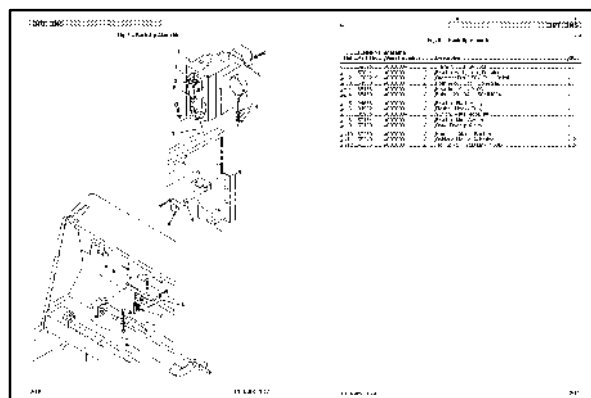
The BREAKDOWN section lists available repair parts of major components.

All sections in this manual consist of parts illustrations and corresponding parts lists.

The parts illustrations are numbered with **Ref** numbers which refer to corresponding parts lists.

The parts lists include a number of columns of information:

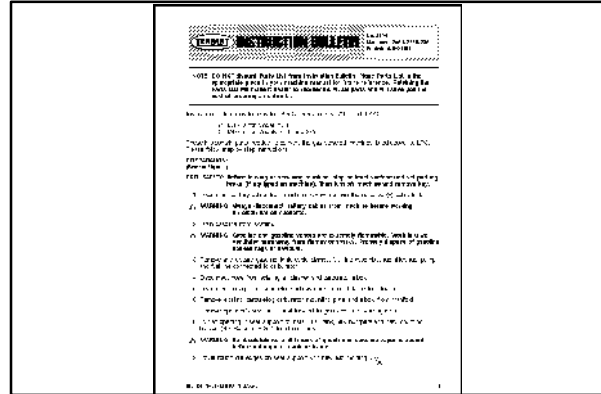
- **Ref** - column refers to the reference number on the parts illustration.  
 ▽ - indicates the part is an assembly.  
 ▲ - indicates the part is included in the assembly listed just before it.
- **TENNANT Part No.** - column lists the TENNANT part number for the part.
- **Serial Number** - column indicates the set of machines the part number is applicable to. Serial numbers change when the machine design has been modified. The most current design of the machine is shown in the main illustration, older designs are boxed in a corner of the illustration.
- **Description** - column is a brief description of the part.
- **Qty.** - column lists the quantity of that part used in that area of the machine.



Ref.	TENNANT Part No.	Machine Serial number	Description	Qty.
□	59395	(000000-)	Alarm Kit, Flu. Alb. 35A	1
▲ 1	50044	(000000-)	Bracket, V-Mnt., Light, Notating	1
▲ 2	10036-9	(000000-)	Grommet, Flcr, 0.50d, For .13Mat	1
▲ 3	01920	(000000-)	Horn Assy, Dact-Up Alarm	1
▲ 4	36436	(000000-)	Headlight Assy, 21CG	1
▲ 4	36439	(000000-)	Bulb, 12V, SA 16Cu#1004	1
▲ 5	24576-1	(000000-)	Bracket, Flasher	1
▲ 6	31922	(000000-)	Flasher, Heavy Duty	1
▲ 7	35406	(000000-)	Switch, Waterproof, 10A	1
▲ 8	59154	(000000-)	Bracket, Mtg, Switch	1
▲ 9	59163	(000000-)	Cam, Backup Alarm	1
▲ 10	60288	(000000-)	Harness, Alarm, Backup	1
▲ 11	55246	(000000-)	Cabletie Mount, Adhesive	2
▲ 12	49266	(000000-)	Tie Cable, .750 Max T, 50Lg	5

**NOTE:** If a service kit is installed on your machine, be sure to keep the **INSTRUCTION BULLETIN** which came with the kit. It contains repair parts numbers needed for ordering future parts.

**NOTE:** Fasteners used in this machine may be metric or non-metric. Take care when replacing hardware to replace with same thread size.



## PLACING AN ORDER

Orders may be placed by phone, fax, or by mail. Phone orders may need written confirmation. Follow the steps below to insure prompt delivery:

1. Identify the model number of your machine.
2. Identify the serial number of your machine.
3. Find the part number of the part you need. Do not order by page number or reference number. If you are not able to find the part number, call your TENNANT representative for help or send the old part as a sample.
4. Determine the quantity of the part you need.
5. Provide the following company information:
  - Company name
  - Customer ID Number
  - Shipping address
  - Billing address
  - First and last name of person ordering parts
  - Telephone number
  - Purchase order number
6. Provide definitive shipping instructions.

## HOW TO USE THIS MANUAL

---

Any claim for loss or damage to a shipment in transit should be filed promptly with the transportation company making the delivery. Shipments will be complete unless the packing list or order acknowledgement indicates items back ordered.

If parts received are suspected to be incorrect or defective, please contact the TENNANT representative from whom you ordered the part. They will give authorization for return and/or handle replacement shipments when required.

## SECTION 2

Contents	Page
Fig. 1 - General Recommended Maintenance Items .....	2-3
Fig. 2 - Replacement Brushes .....	2-5
Fig. 3 - Main Frame Group .....	2-6
Fig. 4 - Right Brush Door Group .....	2-8
Fig. 5 - Left Brush Door Group .....	2-9
Fig. 6 - Seat and Shroud Group .....	2-10
Fig. 7 - Right Grille Group .....	2-12
Fig. 8 - Left Grille and Hydraulic Cooler Group .....	2-14
Fig. 9 - Engine Cover Group .....	2-16
Fig. 10 - Engine Side Door Group .....	2-18
Fig. 11 - Steering and Firewall Group .....	2-20
Fig. 12 - Instrument Panel Assembly .....	2-22
Fig. 13 - Side Instrument Panel Group .....	2-24
Fig. 14 - Circuit Breaker and Relay Group .....	2-26
Fig. 15 - Engine Group .....	2-28
Fig. 16 - Engine Mount Group .....	2-30
Fig. 17 - Carburetor Group, Gasoline .....	2-32
Fig. 18 - Carburetor Group, LPG .....	2-34
Fig. 19 - Vaporizer Group, LPG .....	2-36
Fig. 20 - Air Cleaner Group .....	2-38
Fig. 21 - Clogged Filter Switch Kit .....	2-40
Fig. 22 - Alternator and Engine Fan Group .....	2-41
Fig. 23 - Muffler Group .....	2-42
Fig. 24 - Fuel Tank Group, Gasoline .....	2-44
Fig. 25 - Fuel Tank Group, LPG .....	2-46
Fig. 26 - Radiator Group .....	2-48
Fig. 27 - Battery Group, Gasoline .....	2-50
Fig. 28 - Battery Group, LPG .....	2-51
Fig. 29 - Rear Drive Wheel Group .....	2-52
Fig. 30 - Soft Ride Tire And Wheel Assembly .....	2-54
Fig. 31 - Front Wheel and Brakes Group .....	2-56
Fig. 32 - Brake Lever and Pedal Group .....	2-58
Fig. 33 - Directional Pedal Group .....	2-60
Fig. 34 - Hydraulic Pump Linkage Group .....	2-62
Fig. 35 - Hopper Group .....	2-64
Fig. 36 - Hopper Cylinder and Dump Door Group .....	2-66
Fig. 37 - Hopper Hood Group .....	2-68
Fig. 38 - Hopper Bumper Group .....	2-70
Fig. 39 - Filter Box Group .....	2-72
Fig. 40 - Hopper Lift Arms Group .....	2-74
Fig. 41 - Side Brush Motor and Pivot Group .....	2-76
Fig. 42 - Side Brush Lift Group .....	2-78
Fig. 43 - Main Brush Lift Group .....	2-80
Fig. 44 - Main Brush Drive Group .....	2-82
Fig. 45 - Vacuum Fan Group .....	2-84
Fig. 46 - Vacuum Fan Motor and Fittings Group .....	2-86
Fig. 47 - Hydraulic Schematic .....	2-88
Fig. 48 - Hydraulic Hose Group .....	2-90
Fig. 49 - Hydraulic Reservoir Group .....	2-92
Fig. 50 - Hydraulic Valve Group .....	2-94
Fig. 51 - Hydraulic Pumps Group .....	2-96
Fig. 52 - Electrical Schematic .....	2-98
Fig. 53 - Wire Harnesses Group .....	2-102
Fig. 54 - Label Group .....	2-107
Fig. 55 - Tail Light Kit .....	2-108





Fig. 1 - General Recommended Maintenance Items

Ref.	Tennant Part No.	Machine Serial Number	Description	Qty.
▽	69941	(000000-	) Performance Pkg 400Hr Gas 355L	1
▲	39046	(000000-	) Spark Plug	4
▲	07705	(000000-	) Gasket	1
▲	58120	(000000-	) Element, Air Filter	1
▲	19205	(000000-	) Filter, Eng Oil, Spin-On	4
▲	36050	(000000-	) Filter, Fuel	2
▲	65869-1	(000000-	) Fluid, Hyd Oil, Shp 15/40 1Gal	6
▲	55740	(000000-	) Filter Element Ph	1
▽	69942	(000000-	) Performance Pkg 400Hr LPG 355L	1
▲	39046	(000000-	) Spark Plug	4
▲	07705	(000000-	) Gasket	1
▲	58120	(000000-	) Element, Air Filter	1
▲	19205	(000000-	) Filter, Eng Oil, Spin-On	8
▲	65869-1	(000000-	) Fluid, Hyd Oil, Shp 15/40 1Gal	6
▲	55740	(000000-	) Filter Element Ph	1
▲	79425	(000000-	) Seal, Bulb 140.0 Lg	1
▽	383228	(000000-	) Kit, Maintenance, 800Hr	1
▲	383722	(000000-	) Circuitbreaker, 15.0a	2
▲	79399	(000000-	) Switch	1
▲	59687	(000000-	) Seal	2
▲	59685	(000000-	) Seal	1
▲	379751	(000000-	) Skirt	1
▲	379750	(000000-	) Skirt	1
▲	54190	(000000-	) Skirt, Deflector	1
▲	59680	(000000-	) Skirt, Lip	1
▲	59681	(000000-	) Skirt, Lip	1
▲	379705	(000000-	) Skirt, Lip	1
▲	379706	(000000-	) Skirt, Lip	1
▲	54089	(000000-	) Skirt	2
▲	58103	(000000-	) Seal, Door, Dump, Hppr, Rear	1
▲	59105	(000000-	) Seal, Door, Dump, Hppr, Rear	1
▲	55884	(000000-	) Retainer, Seal, Hppr, .12 X 1.8 X 40.3l	1
▲	379629	(000000-	) Kit, Fltr, Fine Particle	1
▲	32126	(000000-	) Stud, Wheel, .50-20 X 1.50	1
▲	24339	(000000-	) Nut, Wheel, .50-20 X 60 Angle	1
▲	87866	(000000-	) Key, Switch, Set Of Two	1
▲	61490	(000000-	) Kit, Replmt, Seal	1
▲	59335	(000000-	) Kit, Seal, Hyd	1
▲	04483	(000000-	) Kit, Seal, Hyd	1
▲	79812	(000000-	) Kit, Seal, Hyd, Valve	1
▽	379841	(000000-	) Kit, Maint Seal, Hopper Door 6500	1
▲	379699	(000000-	) Seal, Door, Dump	1
▲	379698	(000000-	) Plate, Retainer, Dump Door	1
▲	379791	(000000-	) Bolt, Carriage, M06x1.0	6
▲	01684	(000000-	) Washer Flt .25 Ss	6
▲	08712	(000000-	) Nut-Hxlocnyln M 6X1.0 Reg Ss	6
▲	379702	(000000-	) Seal, Door, Dump, Side	2
▲	379703	(000000-	) Strap, Door, Dump, Side	2
▲	08716	(000000-	) Screw-Hexssm 6x1.0	8
▲	01684	(000000-	) Washer Flt .25 Ss	16
▲	08712	(000000-	) Nut-Hxlocnyln M 6X1.0 Reg Ss	8

## STANDARD PARTS

Fig. 1 - General Recommended Maintenance Items

Ref.	Tennant Part No.	Machine Serial Number	Description	Qty.
▽	379842	(000000-	) Kit, Maint Skirt, Hopper 6500	1
▲	379706	(000000-	) Skirt, Lip	1
▲	379705	(000000-	) Skirt, Lip	1
▲	379704	(000000-	) Strap, Main Lip	1
▲	379792	(000000-	) Bolt, Carriage, M08x1.25	5
▲	01685	(000000-	) Washer, Flt .31Ss	5
▲	08713	(000000-	) Nut-Hxlocnyln M 8X1.25 Reg Ss	5
▲	54089	(000000-	) Skirt, Side, Sbdc, Lh	1
▲	379831	(000000-	) Plate, Retainer	1
▲	379814	(000000-	) Plate, Retainer	1
▲	11329	(000000-	) Screw-Hexssm 6x1.0	6
▲	01684	(000000-	) Washer Flt .25 Ss	6

Fig. 2 - Replacement Brushes

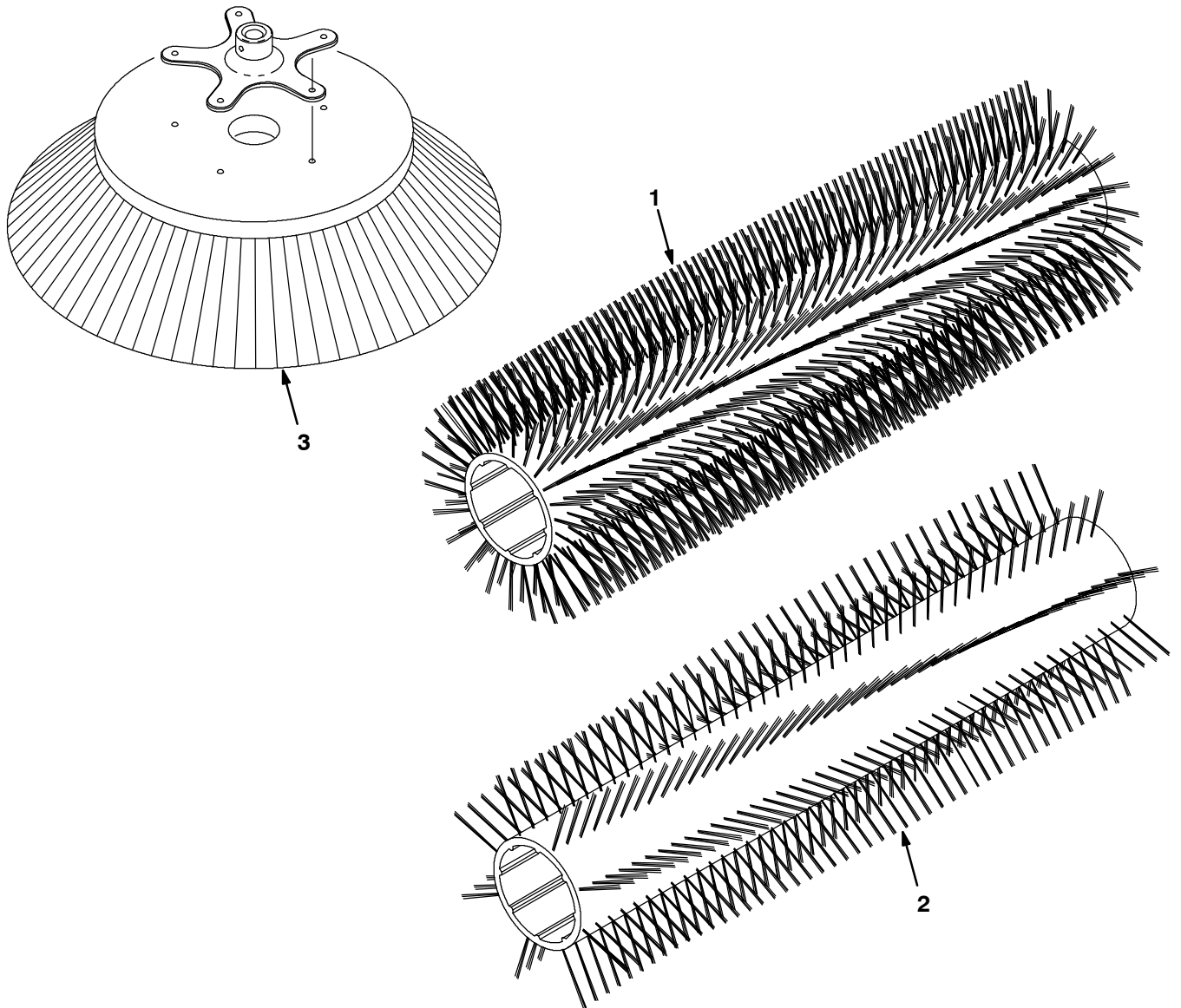


Fig. 2 - Replacement Brushes

351707 - 6500, 6550E

Ref.	Tennant Part No.	Machine Serial Number	Description	Qty.
1	54927	(000000-	) Brush-Sweep Spl-45Lg-24 Single Row-Fiber and Wire	1
1	54922	(000000-	) Brush-Sweep Spl-45Lg-24 Single Row-Nylon	1
2	54923	(000000-	) Brush-Sweep Spl-45Lg-8 Double Row-Nylon	1
2	54925	(000000-	) Brush-Sweep Spl-45Lg-8 Double Row-Poly and Wire	1
2	59440	(000000-	) Brush-Sweep Spl-45Lg-8 Double Row-Wire	1
2	66019	(000000-	) Brush-Sweep Spl-45Lg-8 Double Row-Poly	1
2	66018	(000000-	) Brush-Sweep Spl-45Lg-5 Double Row-Nylon	1
2	370008	(000000-	) Brush-Sweep Spl-45Lg-Wedg Poly	1
2	370009	(000000-	) Brush-Sweep Spl-45Lg-Wndo Poly	1
3	51021N	(000000-	) Brush-Side Swp -26 Dia-Nylon	1
3	51542	(000000-	) Brush-Side Swp -26 Dia-Flatwire	1
3	70538	(000000-	) Brush-Side Swp -26 Dia-Poly	1

Fig. 3 - Main Frame Group

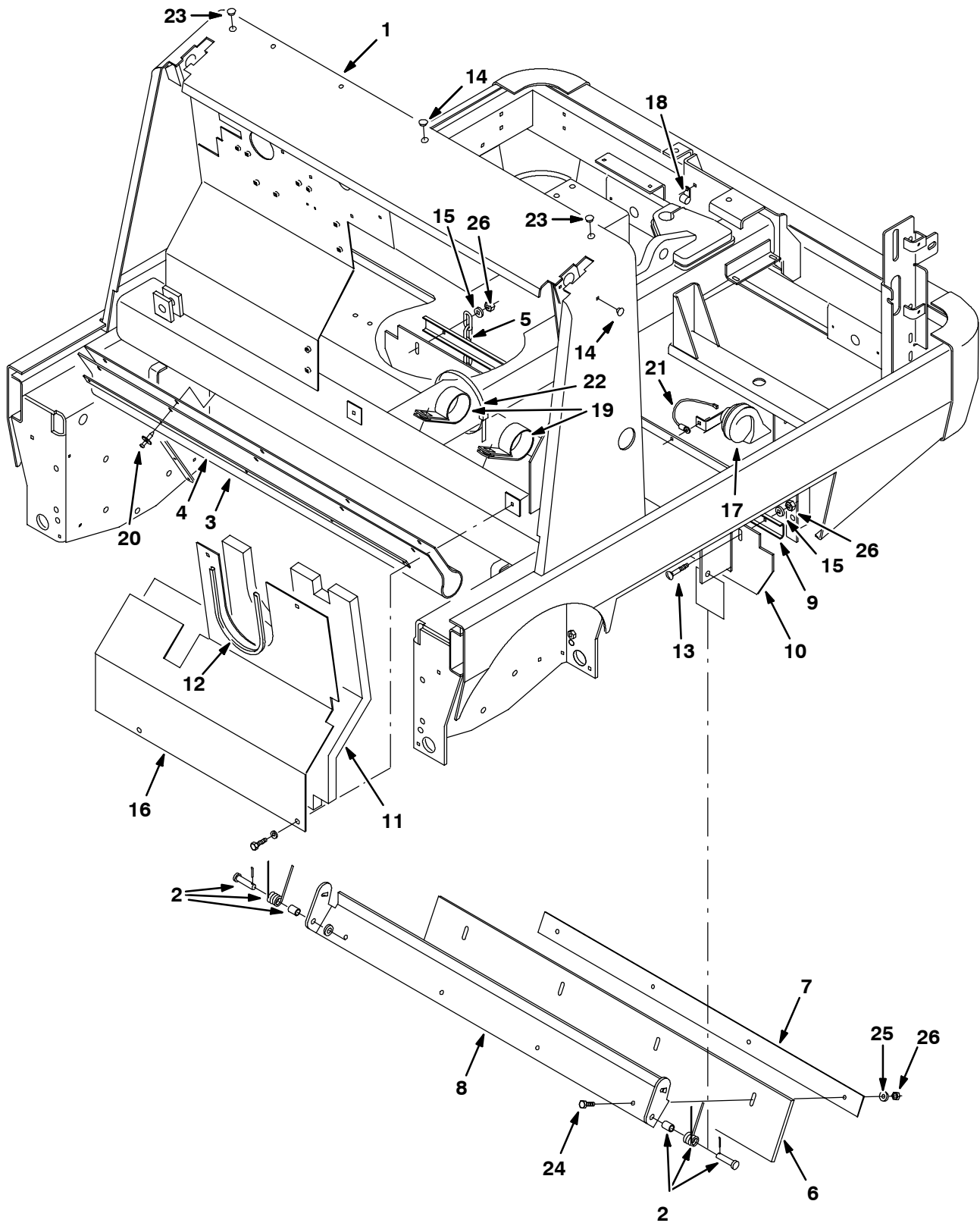
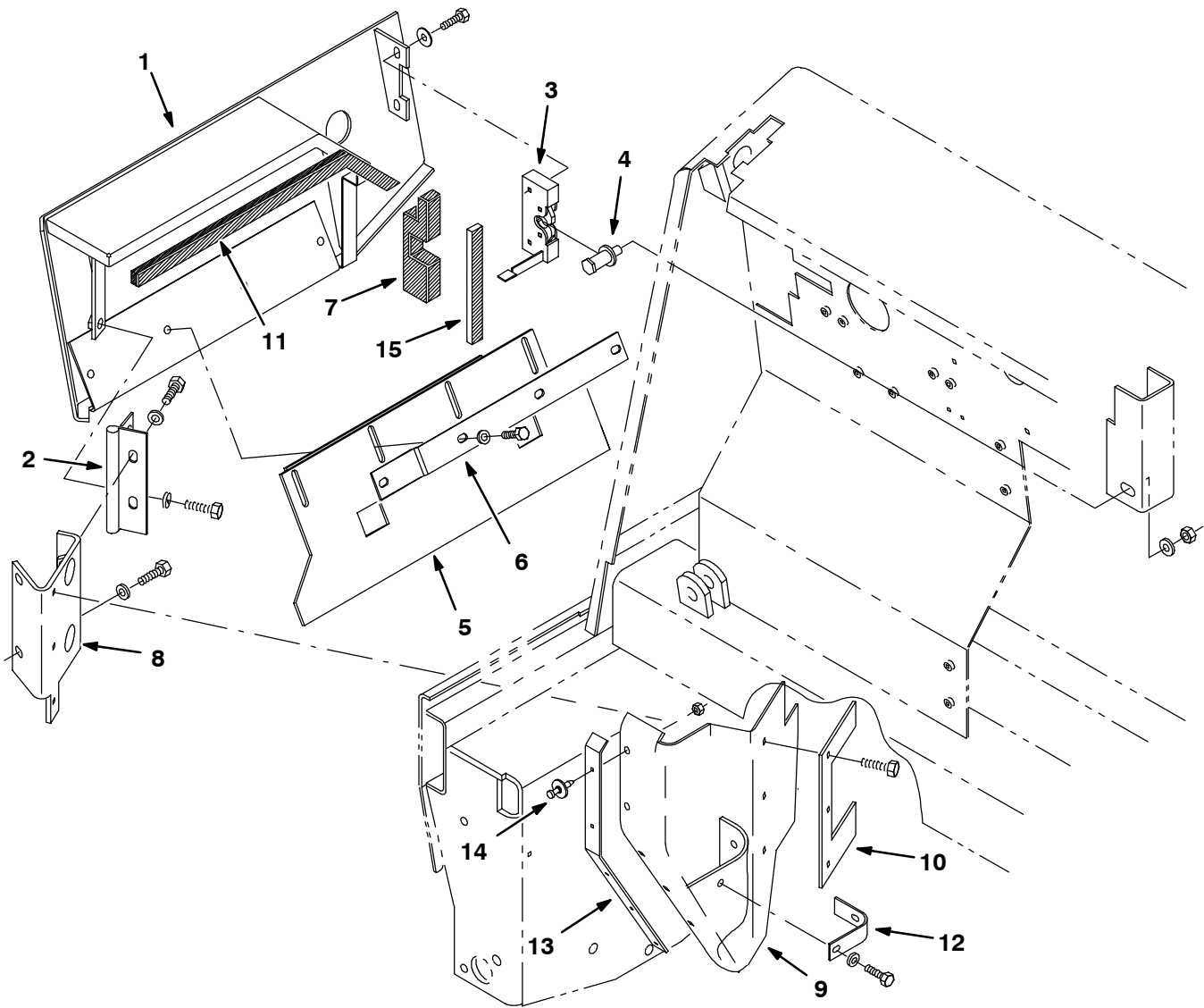


Fig. 3 - Main Frame Group

Ref.	Tennant Part No.	Machine Serial Number	Description	Qty.
1	383186	(000000-	) Frame Wldt, Main	1
2	69904	(000000-	) Spring Assy, Recirculation	1
3	379752	(000000-	) Skirt, Hopper, Top	1
4	56890	(000000-	) Strap, Backing, Hopper	1
5	09342	(000000-	) Chain, Link#2/0, 5Links Plain	1
6	54190	(000000-	) Blade, Deflector	1
6	374517	(000000-	) Skirt, Recirculation, Turf (Option)	1
7	54184	(000000-	) Strip, Retainer, Seal	1
8	54182	(000000-	) Bracket, Flap, Recirculation	1
9	383161	(000000-	) Channel, Retainer, Seal, Rear	1
10	383160	(000000-	) Skirt, Seal, M Br	1
11	53491	(000000-	) Insulation, Acoustic, Firewall	1
12	62595-21	(000000-	) Molding, Trim 11-14Ga 25.62	1
13	69915	(000000-	) Bolt-Carrm 8X1.25 40 4.6 Pltd	4
14	01314	(000000-	) Plugbtn .38H .03-.12 Blacknyl	3
15	01685	(000000-	) Washer, Flat, .31 Ss	4
16	72152	(000000-	) Panel, Engine	1
17	21642	(000000-	) Horn, 12V	1
18	67767	(000000-	) Clamp - Cable, .69 Dia .62 Wth	3
19	53468	(000000-	) Clamp, Hose	3
20	21246	(000000-	) Rivet, Plastic .325x.787	5
21	70284	(000000-	) Wire Assy, Horn Ground, 16 Ga x 6	1
22	222809	(000000-	) Cable, 9" Bundle Dia	3
23	57167	(000000-	) Plugbtn .62H .03-.12 Blacknyl	2
24	09011	(000000-	) Screw, Hex, M08-1.25 X 30, Ss	4
25	01684	(000000-	) Washer, Flat, .25 Ss	4
26	08713	(000000-	) Nut, Hex, Lock, M08-1.25,NI,Ss	8

# STANDARD PARTS

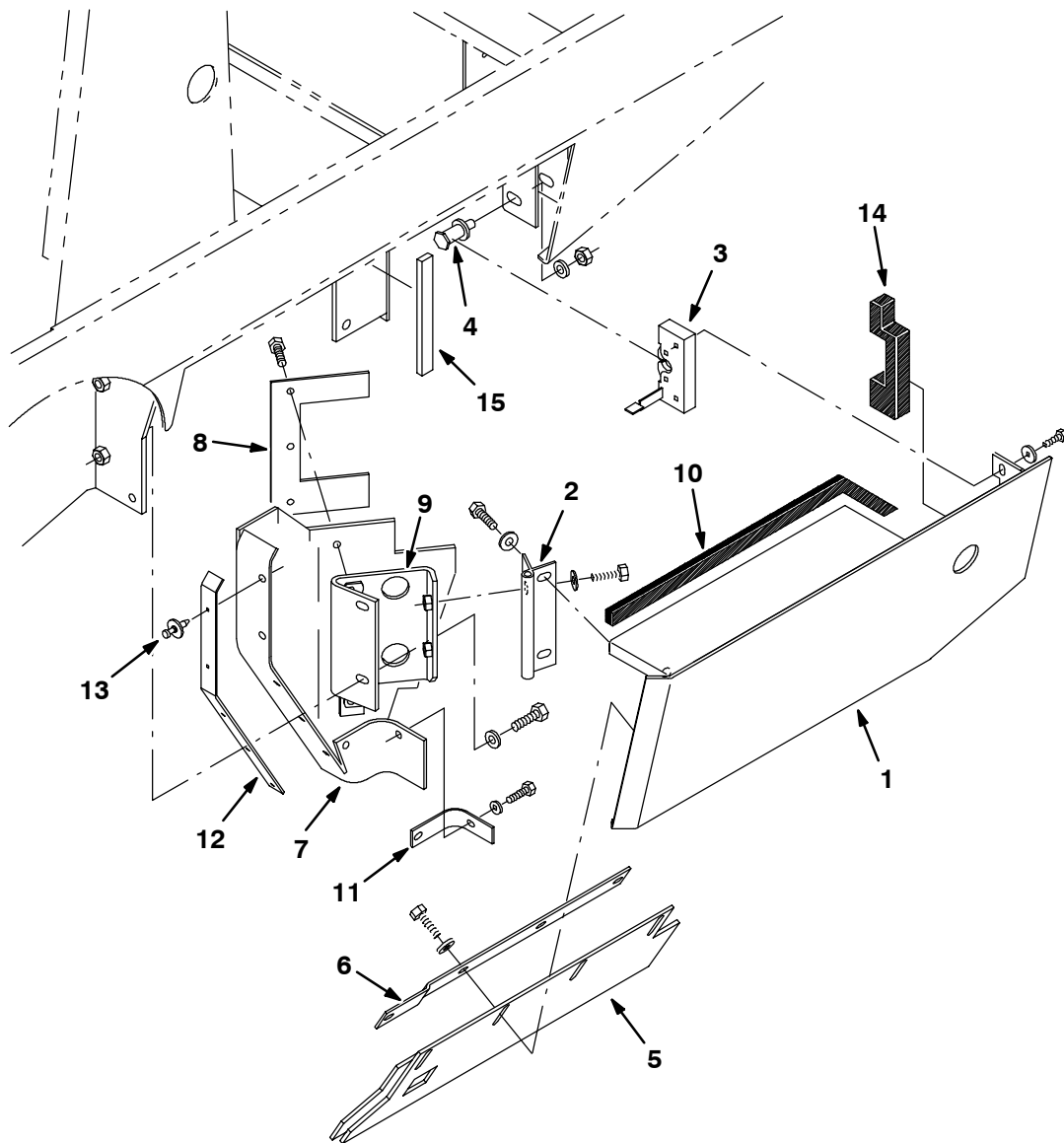
Fig. 4 - Right Brush Door Group



351713 - ALL

Ref.	Tennant Part No.	Machine Serial Number	Description	Qty.
1	59761	(000000- )	Door Wldt, Brush, Rh	1
2	72120	(000000- )	Hinge, Door, Brush	1
3	59195	(000000- )	Latch, Hook, Rh	1
4	59192	(000000- )	Latch, Bolt	1
5	379751	(000000- )	Skirt Assy, Brush Door, Rh	1
6	379756	(000000- )	Strip, Retainer, Skirt	1
7	59537	(000000- )	Seal, Door, Brush, Rh	1
8	72118	(000000- )	Bracket, Mtg, Hinge, Rh	1
9	379755	(000000- )	Skirt, Deflector	1
10	59692	(000000- )	Strap, Deflector	1
11	69931	(000000- )	Seal, Foam Rbr	1
12	58770	(000000- )	Strip, Retainer	1
13	56914	(000000- )	Strap	1
14	72968	(000000- )	Rivet, Plastic .250x.898	5
15	13301	(000000- )	Seal, Rbr, .31 x .75 x 7.0	1

Fig. 5 - Left Brush Door Group



351715 - ALL

Ref.	Tennant Part No.	Machine Serial Number	Description	Qty.
1	59760	(000000- )	Door Wldt, Brush, Lh	1
2	72120	(000000- )	Hinge, Door, Brush	1
3	59194	(000000- )	Latch, Hook, Lh	1
4	59192	(000000- )	Latch, Bolt	1
5	379750	(000000- )	Skirt Assy, Brush Door, Lh	1
6	379756	(000000- )	Strip, Retainer, Skirt	1
7	379755	(000000- )	Skirt, Deflector	1
8	59692	(000000- )	Strap, Deflector	1
9	72119	(000000- )	Bracket, Mtg, Hinge, Lh	1
10	69931	(000000- )	Seal, Foam Rbr	1
11	58770	(000000- )	Strip, Retainer	1
12	56914	(000000- )	Strap	1
13	72968	(000000- )	Rivet, Plastic .250x.898	5
14	59538	(000000- )	Seal, Door, Brush, Lh	1
15	13301	(000000- )	Seal, Rbr, .31 x .75 x 7.0	1

Fig. 6 - Seat and Shroud Group

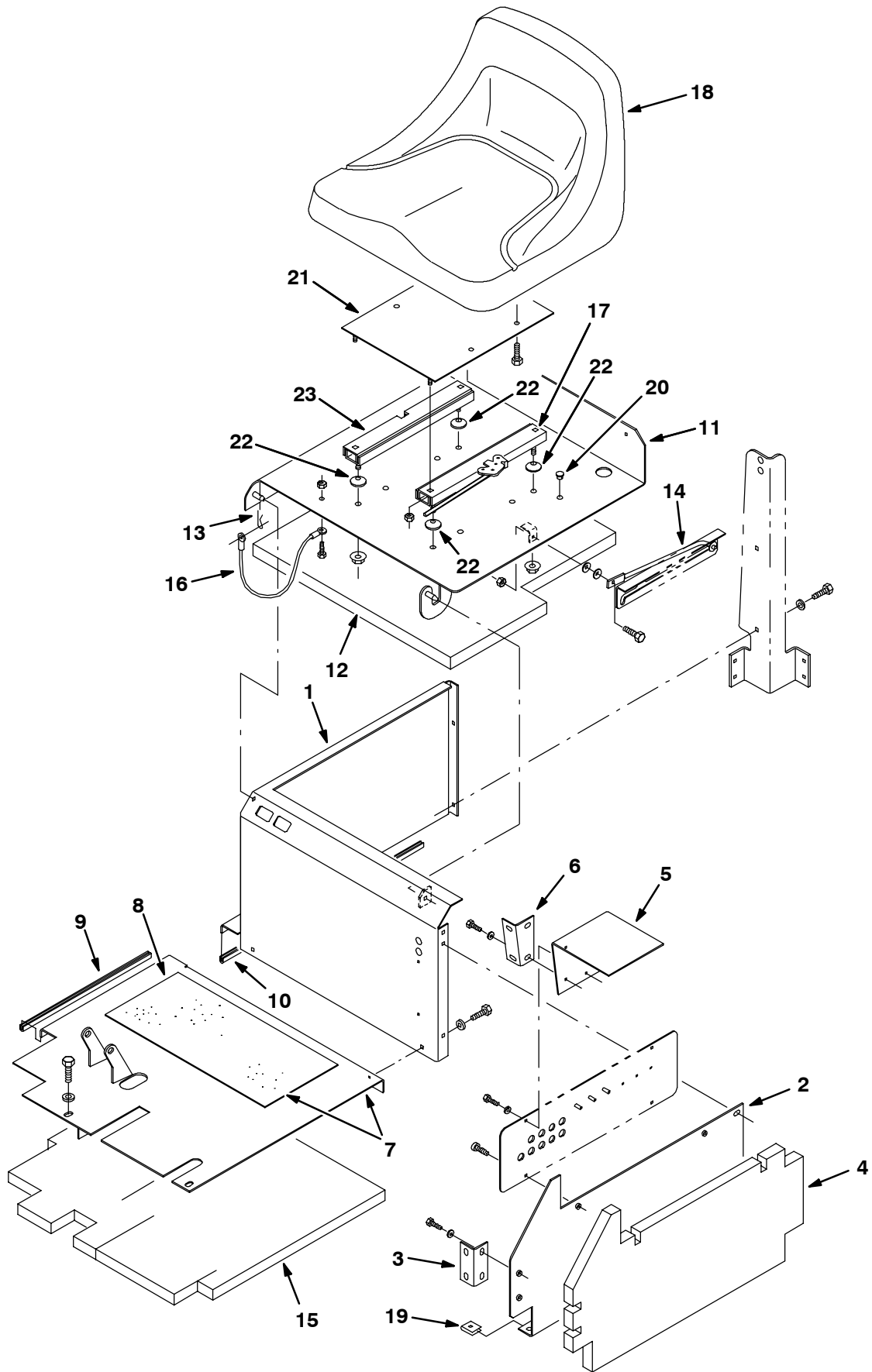




Fig. 6 - Seat and Shroud Group

Ref.	Tennant Part No.	Machine Serial Number	Description	Qty.	
1	58297	(000000-	) Panel Wldt, Sppt, Seat	1	
2	54030	(000000-	) Panel, Inside	1	
3	59771	(000000-	) Bracket	1	
4	53494	(000000-	) Insulation, Acoustic, Panel	1	
5	391848	(000000-	) Panel, Filler, Upper	1	
6	59766	(000000-	) Bracket, Inside	1	
▽	7	72138	(000000-	) Plate, Floor w/tread	1
▲	8	16369	(000000-	) Pad, Tread	1
9	62595-22	(000000-	) Molding, Trim 11-14Ga 14.20	1	
10	62595-23	(000000-	) Molding, Trim 11-14Ga 22.80	1	
11	53839	(000000-	) Cover Wldt, Sppt, Seat	1	
12	59822	(000000-	) Insulation, Acoustic, Seat	1	
13	44906	(000000-	) Pin,Hair Cotter #Lhcot-2,Leitk	1	
14	54615	(000000-	) Rod Wldt, Seat	1	
15	53492	(000000-	) Insulation, Acoustic, Plate	1	
16	57702	(000000-	) Cable	1	
17	51458	(000000-	) Adjuster Assembly, Seat	1	
18	375411	(000000-	) Seat	1	
19	58595	(000000-	) Nut, U M 8X1.25 Pltd	1	
20	33807	(000000-	) Plugbtn .44H	2	
21	66099	(000000-	) Plate, Seat Support	1	
22	52615	(000000-	) Spacer, Seat Adjuster	4	
23	51459	(000000-	) Adjuster, Seat	1	

Fig. 7 - Right Grille Group

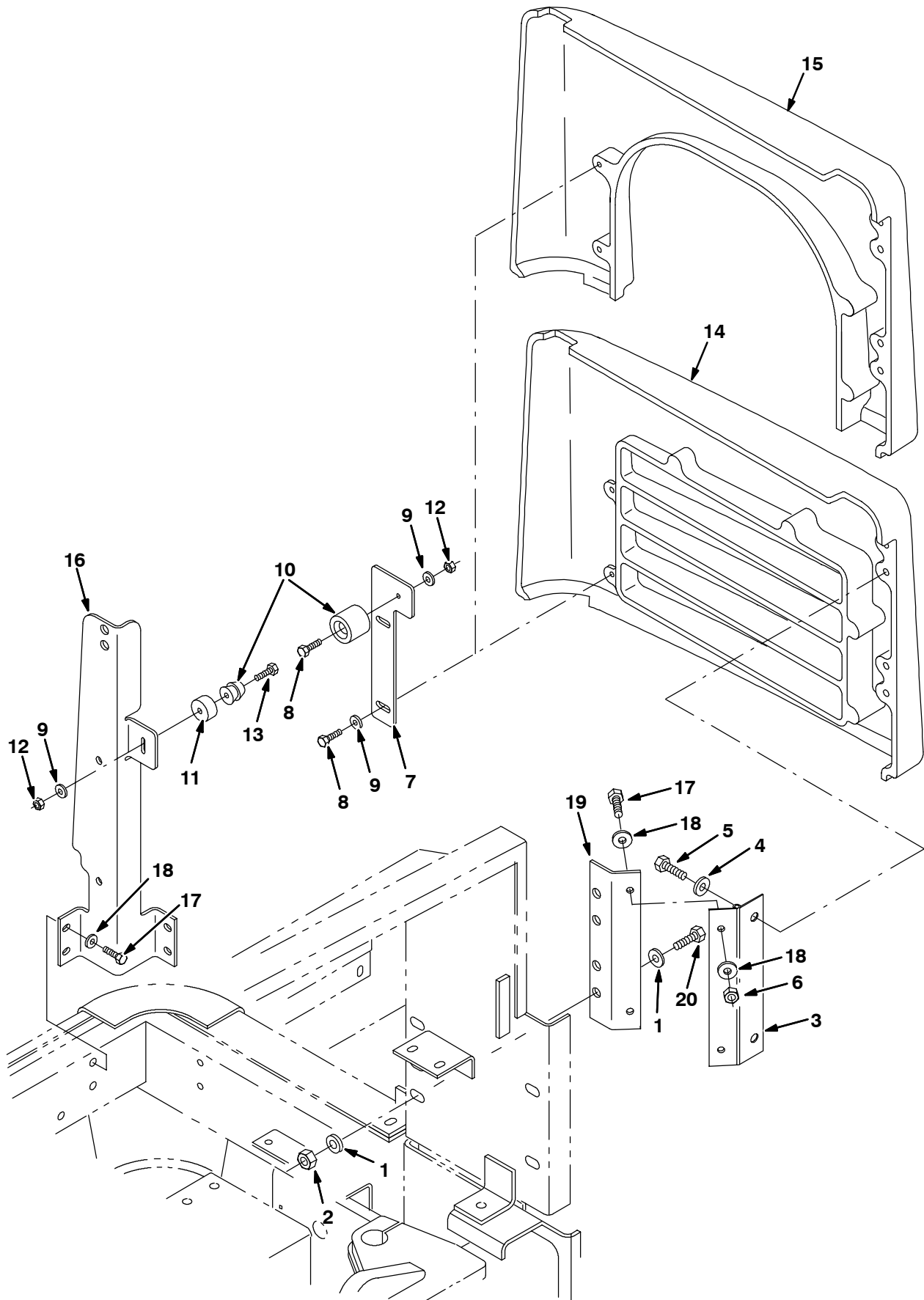


Fig. 7 - Right Grille Group

Ref.	Tennant Part No.	Machine Serial Number	Description	Qty.
1	36328	(000000-	) Washer, Belleville, .50	4
2	08711	(000000-	) Nut, Hex, Lock, M12 X 1.75,NI	2
3	383149	(000000-	) Hinge	1
4	32493	(000000-	) Washer, Flt, .50 Std	2
5	41345	(000000-	) Screw, Hex, M12 X 1.75 X 25, 8.8	2
6	39311	(000000-	) Nut, Hex, Std, M08 X 1.25	2
7	383184	(000000-	) Plate, Mtg, Latch	1
8	06942	(000000-	) Screw, Hex, M06 X 1.0 X 16, 8.8	3
9	32490	(000000-	) Washer, Flt, .25 Std	4
10	383185	(000000-	) Latch Assy, Door Holder, Rbr	1
11	383219	(000000-	) Spacer, .31 B, 1.25 Od, .62 L (LPG Machine Only)	1
12	08708	(000000-	) Nut, Hex, Lock, M06 X 1.0, NI	2
13	06945	(000000-	) Screw, Hex, M06 X 1.0 X 30, 8.8	1
14	379564	(000000-	) Grille, Right, (Gasoline)	1
15	379871	(000000-	) Grille, Right, (LPG)	1
16	383183	(000000-	) Channel, Post, Corner	1
17	16931	(000000-	) Screw, Hex, M08 X 1.25 X 20, 8.8	6
18	32491	(000000-	) Washer, Flt, .31 Std	8
19	383129	(000000-	) Bracket, Hinge	1
20	06967	(000000-	) Screw, Hex, M12 X 1.75 X 20, 8.8	2

Fig. 8 - Left Grille and Hydraulic Cooler Group

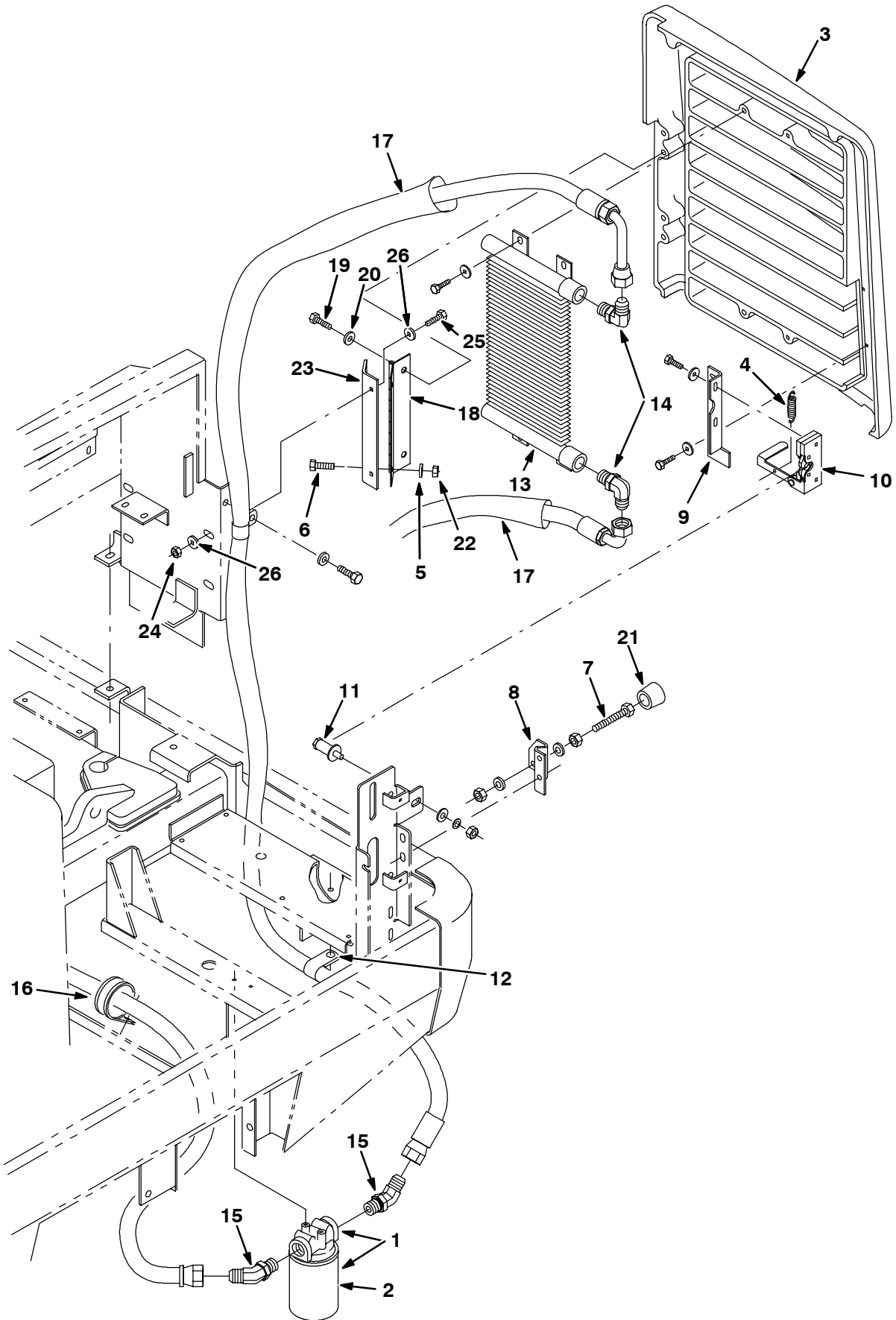


Fig. 8 - Left Grille and Hydraulic Cooler Group

Ref.	Tennant Part No.	Machine Serial Number	Description	Qty.
▽ 1	55619	(000000-	) Filter Assy, Spin-On 10Micron	1
▲ 2	55740	(000000-	) Filter Element Ph	1
3	379565	(000000-	) Grille, Left	1
4	59870	(000000-	) Sprng, Tens, 0.50 Odx.05 Wire 2.5L	1
5	32491	(000000-	) Washer, Flt, .31 Std	2
6	16931	(000000-	) Screw, Hex, M08 X 1.25 X 20, 8.8	2
7	55347	(000000-	) Scr-Hex .38-16x2.00 Full Thd	1
8	70248	(000000-	) Bracket, Rear Grill Stop Bolt	1
9	70252	(000000-	) Bracket, Mtg, Latch	1
10	59695	(000000-	) Latch, Hook, Lh	1
11	59192	(000000-	) Latch, Bolt	1
12	53466	(000000-	) Clamp, Hose	2
13	82798	(000000-	) Cooler-Hyd 12 0500	1
14	46481	(000000-	) Ftg-Hyd E90 Jm12/Om12	2
15	16081	(000000-	) Ftg-Hyd E45 Jm12/Om12	2
16	41016	(000000-	) Clamp-Cable, 2.25Dia 1.00Wth	1
17	87676	(000000-	) Sleeve-Nyln #24 30.0L	2
18	383149	(000000-	) Hinge	1
19	41345	(000000-	) Screw, Hex, M12 X 1.75 X 25, 8.8	2
20	32493	(000000-	) Washer, Flt, .50 Std	2
21	01318	(000000-	) Tip, Rubber	1
22	39311	(000000-	) Nut, Hex, Std, M08 X 1.25	2
23	383129	(000000-	) Bracket, Hinge	1
24	08711	(000000-	) Nut, Hex, Lock, M12 X 1.75,NI	2
25	69972	(000000-	) Screw, Hex, M12 X 1.75 X 40, 10.9	2
26	36328	(000000-	) Washer, Belleville, .50	4

Fig. 9 - Engine Cover Group

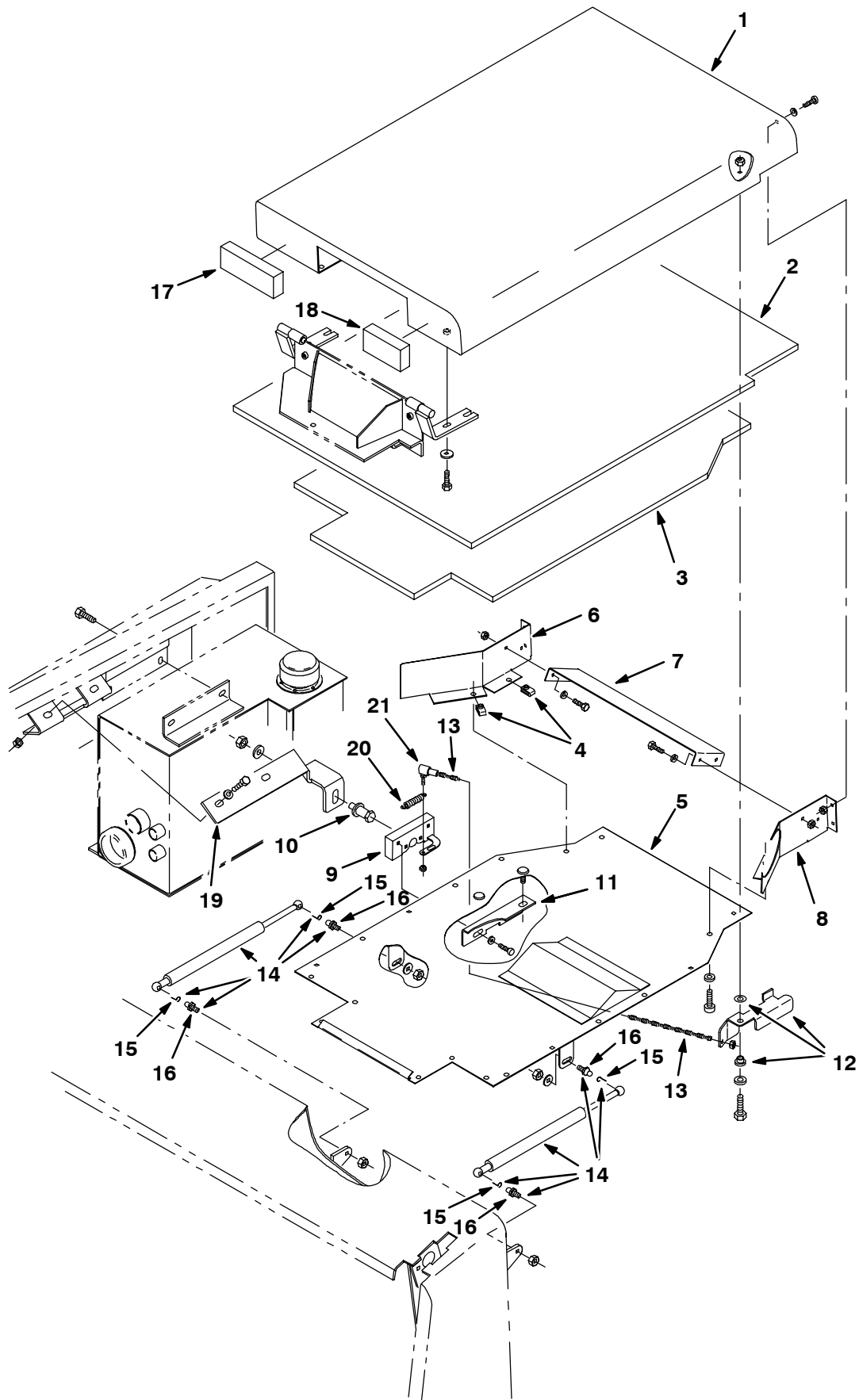


Fig. 9 - Engine Cover Group

Ref.	Tennant Part No.	Machine Serial Number	Description	Qty.	
1	58977	(000000-	) Cover Wldt, Engine	1	
2	59019	(000000-	) Foam, Engine Cover	1	
3	58999	(000000-	) Foam, Engine Cover, Bottom	1	
4	12271	(000000-	) Nut, U M 6X1.0 Pltd	20	
5	374523	(000000-	) Plate Wldt, Cover, Bottom	1	
6	69952	(000000-	) Plate, Deflector, Engine Cover	1	
7	58849	(000000-	) Bracket, Deflector, Eng Cover	1	
8	69951	(000000-	) Plate, Deflector, Eng Cover	1	
9	59514	(000000-	) Latch	1	
10	59192	(000000-	) Latch, Bolt	1	
11	70142	(000000-	) Bracket, Latch, Bolt, Eng Cover	1	
12	69907	(000000-	) Handle Assy, Latch, Eng Cover	1	
13	55048	(000000-	) Rod, Latch, Engine Cover	1	
▽	14	69906	(000000-	) Spring-Gas Assy, Eng Cover	2
▲	15	64595	(000000-	) Clip, Spring	2
▲	16	58494	(000000-	) Stud, Ball	2
	17	69986	(000000-	) Insulation, Acoustic, Engine Cover	1
	18	69987	(000000-	) Insulation, Acoustic, Engine Cover	1
	19	70136	(000000-	) Bracket, Latch	1
	20	53091	(000000-	) Sprng,Tens,0.50Odx.05Wire 1.0L	1
	21	14601	(000000-	) Balljoint .250-28	1

Fig. 10 - Engine Side Door Group

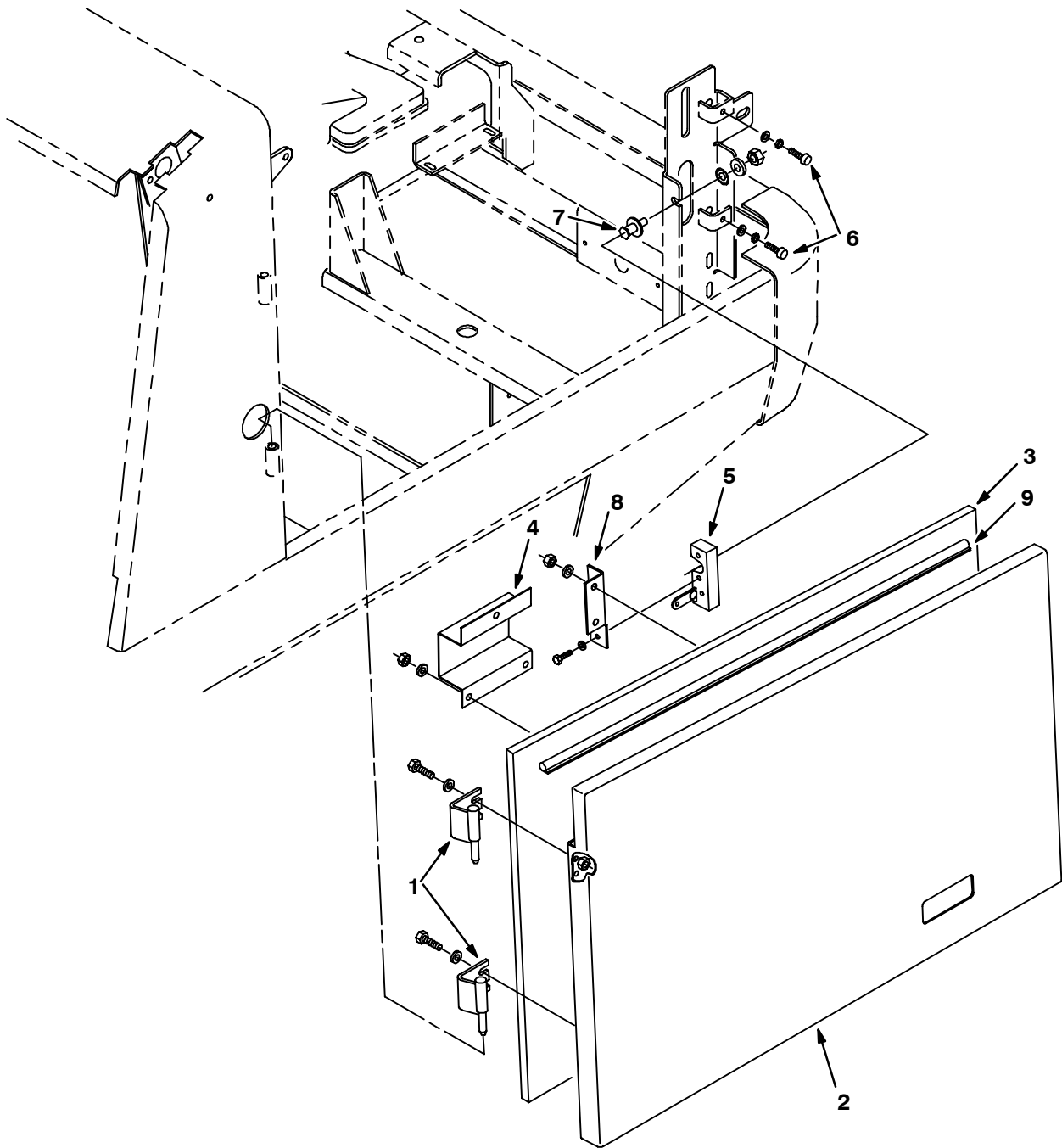




Fig. 10 - Engine Side Door Group

Ref.	Tennant Part No.	Machine Serial Number	Description	Qty.
1	59377	(000000-	) Hinge Wldt, Door, Engine	2
2	59830	(000000-	) Door Wldt	1
3	59018	(000000-	) Foam, Door, Engine, Side	1
4	59829	(000000-	) Bracket, Door	1
5	59661	(000000-	) Latch	1
6	75128	(000000-	) Spindle, Adjustment	2
7	72154	(000000-	) Bolt, Latch	1
8	59828	(000000-	) Bracket, Latch, Door	1
9	59647	(000000-	) Seal, Rubber	1

Fig. 11 - Steering and Firewall Group

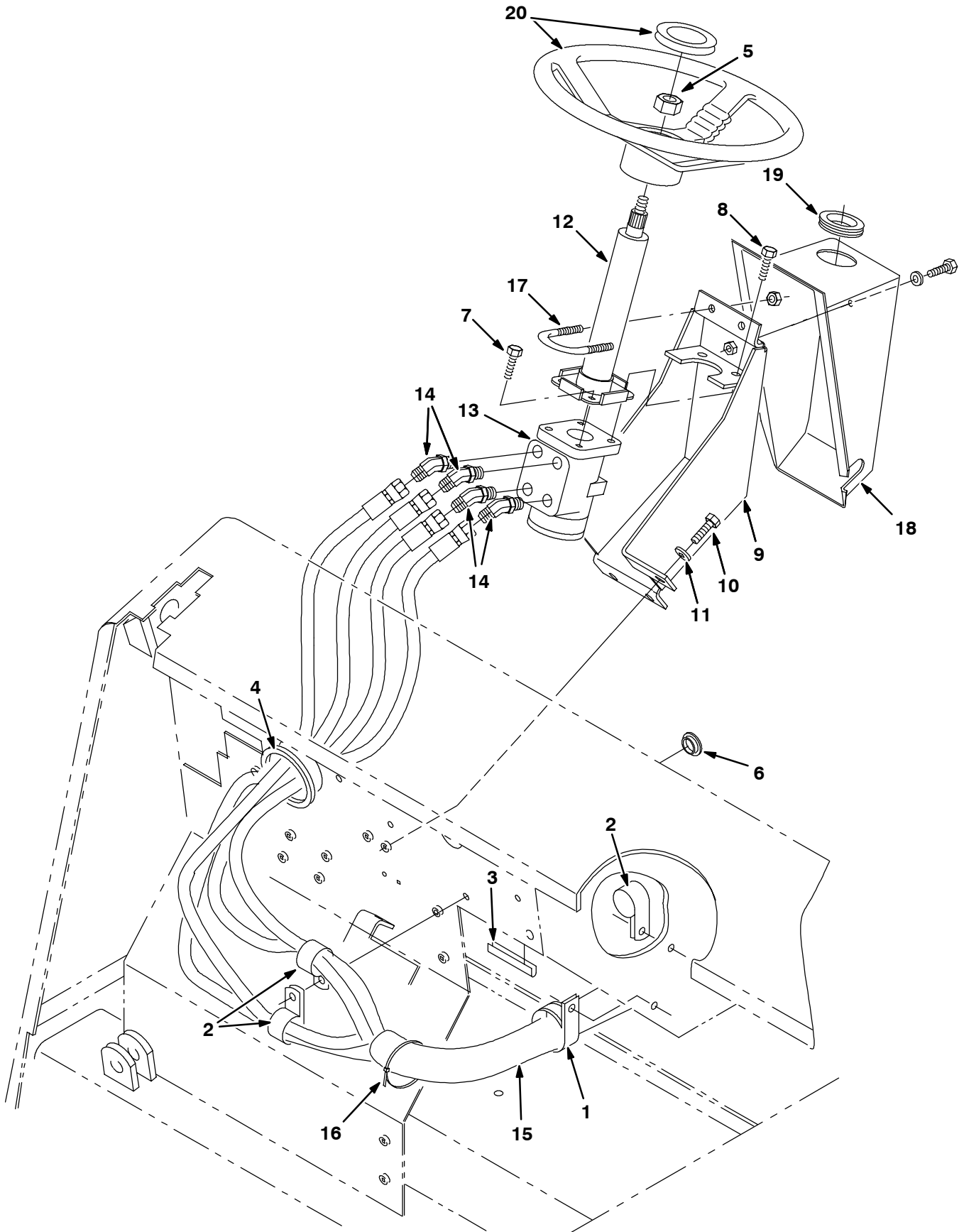


Fig. 11 - Steering and Firewall Group

Ref.	Tennant Part No.	Machine Serial Number	Description	Qty.	
1	41016	(000000-	) Clamp-Cable, 2.25Dia 1.00Wth	1	
2	53466	(000000-	) Clamp, Hose	3	
3	62595-3	(000000-	) Molding, Trim 11-14Ga 5.75	1	
4	62595-4	(000000-	) Molding, Trim 11-14Ga 10.00	1	
5	56185	(000000-	) Nut-Hx Jam M20x1.5 4 Pltd	1	
6	55035	(000000-	) Plug, Plastic 1.00 D	1	
7	02994	(000000-	) Scr Hex Ss .38-16 x0.75	2	
8	02995	(000000-	) Scr Hex Ss .38-16 x1.25	2	
9	383127	(000000-	) Bracket Wldt, Valve	1	
10	16735	(000000-	) Screw, Hex, M08 X 1.25 X 16, 8.8	4	
11	32491	(000000-	) Washer, Flt, .31 Std	2	
▽	12	57935	(000000-	) Column, Steering	1
▲		74142	(000000-	) Cap, Tube	1
13	74172	(000000-	) Steer Control, Hyd (See Breakdowns)	1	
14	47522	(000000-	) Ftg-Hyd E45 Jm06/Om06	4	
15	34330	(000000-	) Sleeve-Nyln #38 30.0L	1	
16	49263	(000000-	) Tie, Cable 3.00D Max 11.41Lg	6	
17	58748	(000000-	) U - Bolt	1	
18	56362	(000000-	) Cover, Steering	1	
19	54345	(000000-	) Grommet,Rbr,1.62ld,For .13Matl	1	
20	56398	(000000-	) Wheel, Steering, 14 Dia X 36T	1	

**Fig. 12 - Instrument Panel Assembly**

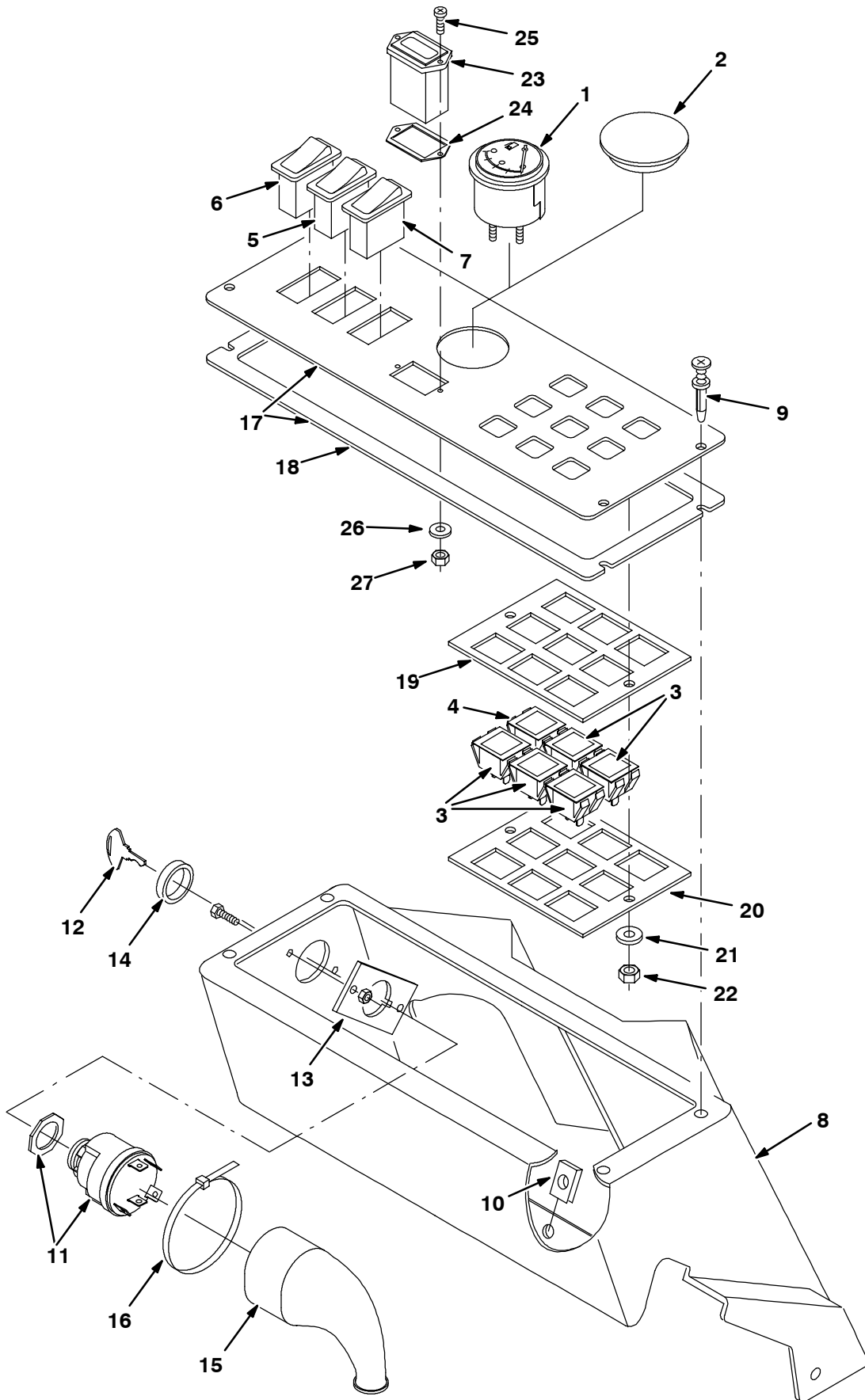


Fig. 12 - Instrument Panel Assembly

Ref.	Tennant Part No.	Machine Serial Number	Description	Qty.	
1	34813	(000000-	) Gauge, Fuel, 0-90ohm 8-18vdc (Gas Machine Only)	1	
2	82747	(000000-	) Button, Plug, 2.09H .05-.06 [Black Stl] (LPG Machine Only)	1	
3	361075	(000000-	) Light, Panl, 14vdc, , 1.1 X 1.0	6	
4	361075	(000000-	) Light, Panl, 14vdc, , 1.1 X 1.0 (LPG Machine Only)	1	
5	398528	(000000-	) Switch, Rocker, Dpdt, On-Off-Mom	1	
6	398508	(000000-	) Switch, Rocker, Dpdt, Mom-Off-Mom	1	
7	392171	(000000-	) Switch, Rocker, Dpdt On - Off - On	1	
8	383211	(000000-	) Panel, Instmt, W/ Label, [6500]	1	
9	21246	(000000-	) Rivet, Plstc, .325d X 0.787	4	
10	12271	(000000-	) Nut, U M 6X1.0 Pltd	2	
▽	11	87536	(000000-	) Switch Ignition	1
▲	12	87866	(000000-	) Key Set, Switch Ku	1
	13	19768	(000000-	) Plate, Reinforcement-Ignition	1
	14	382516	(000000-	) Boot, Switch	1
	15	375203	(000000-	) Boot, Switch, Rear	1
	16	49263	(000000-	) Tie, Cable, Nyl, 11.4l .19w 3.0 Max D	1
▽	17	383212	(000000-	) Panel, Instmt, W/ Label, [6500]	1
▲	18	383220	(000000-	) Gasket	1
	19	383130	(000000-	) Seal, Foam	1
	20	383131	(000000-	) Panel, Indicator Light	1
	21	32490	(000000-	) Washer, Flt, .25 Std	2
	22	08708	(000000-	) Nut, Hex, Lock, M06 X 1.0, NI	2
	23	31988	(000000-	) Gauge, Hourmeter, Electronic	1
	24	222683	(000000-	) Gasket, Hourmeter	1
	25	09146	(000000-	) Screw, Pan, M03 X 0.5 X 12, 4.8	2
	26	39658	(000000-	) Washer, Lock, Int, #04	2
	27	01754	(000000-	) Nut, Hex, Std, M03 X 0.5	2

Fig. 13 - Side Instrument Panel Group

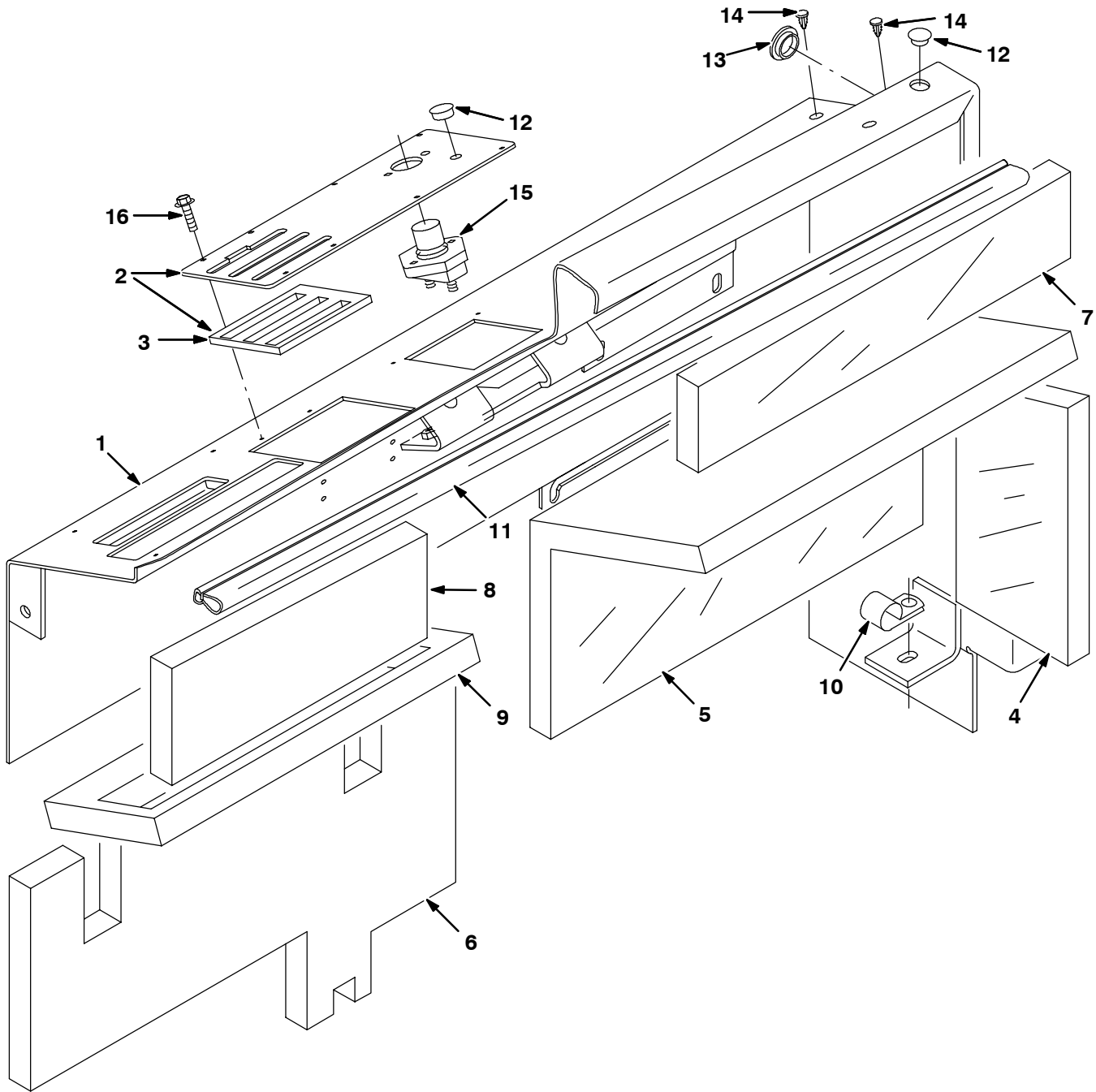


Fig. 13 - Side Instrument Panel Group

Ref.	Tennant Part No.	Machine Serial Number	Description	Qty.
1	383213	(000000-	) Panel, Side, W/ Label, [6500]	1
▽ 2	383214	(000000-	) Panel, Valve Handle, W/ Label, [6500]	1
▲ 3	383180	(000000-	) Seal, Handle, Valve	1
4	59622	(000000-	) Insulation, Acoustic	1
5	59621	(000000-	) Insulation, Acoustic	1
6	59628	(000000-	) Insulation, Acoustic	1
7	59623	(000000-	) Insulation, Acoustic	1
8	59629	(000000-	) Insulation, Acoustic	1
9	383179	(000000-	) Insulation, Acoustic	1
10	69234	(000000-	) Clamp-Cable, 1.00Dia. .62Wth	2
11	59647	(000000-	) Seal, Rubber	1
12	01314	(000000-	) Plugbtn .38H .03-.12 Blacknyl (LPG only)	2
13	55035	(000000-	) Plug, Plastic, 1.00 D	1
14	77399	(000000-	) Clip, Pine-tree .236h Plastic	2
15	44078	(000000-	) Switch, Pushmom, Spst100A 12V	1
16	16944	(000000-	) Screw, Hex, M04 X 0.7 X 10, Fmg	8

Fig. 14 - Circuit Breaker and Relay Group

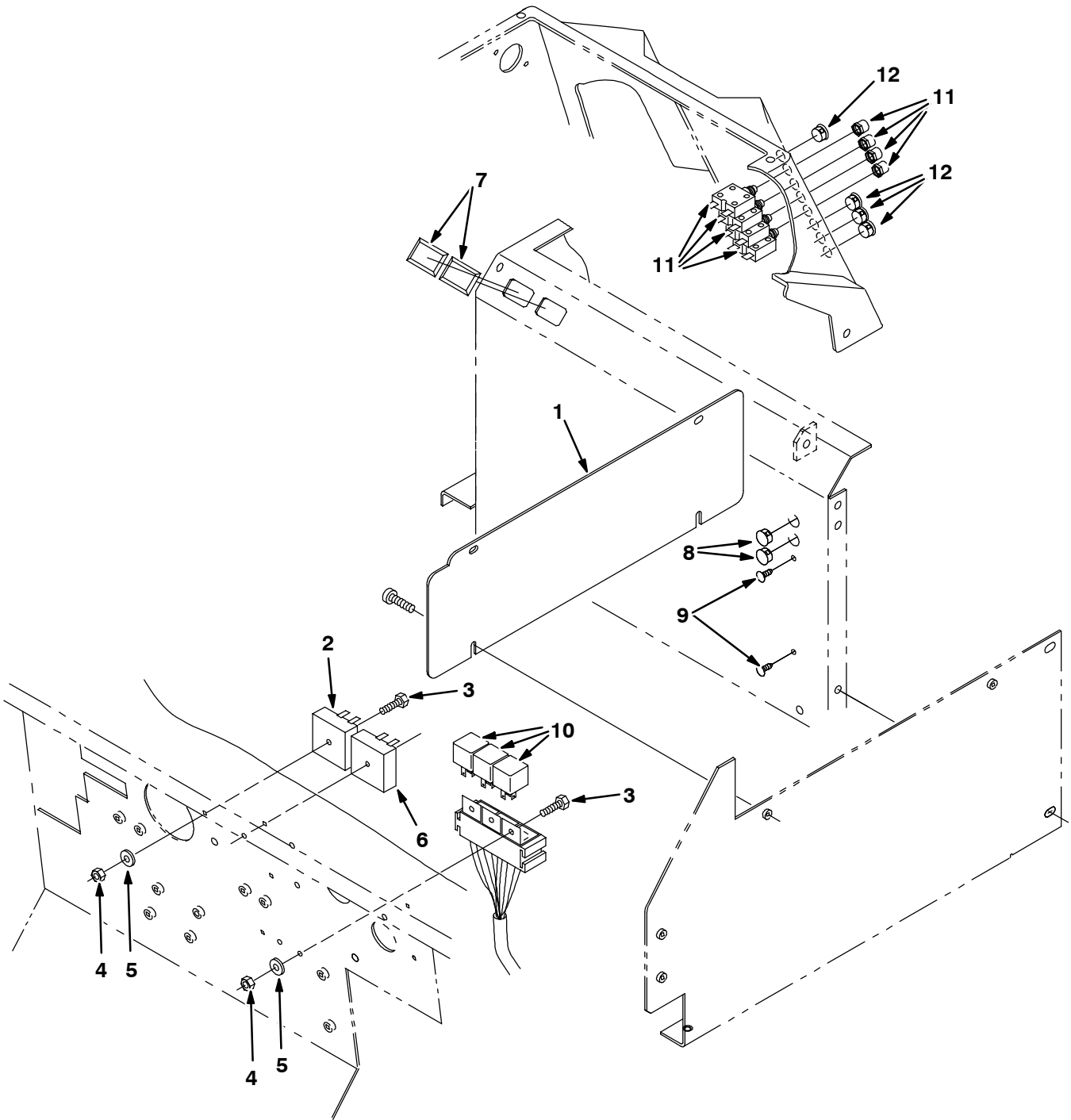




Fig. 14 - Circuit Breaker and Relay Group

Ref.	Tennant Part No.	Machine Serial Number	Description	Qty.
1	383189	(000000-	) Plate, Access	1
2	379656	(000000-	) Timer	1
3	06942	(000000-	) Screw, Hex, M06 X 1.0 X 16, 8.8	5
4	08708	(000000-	) Nut, Hex, Lock, M06 X 1.0, NI	5
5	32490	(000000-	) Washer, Flt, .25 Std	5
6	379665	(000000-	) Module, Shaker, 12V	1
7	57772	(000000-	) Plate-Cover	2
8	57167	(000000-	) Button, Plug, 0.62h .03-.12 [Black Nyl]	2
9	77399	(000000-	) Clip, [Pine-Tree], .236h, Plstc	2
10	57804	(000000-	) Relay, 12vdc, 40a, Spdt, [Potter]	3
11	383722	(000000-	) Circuitbreaker, 15.0a	5
12	33807	(000000-	) Button, Plug, 0.44h .03-.12 [Black Nyl]	4

Fig. 15 - Engine Group

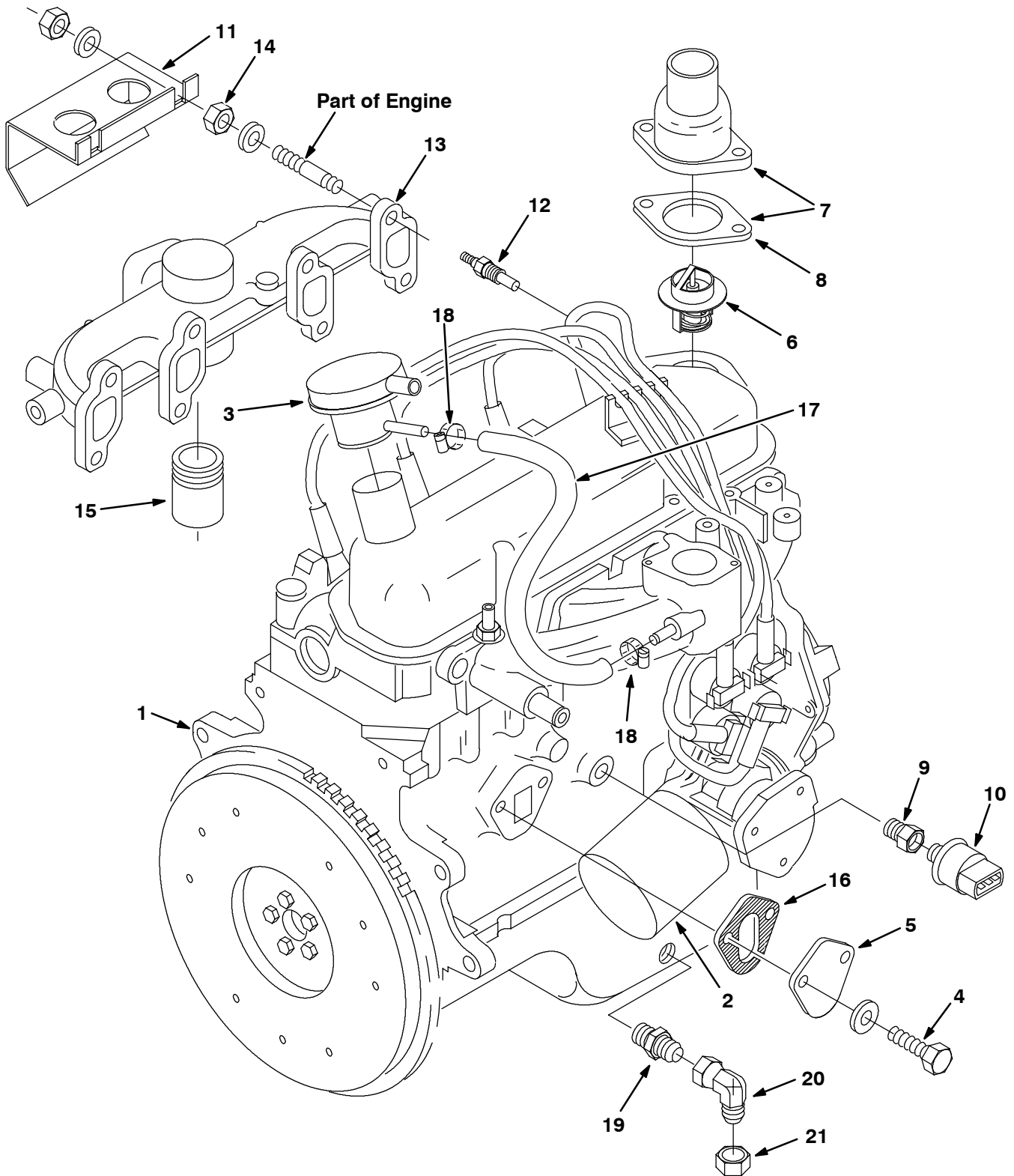


Fig. 15 - Engine Group

Ref.	Tennant Part No.	Machine Serial Number	Description	Qty.
▽	374643	(000000-	) Engine Assy, Vsg-413-89	1
▲	1 30550	(000000-	) Engine, Vsg-413 (See Engine Breakdown)	1
▲	2 19205	(000000-	) Filter, Eng Oil, Spin-On	1
▲	3 10795	(000000-	) Cap, Fill, Oil/PCV Breather	1
▲	4 71447	(000000-	) Bolt	1
▲	5 71446	(000000-	) Cover	1
▲	6 37327	(000000-	) Thermostat, 180 Degree	1
▲▽	7 19689	(000000-	) Connector,Outlet Cylinder Head w/gasket	1
▲▲	8 54911-25	(000000-	) Gasket - Thermostat Hsg	1
	9 17414	(000000-	) Ftg-Hyd Str Pm04/Pf02	1
	10 79399	(000000-	) Switch, Pressure, Oil	1
	11 30468	(000000-	) Shield Assy, Exhaust	1
	12 383146	(000000-	) Switch, Temp	1
	13 30316	(000000-	) Manifold, Exhaust	1
	14 08165	(000000-	) Nut Hx Stover M 8X1.25	8
	15 24013	(000000-	) Ftg,Pipe,Nip.Blk1.25Ptx2.0Lg L	1
	16 02887	(000000-	) Gasket, Fuel Pump 1.1-1.6Liter	1
	17 76589-2	(000000-	) Hose Rbr,0.38 Idx .062D 12.0Lg	1
	18 54333	(000000-	) Clamp-Wormdrive, 0.31- 0.88D	2
	19 19200	(000000-	) Ftg-Metric Str Omm14/Jm06	1
	20 47504	(000000-	) Ftg-Hyd E90 Jm06/Jf06	1
	21 40625	(000000-	) Ftg-Hyd Cap Jf06	1

Fig. 16 - Engine Mount Group

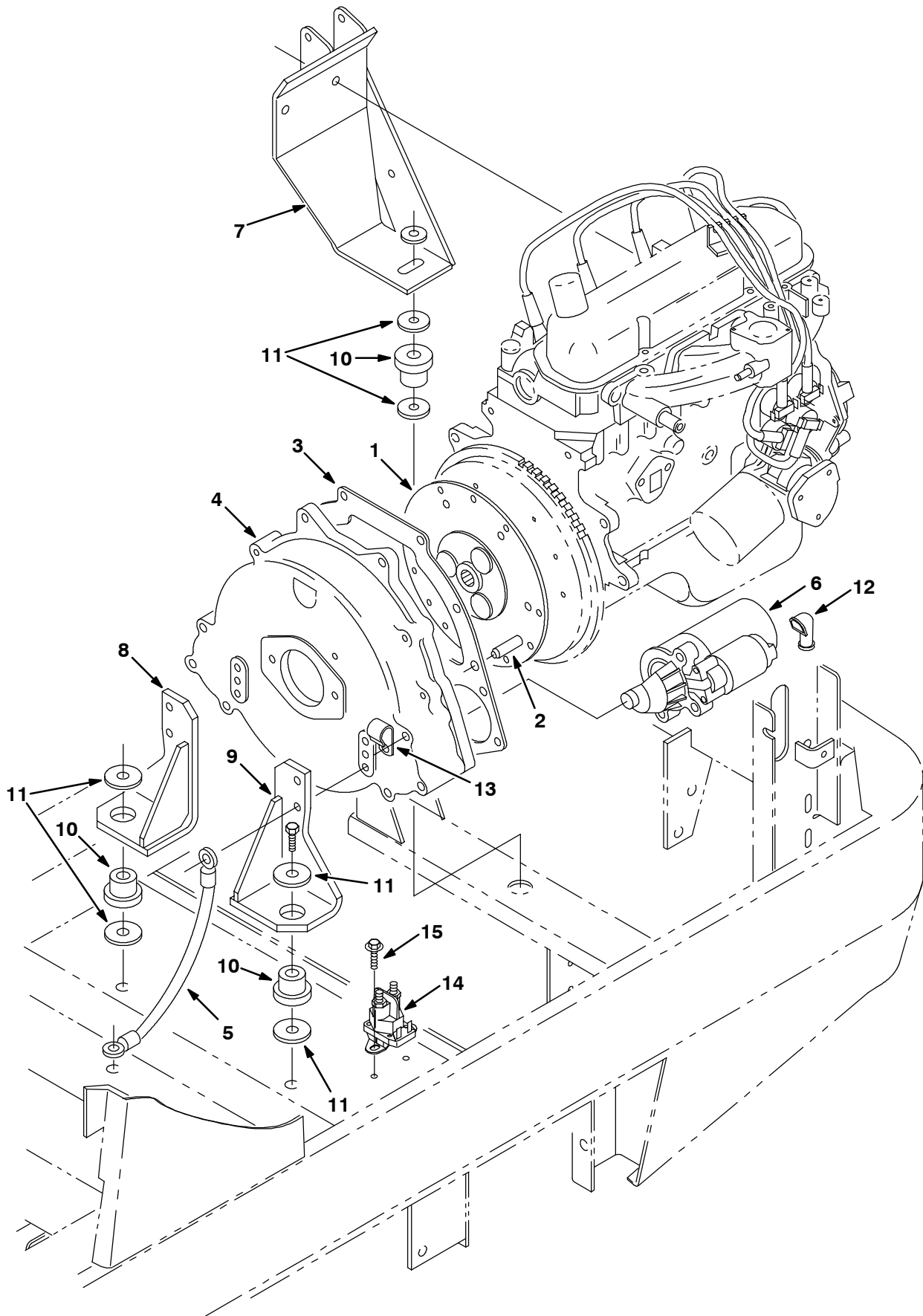


Fig. 16 - Engine Mount Group

Ref.	Tennant Part No.	Machine Serial Number	Description	Qty.
1	19252	(000000-	) Coupling Assy, Flywheel	1
2	54911-16	(000000-	) Dowel,Cyl.Block To Flywhl.Hsg.	2
3	70262	(000000-	) Ring, Locating, Starter	1
4	70263	(000000-	) Housing, Flywheel	1
5	57773	(000000-	) Wire Ass'Y-Elect.,Ground	1
6	70239	(000000-	) Starter, Ford 1.8 Hp	1
7	374513	(000000-	) Bracket Wldt, Engine	1
8	57755	(000000-	) Bracket Wldt,Mtg,Eng, Rear, Rh	1
9	57754	(000000-	) Bracket Wldt,Mtg,Eng,Rear, Lh	1
10	51176	(000000-	) Dampner, Engine	3
11	04414	(000000-	) Washer, Flat	6
12	02076	(000000-	) Cover, Terminal	1
13	30407	(000000-	) Clip, Keeper, Open	1
14	383732	(000000-	) Contactor, 12vdc, No	1
15	361339	(000000-	) Scr-Hexfmgm 6x1.0 16 Pltd	2

Fig. 17 - Carburetor Group, Gasoline

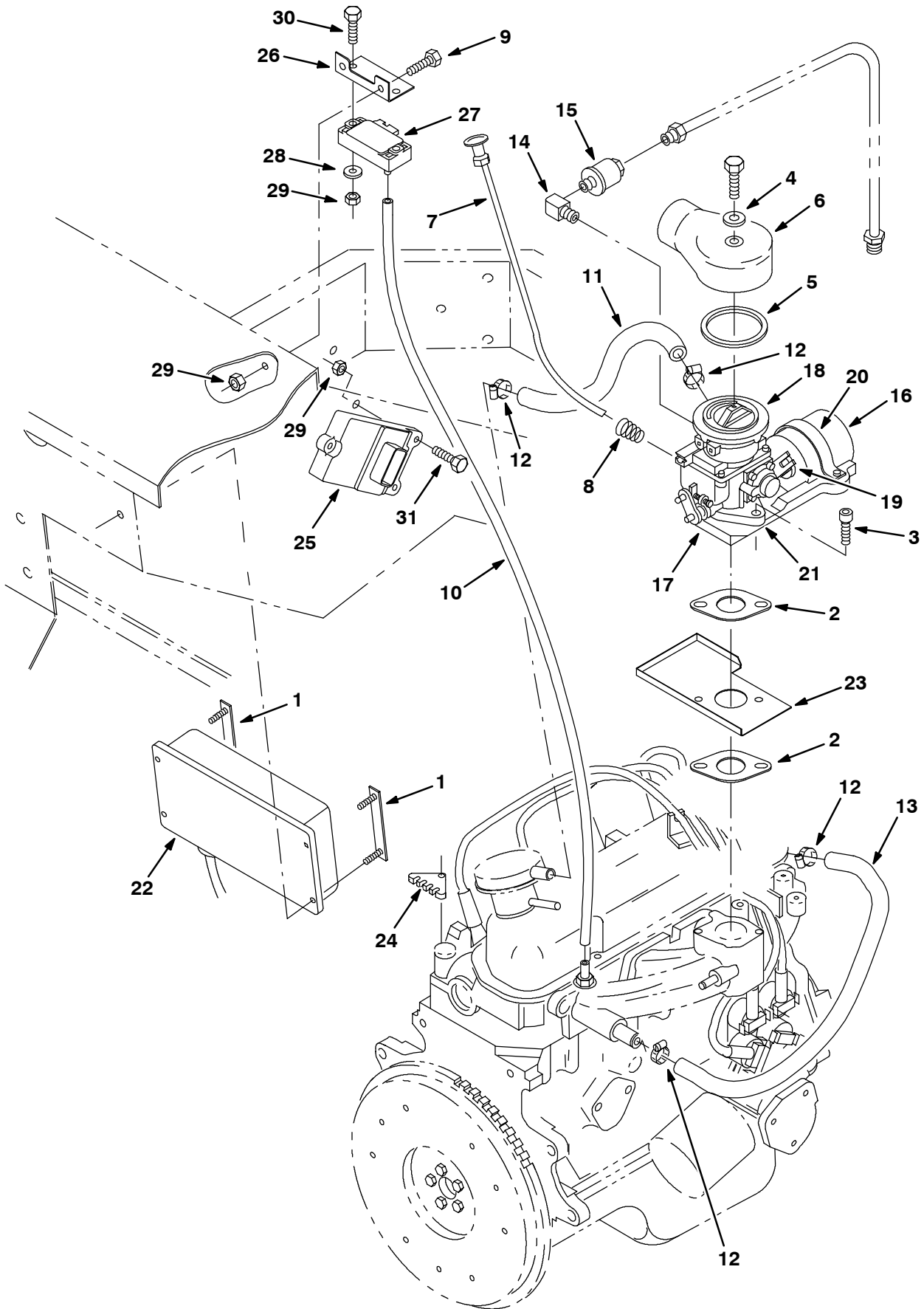


Fig. 17 - Carburetor Group, Gasoline

Ref.	Tennant Part No.	Machine Serial Number	Description	Qty.
1	59935	(000000-	) Plate	2
2	74443	(000000-	) Gasket	2
3	33951	(000000-	) Screw, Soc, M06-1.0 X 20,12.9	2
4	24924	(000000-	) Washer	1
5	16738	(000000-	) Gasket	1
6	57934	(000000-	) Adaptor, Elbow, Carburetor	1
7	69266	(000000-	) Cable, Choke	1
8	58846	(000000-	) Spring, Compression	1
9	06944	(000000-	) Screw, Hex, M06 X 1.0 X 25, 8.8	5
10	39780	(000000-	) Hose, Vacuum	1
11	55195	(000000-	) Hose, Molded	1
12	63810	(000000-	) Clamp, Wormdrive	4
13	31543	(000000-	) Hose, Heater	1
▽	374639	(000000-	) Governor, Gas	1
▲▽	374638	(000000-	) Governor, Gas	1
▲▲	14 11984	(000000-	) Fitting, Elbow	1
▲▲	15 36050	(000000-	) Filter, Fuel	1
▲▲	16 83849	(000000-	) Actuat	1
▲▲	17 83682	(000000-	) Bracket	1
▲▲	18 374637	(000000-	) Carburetor	1
▲▲	02738	(000000-	) Kit, Carburetor	1
▲▲	19 83684	(000000-	) Linkage Kit	1
▲▲	20 83685	(000000-	) Strap. Mounting, Actuator	1
▲▲	21 74443	(000000-	) Gasket	1
▲	22 374127	(000000-	) Kit, Repl, Control Unit	1
23	374527	(000000-	) Shield, Drip	1
24	374529	(000000-	) Clamp, Plug Wire	1
25	375412	(000000-	) Module, Control, Ignition	1
26	375414	(000000-	) Bracket, Sensor, Map	1
27	375413	(000000-	) Sensor, Map	1
28	19066	(000000-	) Washer, Flt, #10	2
29	08708	(000000-	) Nut, Hex, Lock, M06 X 1.0, NI	7
30	06945	(000000-	) Screw, Hex, M06 X 1.0 X 30, 8.8	2

Fig. 18 - Carburetor Group, LPG

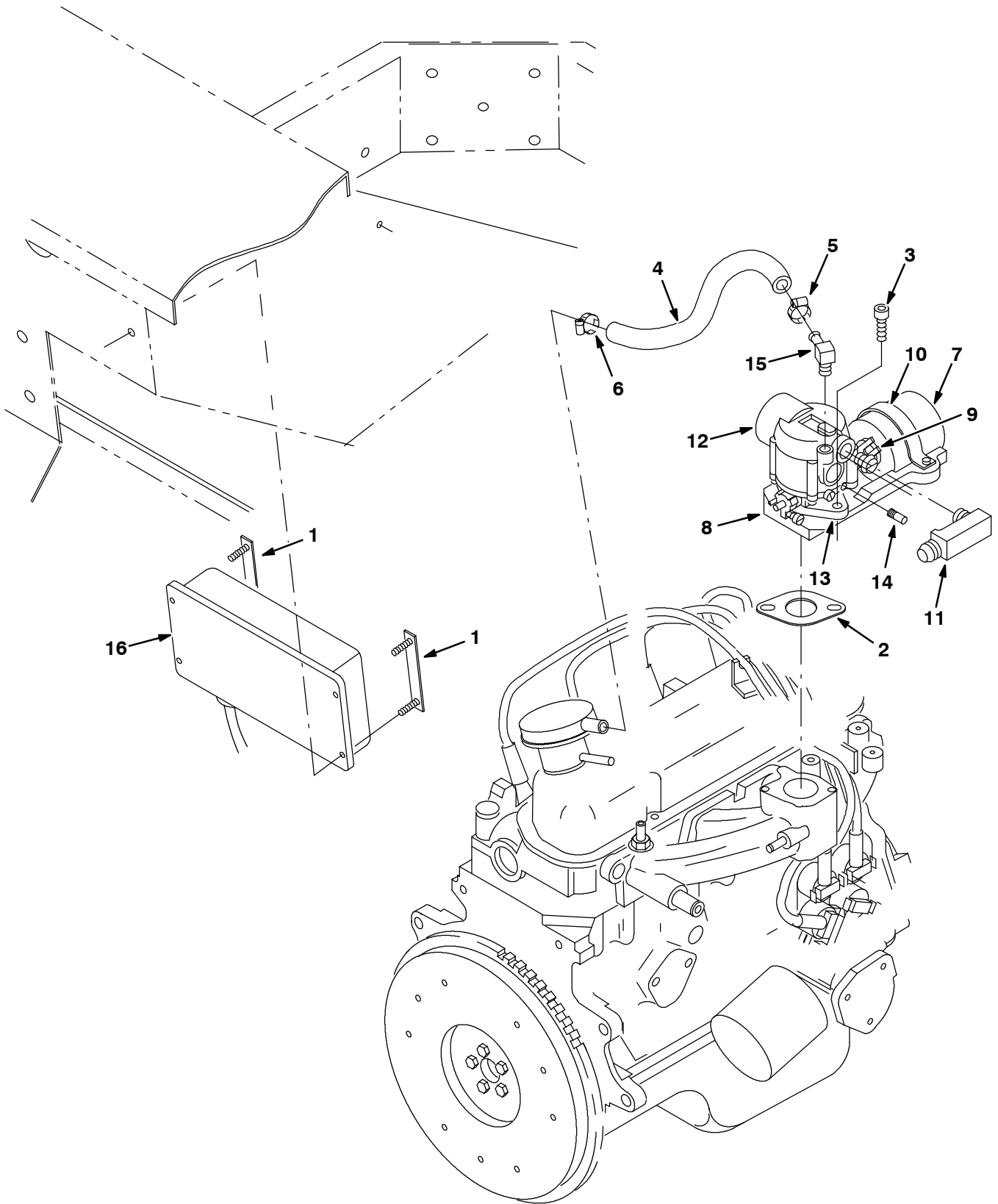




Fig. 18 - Carburetor Group, LPG

Ref.	Tennant Part No.	Machine Serial Number	Description	Qty.
1	59935	(000000-	) Plate	1
2	74443	(000000-	) Gasket	1
3	33951	(000000-	) Screw, Soc, M06-1.0 X 20,12.9	2
4	55195	(000000-	) Hose, Molded	1
5	43844	(000000-	) Clamp, Wormdrive	2
6	63810	(000000-	) Clamp, Wormdrive	1
▽	71436	(000000-	) Governor, Lpg	1
▲▽	71444	(000000-	) Governor, Lpg	1
▲▲	7 83849	(000000-	) Actuator	1
▲▲	8 83682	(000000-	) Bracket	1
▲▲	9 83684	(000000-	) Linkage Kit	1
▲▲	10 83685	(000000-	) Strap. Mounting, Actuator	1
▲▲	11 84641	(000000-	) Ftg-Hyd E90 Spcl	1
▲▲	12 73017	(000000-	) Carburetor, Lpg, With Gasket	1
▲▲	13 74443	(000000-	) Gasket	1
▲▲	14 74402	(000000-	) Fitting, Special	1
▲▲	15 53029	(000000-	) Fitting, Brass, Elbow	1
▲▲	16 374127	(000000-	) Kit, Repl., Control Unit	1

Fig. 19 - Vaporizer Group, LPG

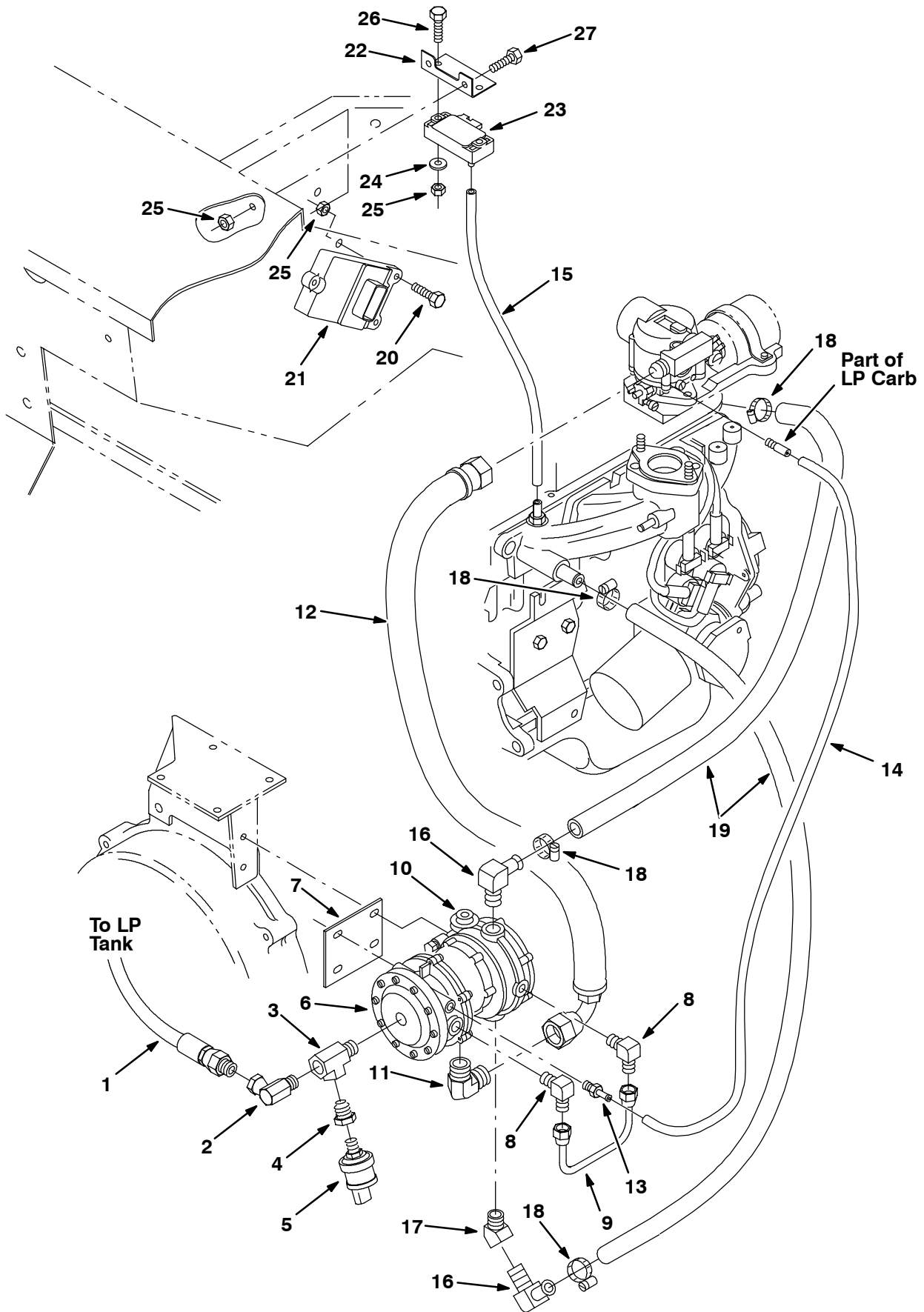


Fig. 19 - Vaporizer Group, LPG

Ref.	Tennant Part No.	Machine Serial Number	Description	Qty.	
1	19760	(000000-	) Hose, LPG, Spl, .25 I.D. 55.0L	1	
2	11442-1	(000000-	) Ftg-El90 Npt/Npt S04Pf-04Pm	1	
3	56976A	(000000-	) Ftg-Tee Npt 04Pm- 04Pf- 04Pf	1	
4	17414	(000000-	) Ftg-Hyd Str Pm04/Pf02	1	
5	23156	(000000-	) Switch, Pressure, LPG	1	
▽	6	73020	(000000-	) Filter, Fuellock	1
▲	65527	(000000-	) Repair Kit, Fuellock	1	
7	59809	(000000-	) Bracket, Mtg, Vaporizer	1	
8	52424	(000000-	) Ftg-Hyd E90 Pm04/Jm06	2	
9	59808	(000000-	) Fuelline,.375 Od	1	
▽	10	374648	(000000-	) Vaporizer, LPG	1
▲	374649	(000000-	) Vaporizer Repair Kit Im	1	
▲	374532	(000000-	) High Alt Vaporizer Spring Im	1	
11	07598	(000000-	) Ftg-Brs E90 Pm08/Sm08	1	
12	79422	(000000-	) Hose-Lpg Med08 Spcl S08jf/08j9	1	
13	40607	(000000-	) Ftg-Brs Str Bm03/Pm02	1	
14	07464	(000000-	) Hose, Vacuum .16 Id X 19.0 Lg	1	
15	39780-1	(000000-	) Hose Vac.,Rubber, .16Id,28.0L	1	
16	51839	(000000-	) Ftg-Brs E90 Em10/Pm06	2	
17	01997	(000000-	) Ftg-Hyd Brass Npt/Npt 06Pm/06P	1	
18	63810	(000000-	) Clamp-Wormdrive, 0.56- 1.06D	4	
19	31543	(000000-	) Hose, Heater	2	
20	06944	(000000-	) Screw, Hex, M06 X 1.0 X 25, 8.8	5	
21	375412	(000000-	) Module, Control, Ignition	1	
22	375414	(000000-	) Bracket, Sensor, Map	1	
23	375413	(000000-	) Sensor, Map	1	
24	19066	(000000-	) Washer, Fit, #10	2	
25	08708	(000000-	) Nut, Hex, Lock, M06 X 1.0, NI	7	
26	06945	(000000-	) Screw, Hex, M06 X 1.0 X 30, 8.8	2	

Fig. 20 - Air Cleaner Group

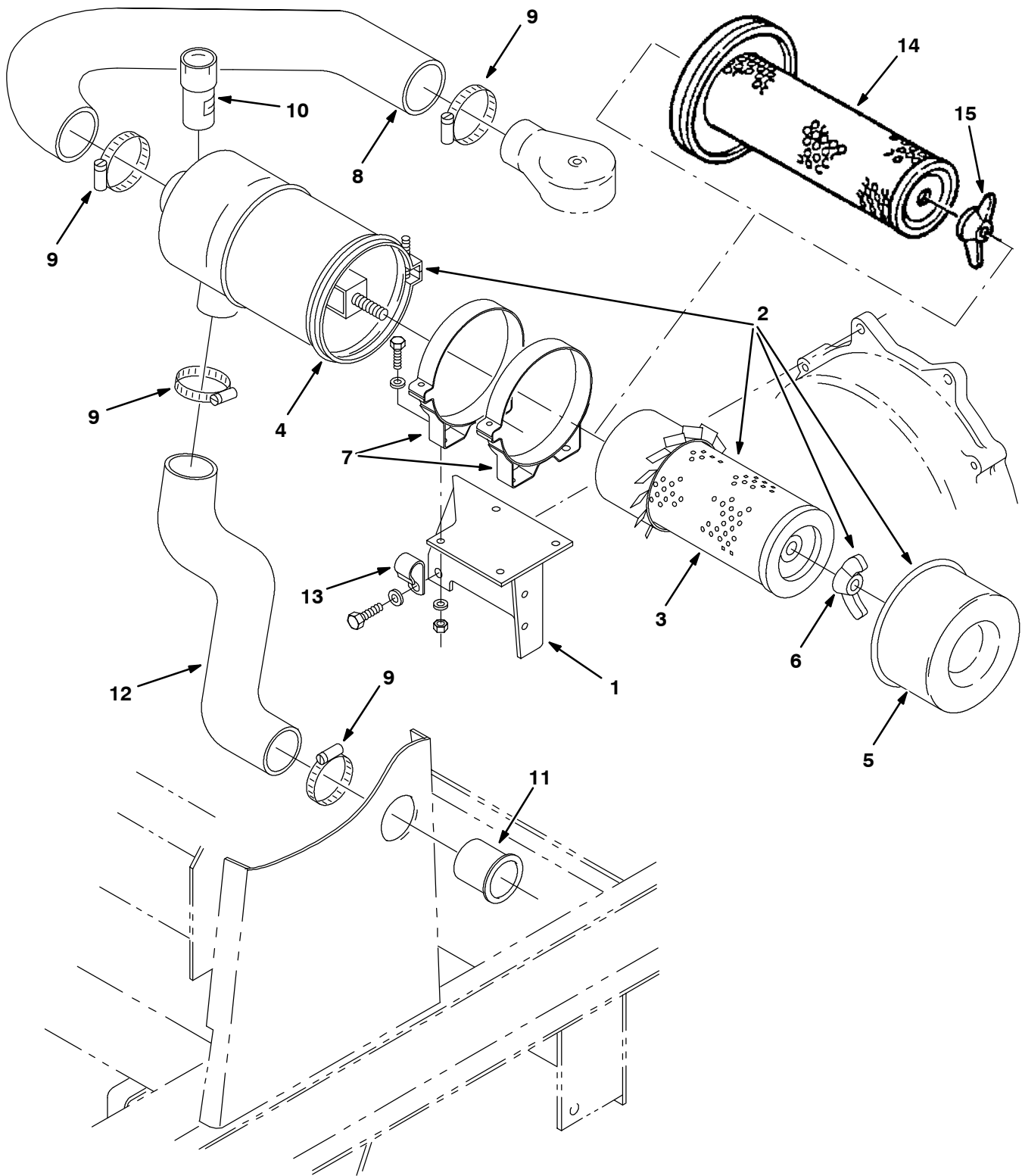
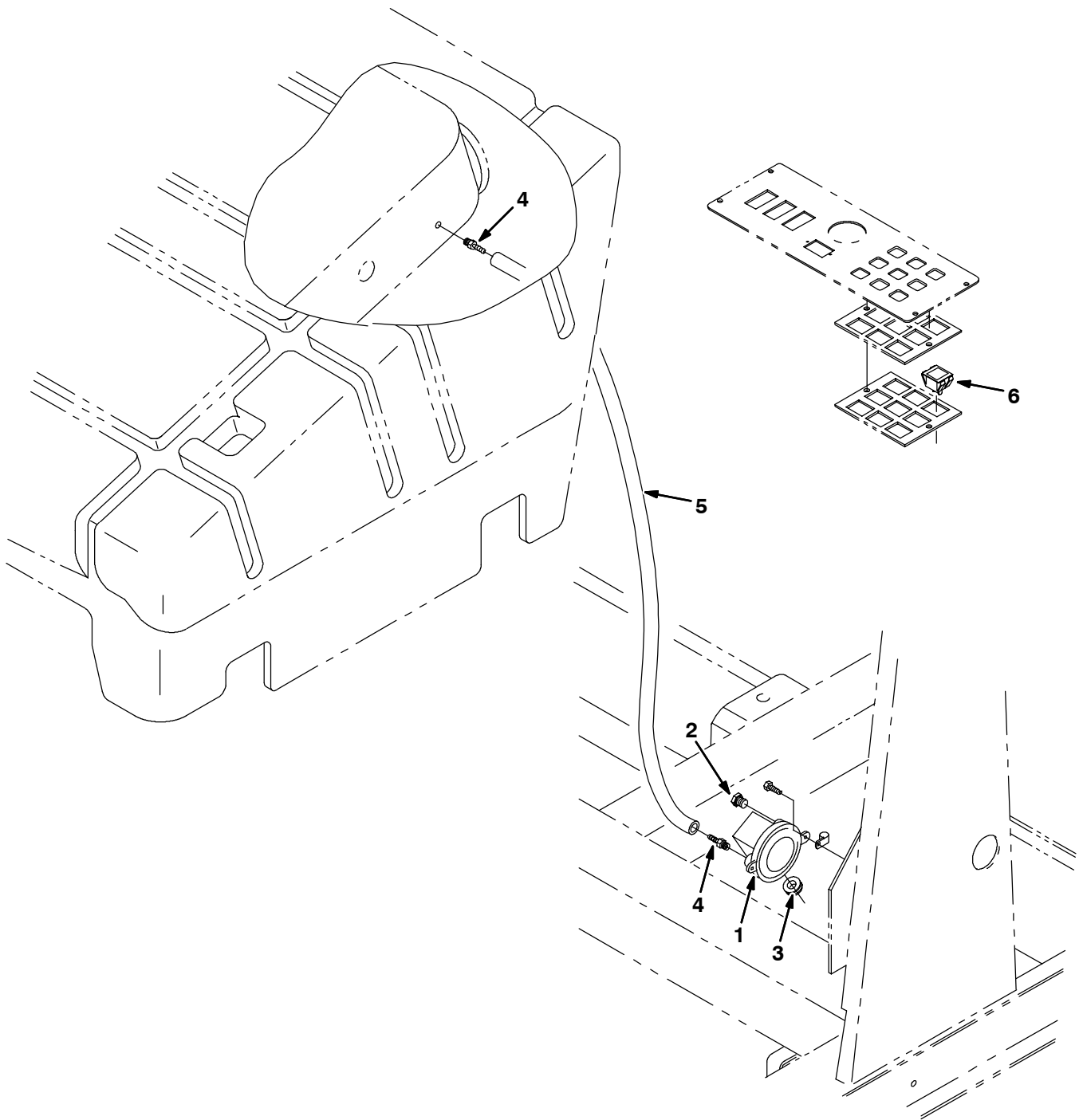


Fig. 20 - Air Cleaner Group

Ref.	Tennant Part No.	Machine Serial Number	Description	Qty.
	1	53783	(000000- ) Bracket, Mtg, Air Cleaner	1
▽	2	58538	(000000- ) Air Cleaner	1
▲	3	58120	(000000- ) Element, Air Filter	1
▲	4	02740	(000000- ) Clamp Assembly Dn	1
▲	5	02741	(000000- ) Cup Assembly Dn	1
▲	6	07562	(000000- ) Nut, Wing .44-20 Special	1
	7	51560-3	(000000- ) Clamp,Mounting,Cyclopac Aircl.	2
	8	31524	(000000- ) Hose, Molded, Air Intake	1
	9	14432	(000000- ) Clamp-Wormdrive, 1.81- 2.75D	4
	10	03026	(000000- ) Indicator,Service,Air Filter	1
	11	58346	(000000- ) Tube - Carb. Air Intake	1
	12	59811	(000000- ) Tube, Inlet, A Clnr	1
	13	30407	(000000- ) Clip, Keeper, Open	1
▽		07565	(000000- ) Element Kit, Air, Heavy Duty	1
▲	14	58121	(000000- ) Element, Safety	1
▲	15	07562	(000000- ) Wingnut	1

**Fig. 21 - Clogged Filter Switch Kit**

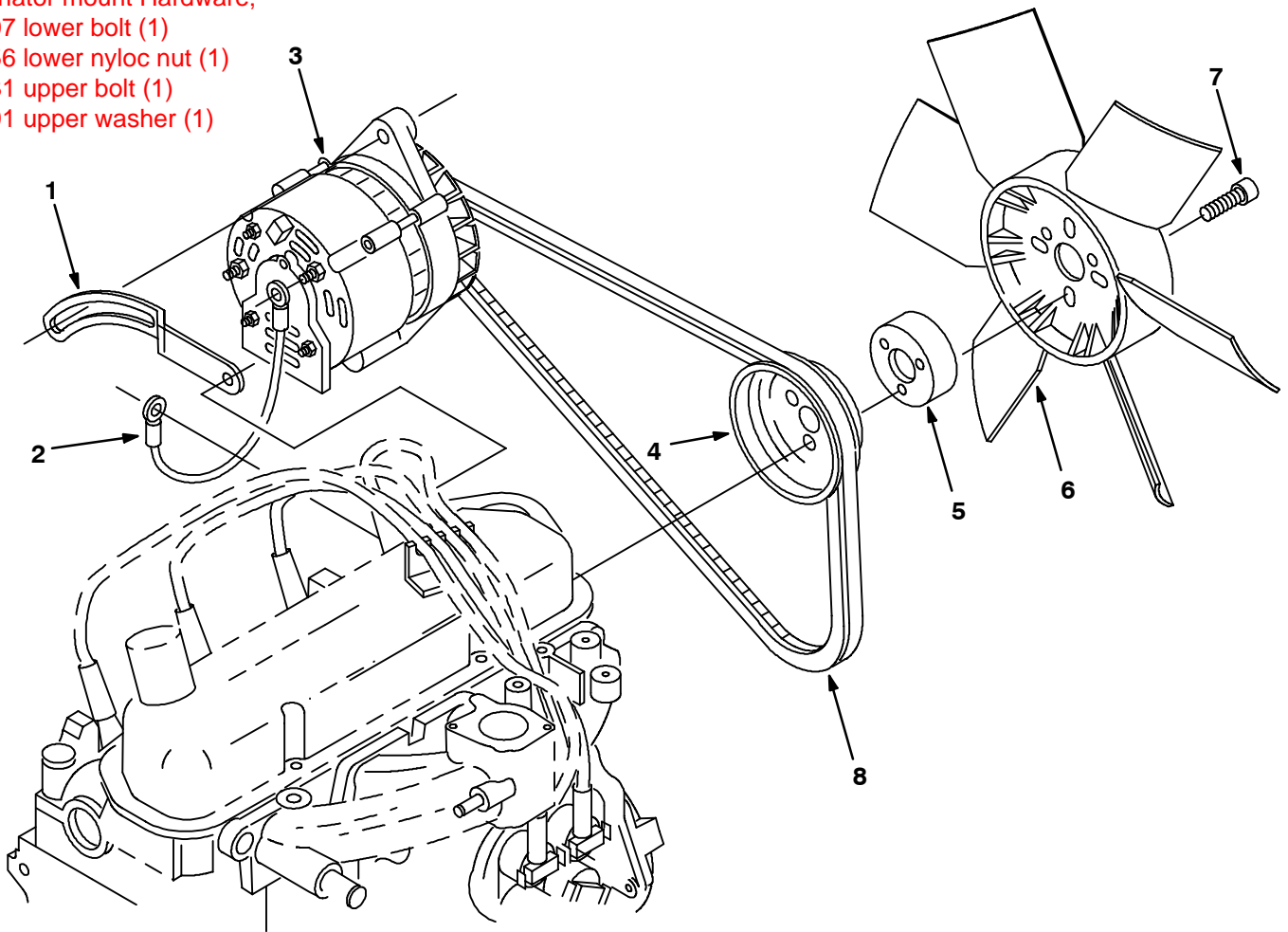


353138-6500

Ref.	Tennant Part No.	Machine Serial Number	Description	Qty.
▽	383225	(000000-	) Kit, Cl, Switch. press, [6500]	1
▲	1 34868	(000000-	) Switch, Pressure, 12V	1
▲	2 82739	(000000-	) Fitting, Brs, Breather 02Mp	1
▲	3 10632-4	(000000-	) Grommet, Rbr, 0.62ld, F/0.9H, .06Matl	1
▲	4 40607	(000000-	) Fitting, Brs, Str, Pm02/Bm03	2
▲	5 379719	(000000-	) Hose, Vacuum, 0.16ID 60.0L	1
▲	6 361075	(000000-	) Light, Panl, 14Vdc, 1.1x1.0	1

Fig. 22 - Alternator and Engine Fan Group

Alternator mount Hardware;  
 35707 lower bolt (1)  
 59156 lower nyloc nut (1)  
 16931 upper bolt (1)  
 32491 upper washer (1)



07072 - G, LP

Ref.	Tennant Part No.	Machine Serial Number	Description	Qty.	
1	31526	(000000-	) Arm, Alternator	1	
2	82731	(000000-	) Wire-Ground, Alternator	1	
▽	3	60559	(000000-	) Alternator, 50A/12V Mando	1
▲		61931	(000000-	) Regulator Assy Md	1
▲		86041	(000000-	) Bearing-Ball, .669B 1.575D 0.472W	1
▲		61529	(000000-	) Cplt Brush Kit Md	1
▲		61531	(000000-	) Rectifier Assy Md	1
▲		70160	(000000-	) Altrntr Pulley Md	1
4	30553	(000000-	) Sheave, Water Pump, 1Gr 4.25Od	1	
5	30570	(000000-	) Spacer, Fan .88	1	
6	30559	(000000-	) Fan, Pusher	1	
7	57813	(000000-	) Scr-Soc M 6X1.0 35 Nylonloc	3	
8	374516	(000000-	) Belt, V Hc41 X 32.5	1	

Fig. 23 - Muffler Group

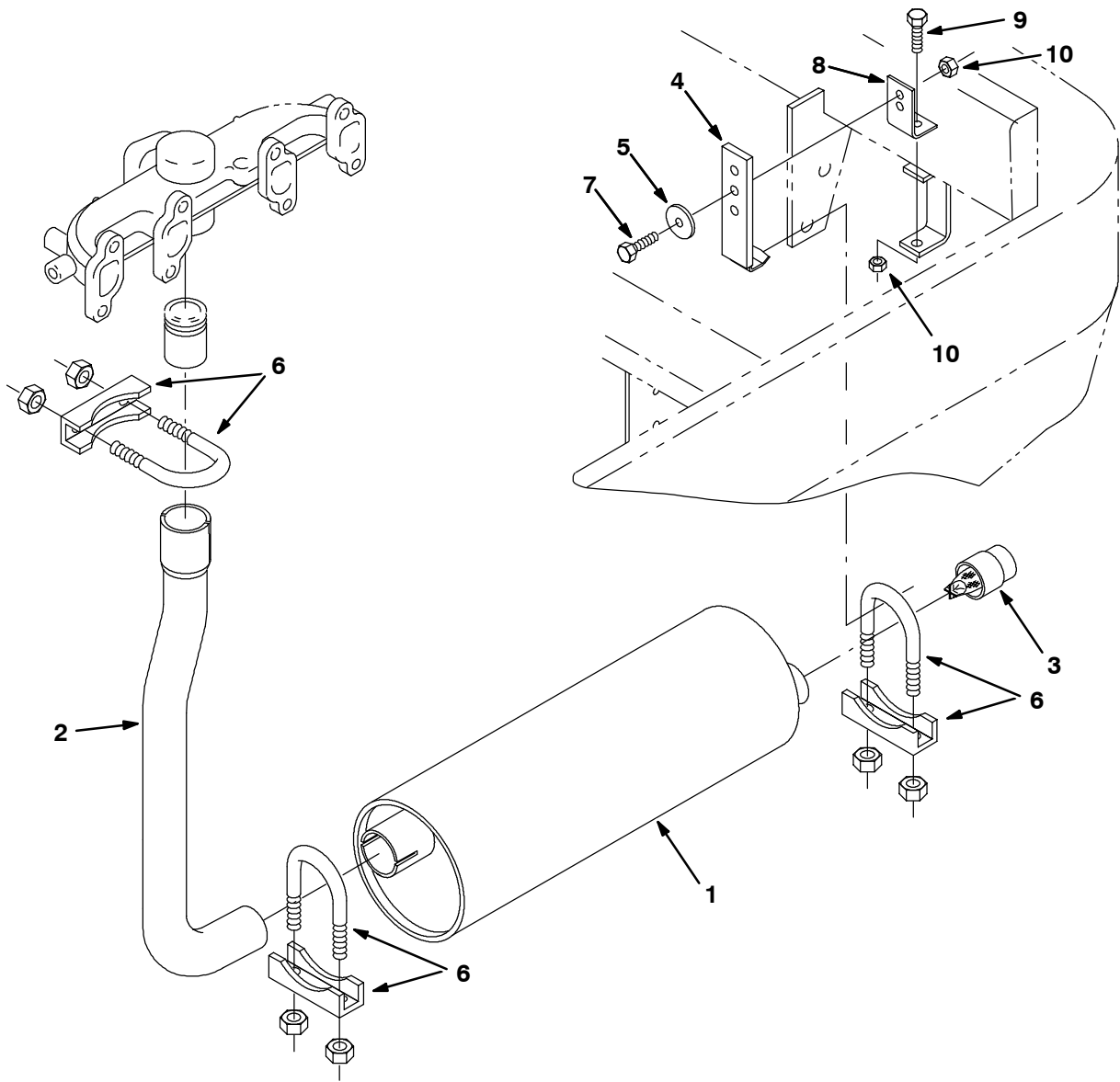




Fig. 23 - Muffler Group

Ref.	Tennant Part No.	Machine Serial Number	Description	Qty.
1	55851	(000000-	) Muffler, Exhaust	1
2	55861	(000000-	) Tube, Exhaust	1
3	58193	(000000-	) Screen, Spark-Arresting	1
4	374691	(000000-	) Strap, Muffler Hanger	1
5	30013	(000000-	) Washer-Flt .31 Fender Pltd	1
6	24012	(000000-	) Clamp-Muffler,For 1.62 Od Tube	3
7	39277	(000000-	) Screw, Hex, M8	1
8	374676	(000000-	) Angle, Muffler Hanger	1
9	16931	(000000-	) Screw, Hex, M8	1
10	08709	(000000-	) Nut, Hex, M8	2

Fig. 24 - Fuel Tank Group, Gasoline

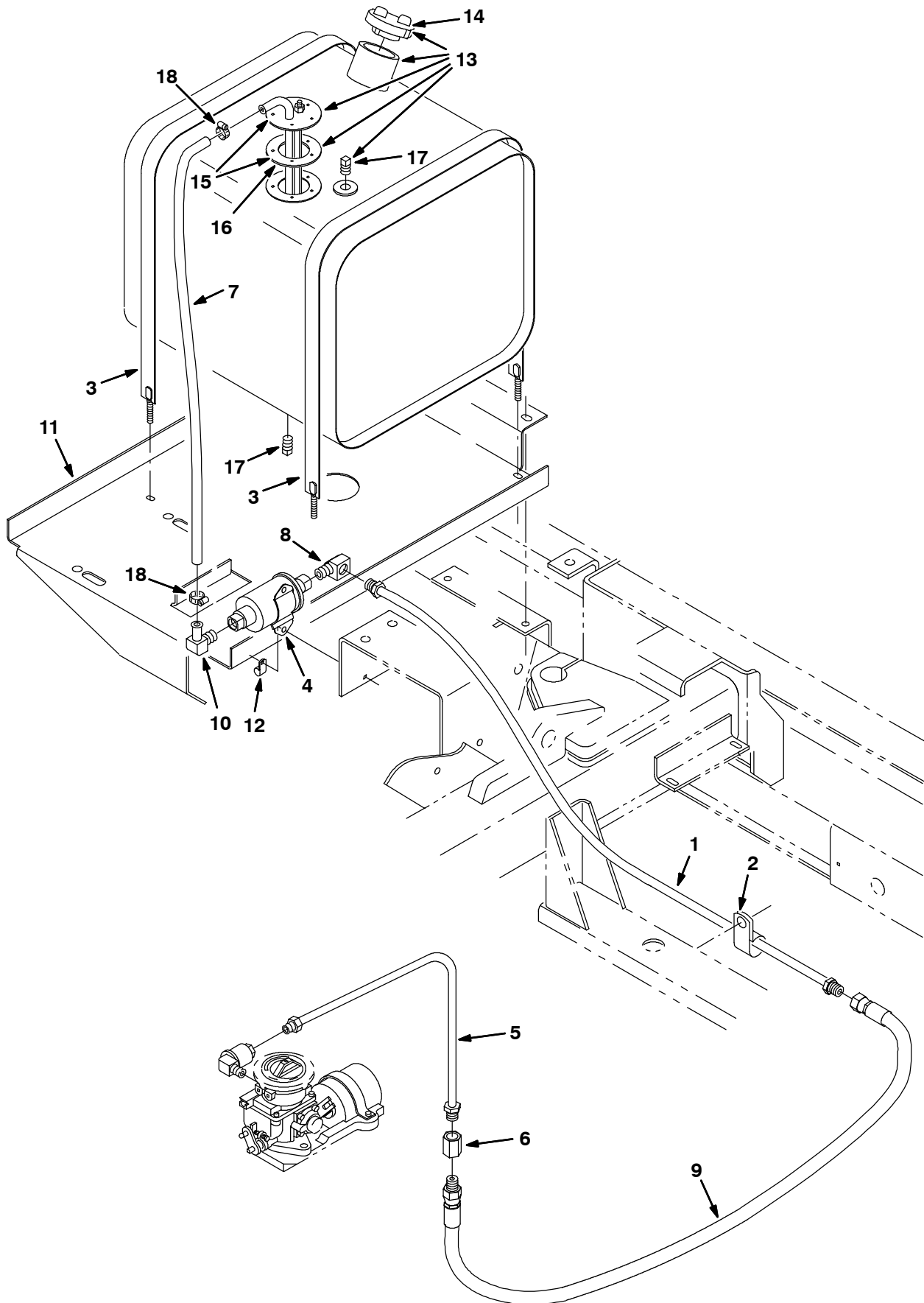


Fig. 24 - Fuel Tank Group, Gasoline

Ref.	Tennant Part No.	Machine Serial Number	Description	Qty.	
1	72192	(000000-	) Fuelline	1	
2	76736	(000000-	) Clamp-Cable, 0.38Dia 0.62Wth	1	
3	87396	(000000-	) Strap, Tank, Gas	2	
4	59015	(000000-	) Pump, Fuel	1	
5	374526	(000000-	) Fuelline	2	
6	25610	(000000-	) Ftg-Brs Str	1	
7	82509	(000000-	) Hose, Fuelline	1	
8	15555-1	(000000-	) Ftg-Brs E90 If05/Pm02	1	
9	70173	(000000-	) Hose, Fuelline	1	
10	53029	(000000-	) Ftg-Brs E90	1	
11	55222	(000000-	) Tray, Gas	1	
12	46236	(000000-	) Clamp-Cable, 0.25Dia 0.56Wth	1	
▽	13	72191	(000000-	) Tank, Fuel, 9.4 Gal	1
▲	14	48267	(000000-	) Cap, Gas	1
▲▽	15	74406	(000000-	) Send Unit	1
▲▲	16	14131	(000000-	) Gasket	1
▲	17	48126	(000000-	) Ftg-Plug Npt 02Pm Sq Hd	2
	18	43844	(000000-	) Clamp-Wormdrive, 0.25-0.62 D	2

Fig. 25 - Fuel Tank Group, LPG

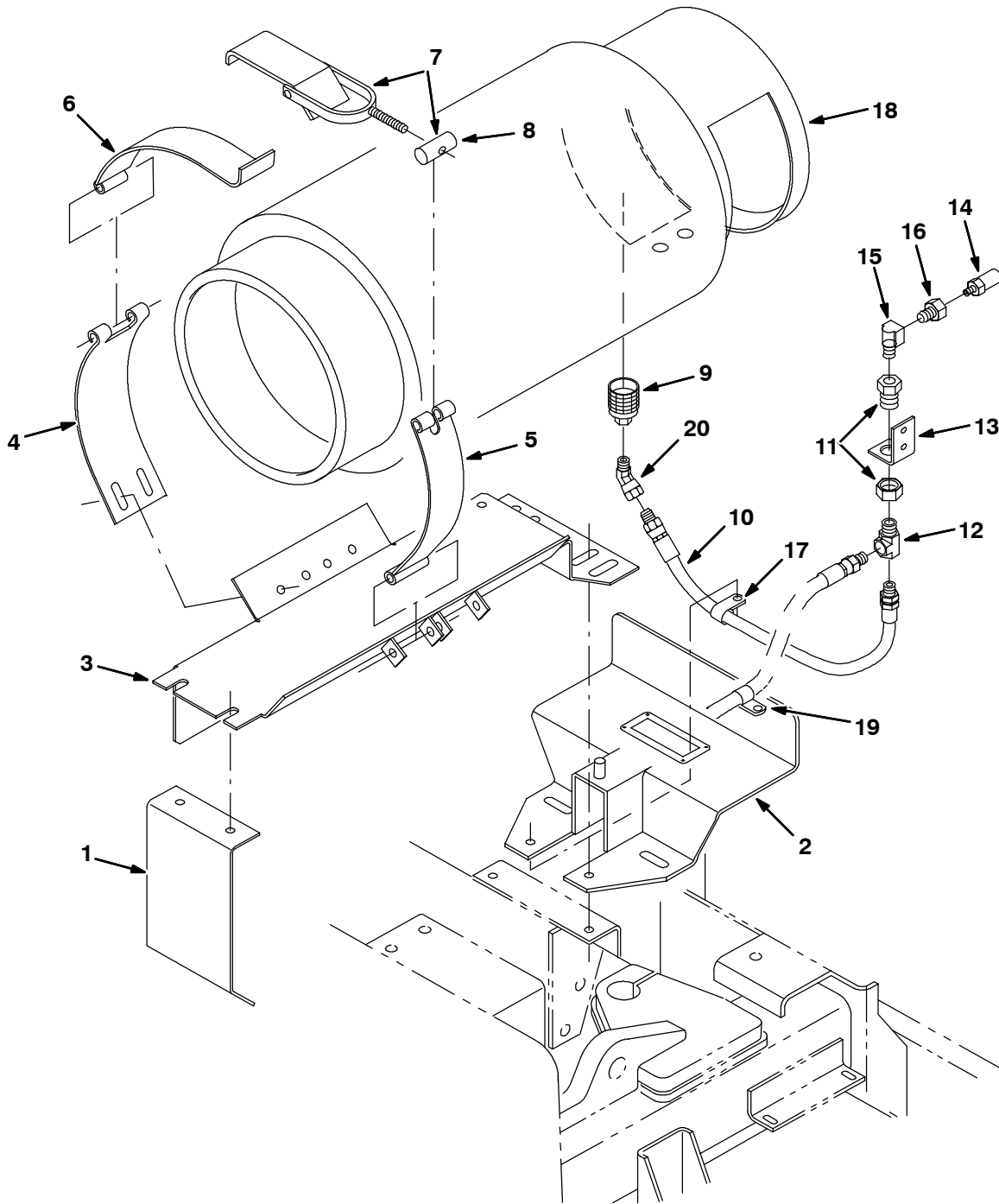


Fig. 25 - Fuel Tank Group, LPG

Ref.	Tennant Part No.	Machine Serial Number	Description	Qty.	
1	70221	(000000-	) Bracket, Mtg, LPG	1	
2	72128	(000000-	) Bracket Wldt, LPG w/label	1	
3	10652	(000000-	) Panel Wldt	1	
4	58589	(000000-	) Strap, Mtg. - Lp Tank	1	
5	58590	(000000-	) Strap, Tank Retainer - Lp	1	
6	57297	(000000-	) Strap, Hinge - Lp Tank Mtg	1	
▽	7	53400-1	(000000-	) Latch Assy, LPG Tank Mtg,W/Nut	1
▲	8	53400-4	(000000-	) Nut, Adjustable, LPG Tank Mtg	1
9	26496	(000000-	) Coupling,Quickdisc,, Shwd	1	
10	22308-3	(000000-	) Hose, Lpg, 4Lpg X 35.0Lg	1	
11	78122	(000000-	) Ftg,Bulkhead .25Npt Wh W21204	1	
12	56976A	(000000-	) Ftg-Tee Npt 04Pm- 04Pf- 04Pf	1	
13	54343	(000000-	) Bracket, Mtg, Relief Valve	1	
14	24047	(000000-	) Valve, Press Relief, LPG Rego	1	
15	27048	(000000-	) Ftg-El90 Npt/Npt 04Pf/04Pm	1	
16	59892	(000000-	) Ftg-Str Npt/Npt 04Pf-04Pm	1	
17	26395-1	(000000-	) Clamp-Cable, 0.56Dia 0.38Wth	1	
18	24928-1	(000000-	) Tank-Lp,33#,Liq,Both,Fill Ga L	1	
19	67767	(000000-	) Clamp-Cable, 0.69Dia 0.62Wth	1	
20	47720	(000000-	) Ftg-Hyd E45 PM04/PF04	1	

Fig. 26 - Radiator Group

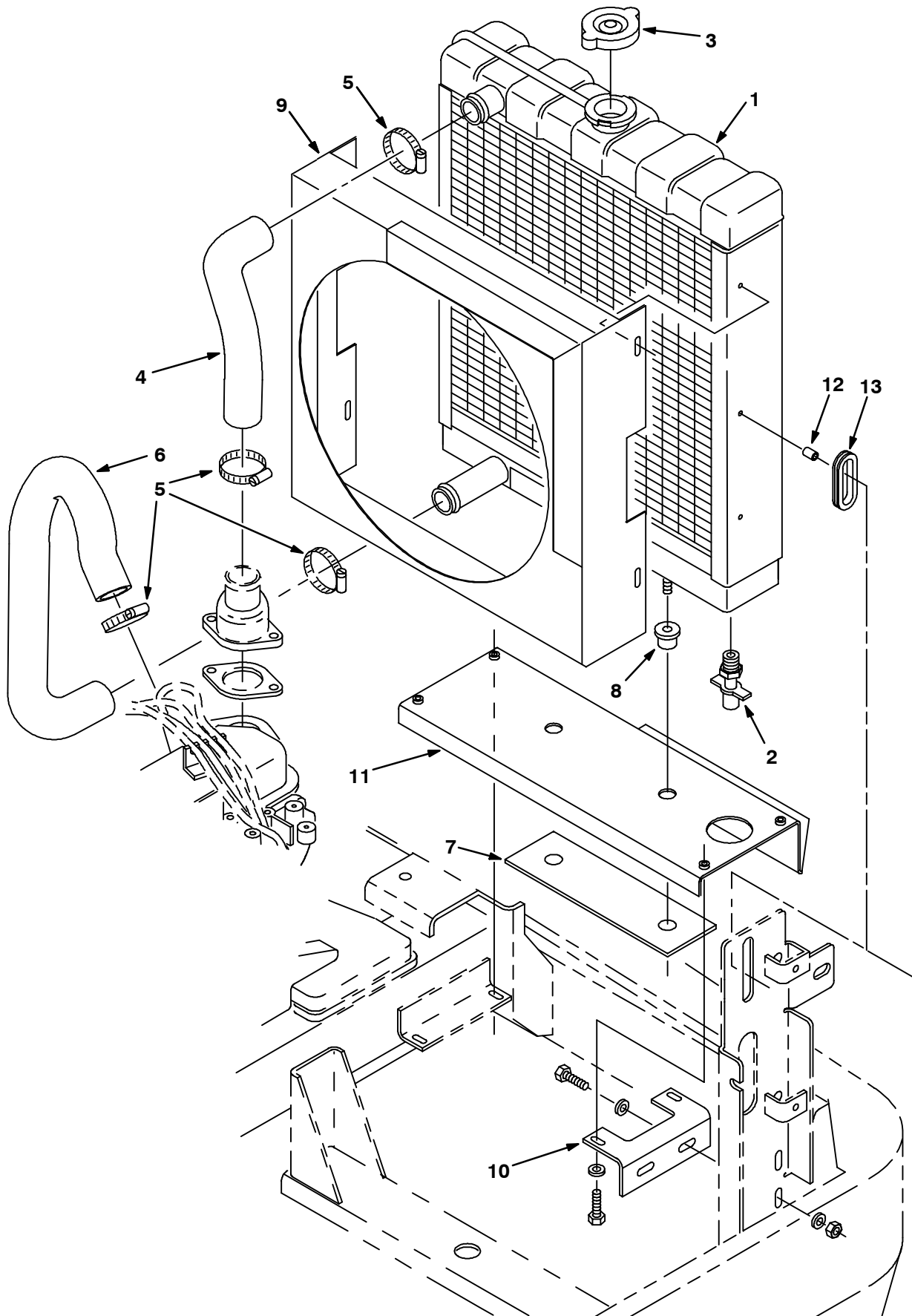
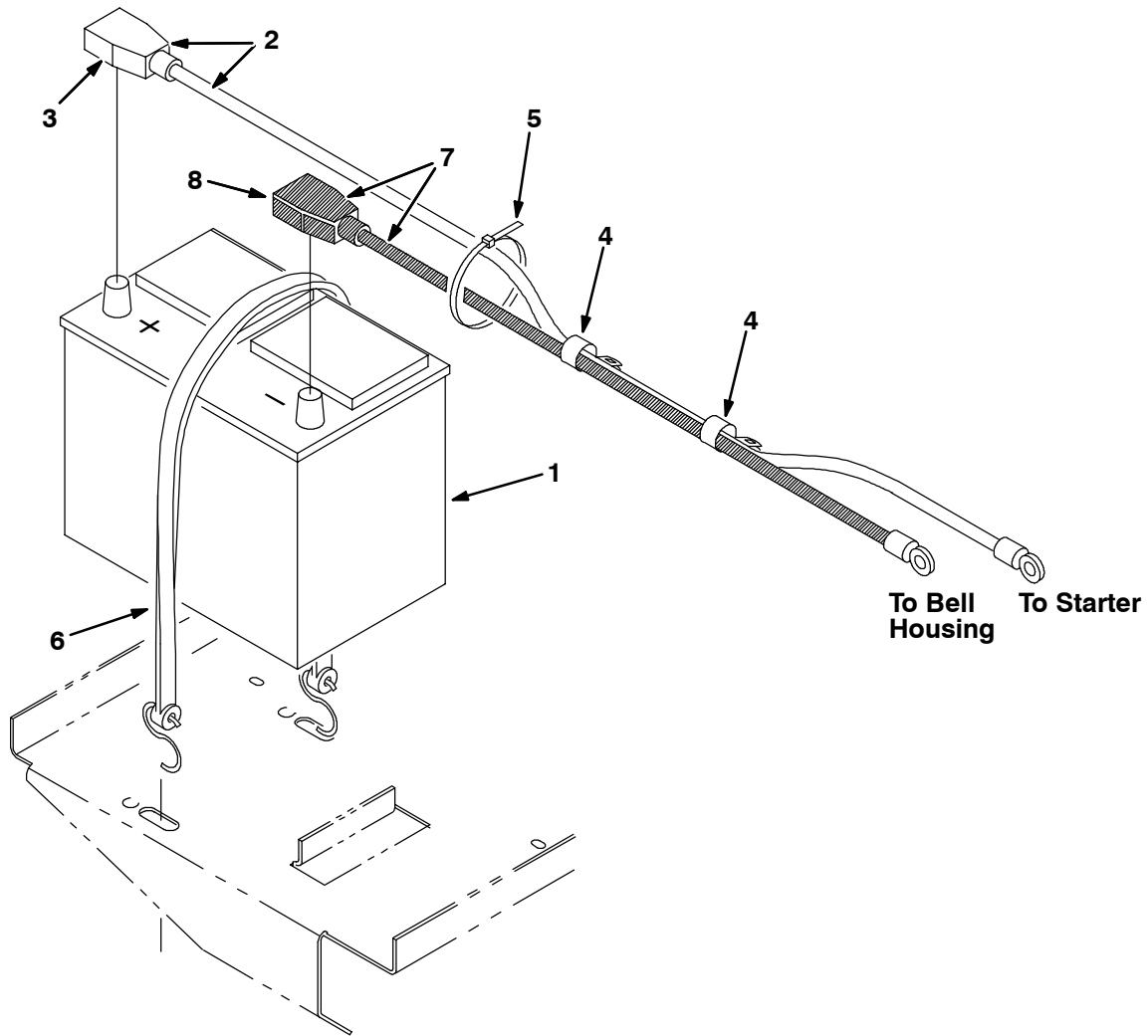


Fig. 26 - Radiator Group

Ref.	Tennant Part No.	Machine Serial Number	Description	Qty.
1	55225	(000000-	) Radiator	1
2	54911-32	(000000-	) Draincock,End.Block	1
3	31755	(000000-	) Cap, Radiator	1
4	31517	(000000-	) Hose, Radiator, Upper	1
5	11531	(000000-	) Clamp-Wormdrive, 1.06- 2.00D	4
6	31518	(000000-	) Hose, Radiator	1
7	59551	(000000-	) Plate, Filler	1
8	54274	(000000-	) Isolator-Vibration,60 Lb.Ratng	2
9	74394	(000000-	) Guard, Fan, W/Label, Gas	1
10	72147	(000000-	) Bracket, Radiator Mount	1
11	59550	(000000-	) Channel, Mtg, Radiator	1
12	59881	(000000-	) Spacer	1
13	10632-13	(000000-	) Grommet,Rbr,1.50ld,For .19Matl	1

# STANDARD PARTS

Fig. 27 - Battery Group, Gasoline

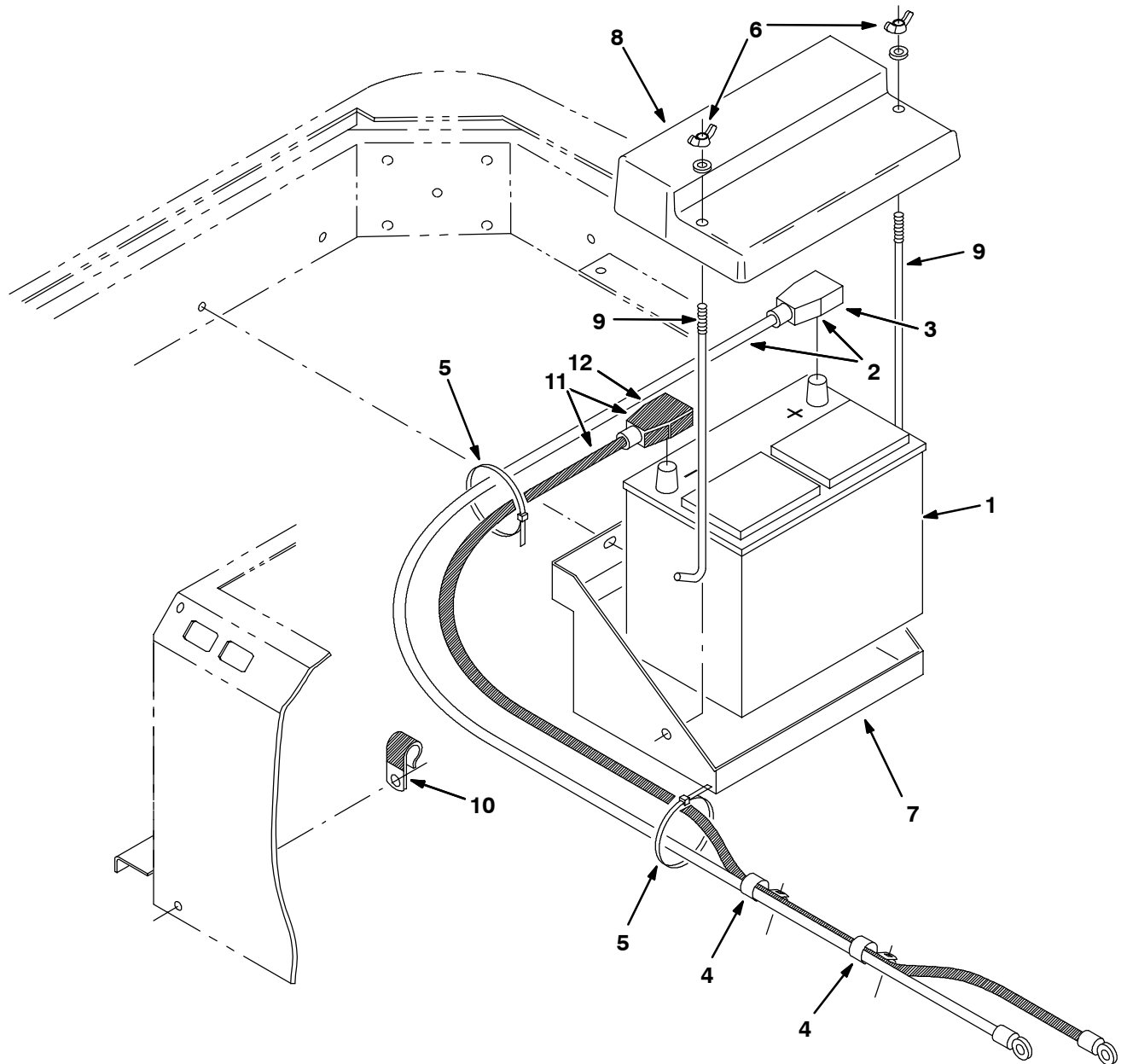


07080 - G, NA, JP

Ref.	Tennant Part No.	Machine Serial Number	Description	Qty.
	1	10137	(000000- ) Battery, 12V, Cc Amps:475 Wet	1
▽	2	60292	(000000- ) Wire Assy, 66.0 Lg, 2 Ga, Pos	1
▲	3	68873	(000000- ) Boot, Batt. Term. 1-2 Ga Red	1
	4	67767	(000000- ) Clamp-Cable, .69Dia. .62Wth	2
	5	49266	(000000- ) Tie, Cable 1.75D Max 7.50Lg	2
	6	33671	(000000- ) Strap,Rubber Tie-Down	1
▽	7	60293	(000000- ) Wire Assy, 42.0 Lg, 2 Ga, Neg	1
▲	8	68872	(000000- ) Boot, Batt. Term. 1-2 Ga Black	1



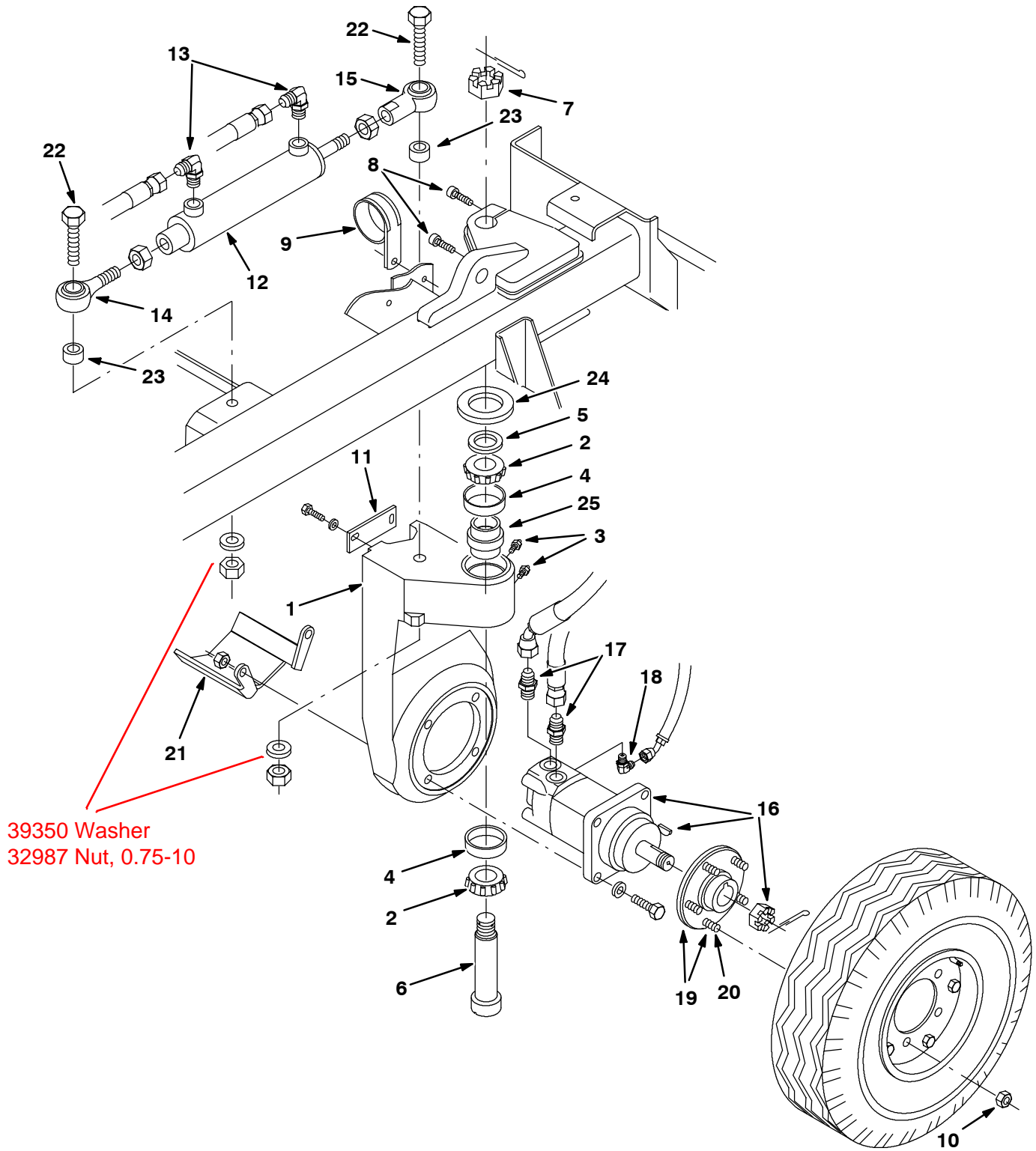
Fig. 28 - Battery Group, LPG



351737 - LP, NA, JP

Ref.	Tennant Part No.	Machine Serial Number	Description	Qty.	
1	10137	(000000-	) Battery, 12V, Cc Amps:475 Wet	1	
▽	2	60294	(000000-	) Wire Assy, 78.0 Lg, 2 Ga, Pos	1
▲	3	68873	(000000-	) Boot, Batt. Term. 1-2 Ga Red	1
4	67767	(000000-	) Clamp-Cable, .69Dia. .62Wth	2	
5	49266	(000000-	) Tie, Cable 1.75D Max 7.50Lg	2	
6	39272	(000000-	) Nut, Wing	2	
7	379733	(000000-	) Tray, Battery, LPG	1	
8	71021	(000000-	) Cover, Battery, LPG	1	
9	13015	(000000-	) Bolt, Hold-Down	2	
10	30407	(000000-	) Clip, Keeper, Open	1	
▽	11	60295	(000000-	) Wire Assy, 60.0 Lg, 2 Ga, Neg	1
▲	12	68872	(000000-	) Boot, Batt. Term. 1-2 Ga Black	1

**Fig. 29 - Rear Drive Wheel Group**



39350 Washer  
32987 Nut, 0.75-10

Fig. 29 - Rear Drive Wheel Group

Ref.	Tennant Part No.	Machine Serial Number	Description	Qty.	
1	374561	(000000-	) Housing, Sppt, Wheel	1	
2	51339	(000000-	) Bearing-Cone, 1.38Bore 0.71Wth	2	
3	47801	(000000-	) Ftg, Grease.25-28Th Strt .63L	2	
4	51338	(000000-	) Bearing-Cup , 2.56Dia 0.55Wth	2	
5	54051	(000000-	) Washer, Thrust	1	
6	73281	(000000-	) Pin, Wheel Support, Rear	1	
7	54052	(000000-	) Nut-Hxslot 1.12-18 Pltd	1	
8	72926	(000000-	) Scr Soc M16-2.0x50	2	
9	70157	(000000-	) Clamp-Cable, 2.50Dia 1.00Wth Ss	1	
10	24339	(000000-	) Nut-Wheel .50-20 60 Angle	5	
11	58842	(000000-	) Plate - Hose Support	1	
12	53601	(000000-	) Cylinder-Hyd (See Breakdowns)	1	
13	56820	(000000-	) Ftg-Hyd E90 Jm06/Om06	2	
14	64886	(000000-	) Balljoint, Rod End	1	
15	64887	(000000-	) Balljoint, Rod End	1	
16	374559	(000000-	) Motor-Hyd Gear (See Breakdowns)	1	
17	46480	(000000-	) Ftg-Hyd Str Jm10/Om10	2	
18	77097	(000000-	) Ftg-Hyd E90 Jm04/Om04	1	
▽	19	82239	(000000-	) Hub & Stud Assy	1
▲	20	32126	(000000-	) Stud, Wheel .50-20 x 1.50	5
21	72155	(000000-	) Bracket, Drive Motor	1	
22	374553	(000000-	) Scr-Hex .75-10x3.50 Pltd	2	
23	374552	(000000-	) Tube, 1.25D 0.75B 0.8L Stl	2	
24	374563	(000000-	) Washer, 2.156B 3.5D .16 Felt	1	
25	374560	(000000-	) Seal, Rear Drive Grease Cavity	1	

**Fig. 30 - Soft Ride Tire And Wheel Assembly**

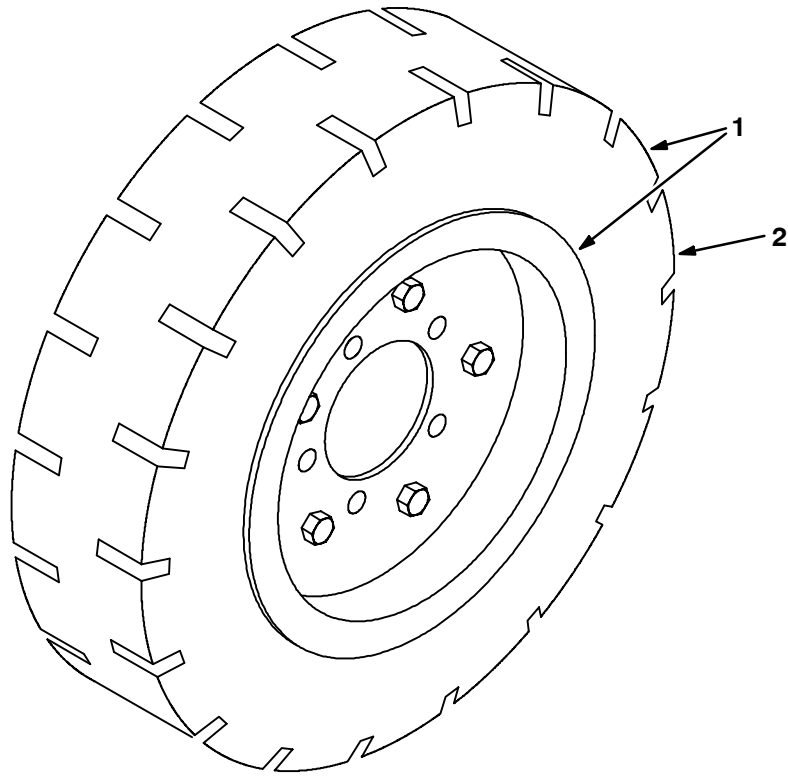


Fig. 30 - Soft Ride Tire And Wheel Assembly

	<b>Ref.</b>	<b>Tennant Part No.</b>	<b>Machine Serial Number</b>	<b>Description</b>	<b>Qty.</b>
▽	1	53817	(000000-	) Tire and Whl. Assy, Soft Ride Solid	1
▲	2	53816	(000000-	) Tire, Solid, Black	1

Fig. 31 - Front Wheel and Brakes Group

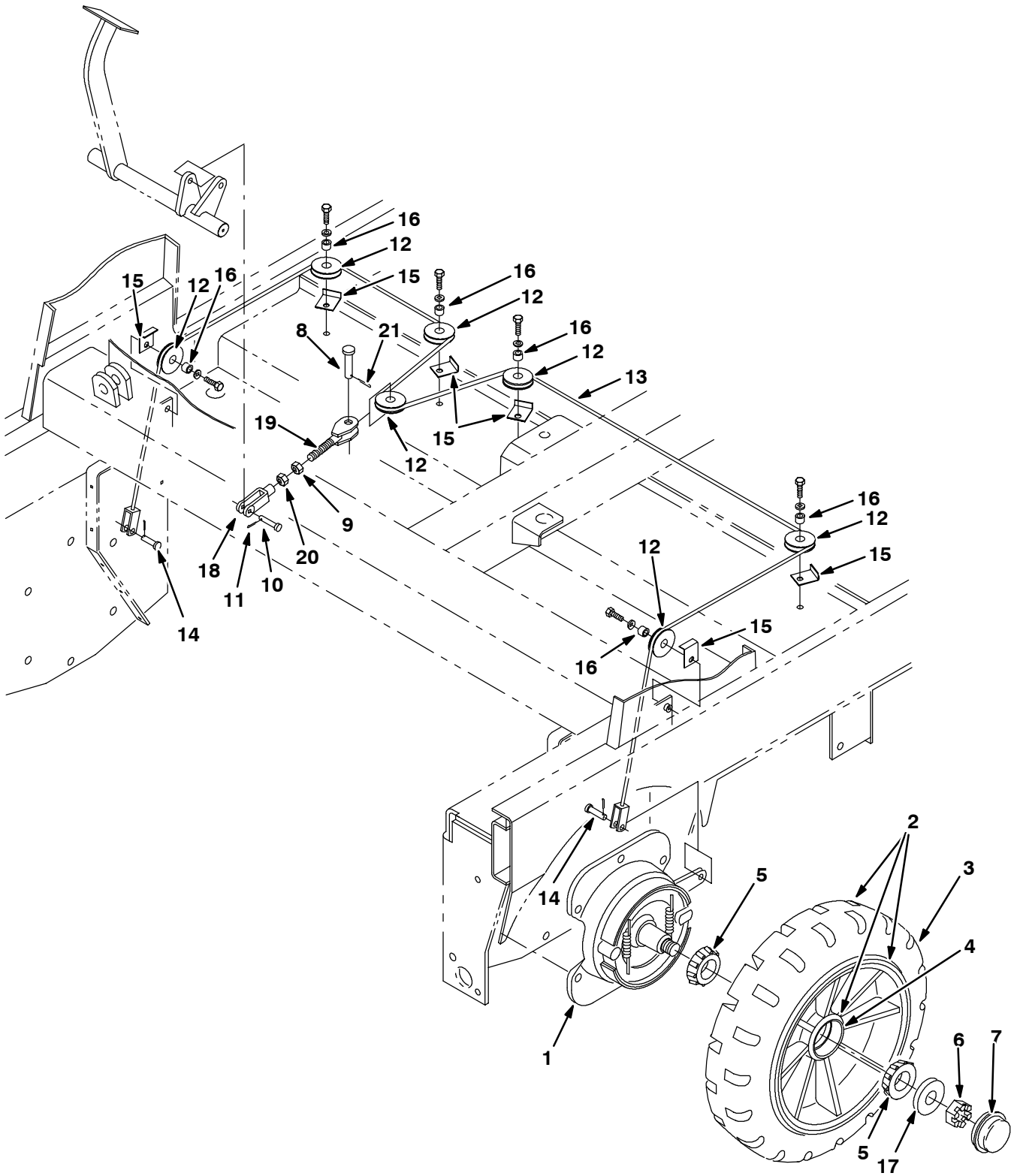


Fig. 31 - Front Wheel and Brakes Group

Ref.	Tennant Part No.	Machine Serial Number	Description	Qty.
▽	1	54577	(000000- ) Brake Assy	2
▲		66211	(000000- ) Brake Shoes	2
▲▽		66213	(000000- ) Brake Repair Kit	1
▲▲		70161	(000000- ) Chrome Pltd Cam Shft	1
▲		70158	(000000- ) Return Spring-Brakes	2
▽	2	54437	(000000- ) Wheel Assy	2
▲	3	54567	(000000- ) Tire,18X5X12.12 Solid	1
▲	4	51338	(000000- ) Bearing-Cup , 2.56Dia 0.55Wth	2
	5	51339	(000000- ) Bearing-Cone, 1.38Bore 0.71Wth	4
	6	14242	(000000- ) Nut-Hxslot 1.00-20 Pltd	2
	7	54390	(000000- ) Cap, Hub	2
	8	58078	(000000- ) Pin, Clevis, 0.50 D X 1.25l	1
	9	48985	(000000- ) Nut, Hex, Jam, .50-20	1
	10	86240	(000000- ) Pin Clevis .375 Dia X 1.13 Lg	1
	11	39005	(000000- ) Pin, Cotter, .094 X 0.75	1
	12	74391	(000000- ) Pulley Assy - Cable, 1.5 Dia	7
	13	54617	(000000- ) Cable, Brake, Service	1
	14	09088	(000000- ) Pin,Clevis,0.37 Dia.X 1.00 Lg	2
	15	54400	(000000- ) Angle, Cable Keeper	6
	16	222460	(000000- ) Spacer, Pulley	6
	17	32969	(000000- ) Washer-flt 1.00 Pltd	2
	18	374710	(000000- ) Clevis, Adj, 0.38pin, 0.50 - 20	1
	19	71373	(000000- ) Clevis Wldt, Adj, .50pin 0.50-20, PI	1
	20	39313	(000000- ) Nut, Hex, Std, M12 X 1.75	1
	21	08182	(000000- ) Pin, Cotter, .125 X 1.00	1

Fig. 32 - Brake Lever and Pedal Group

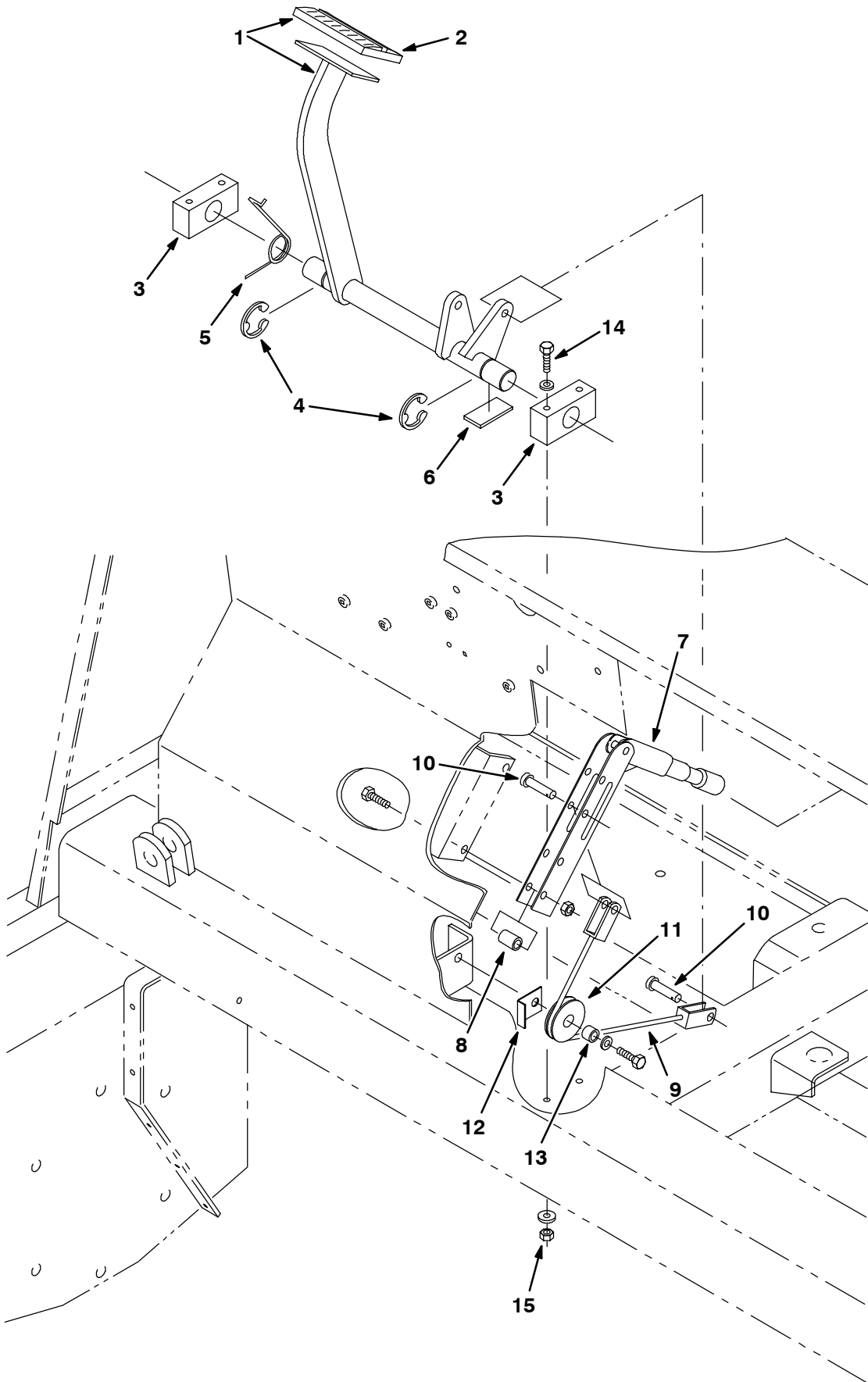




Fig. 32 - Brake Lever and Pedal Group

	Ref.	Tennant Part No.	Machine Serial Number	Description	Qty.
▽	1	72132	(000000-	) Shaft Wldt, Brake w/pad	1
▲	2	51109	(000000-	) Pad	1
	3	86751	(000000-	) Brg, Brake	2
	4	23788	(000000-	) Ring-Retain, Ex, 0.98OD, E-Ring	2
	5	54607	(000000-	) Spring, Torsion	1
	6	69933	(000000-	) Pad, Rubber	1
	7	51545	(000000-	) Lever, Brake	1
	8	51562	(000000-	) Sleeve, .344B .50D .81 Cr.Anc	2
	9	54616	(000000-	) Cable, Parking Brake	1
	10	86240	(000000-	) Pin Clevis .375 Dia X 1.13 Lg	2
	11	74391	(000000-	) Pulley Assy - Cable, 1.5 Dia	1
	12	54400	(000000-	) Angle, Cable Keeper	1
	13	222460	(000000-	) Spacer, Pulley	1
	14	58979	(000000-	) Scr-Hexss M6 x 1.0	4
	15	08712	(000000-	) Nut-Hxlocnyln M6 x 1.0 Regss	4

Fig. 33 - Directional Pedal Group

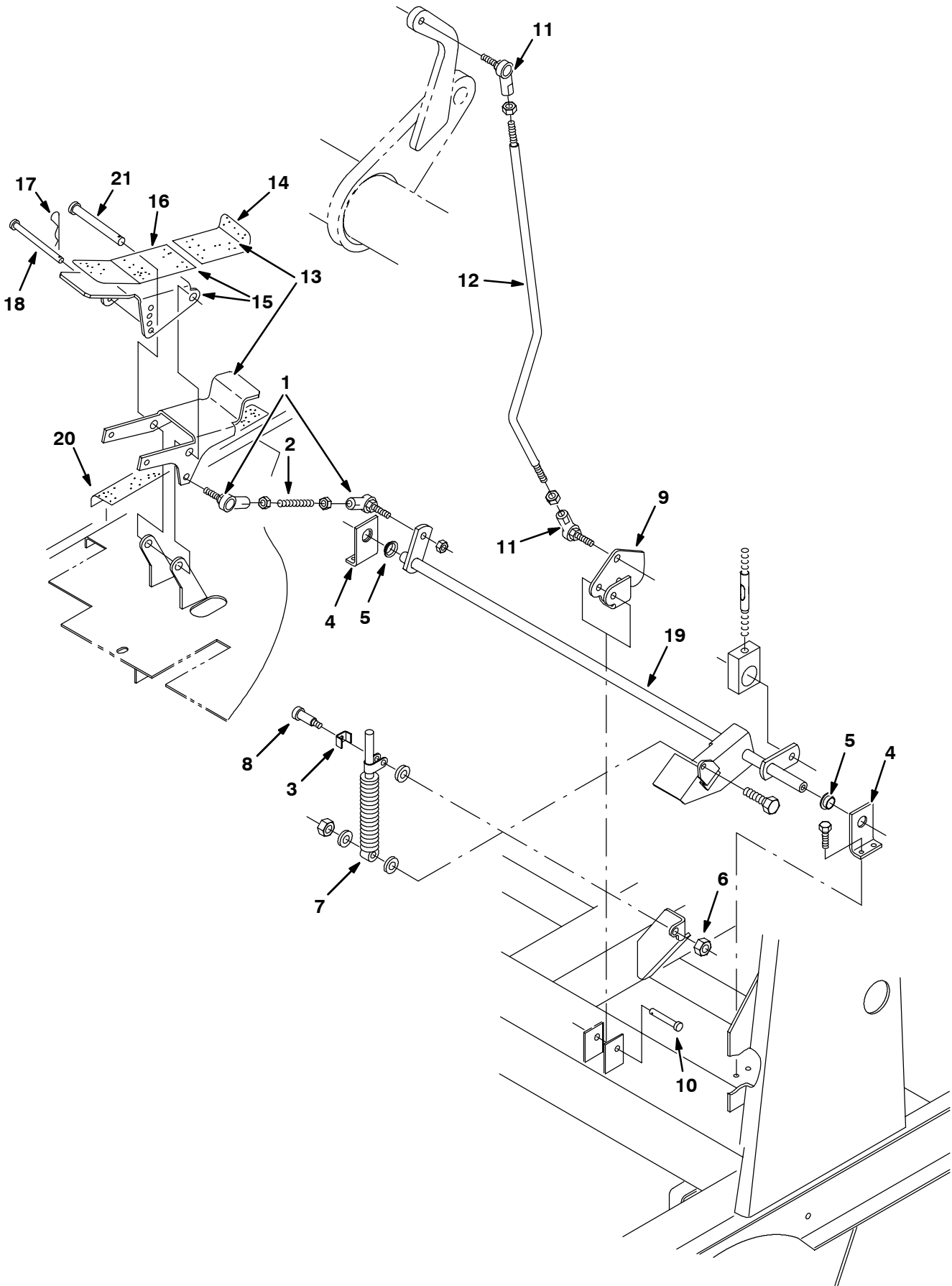


Fig. 33 - Directional Pedal Group

Ref.	Tennant Part No.	Machine Serial Number	Description	Qty.
1	05686	(000000-	) Rod-End M10X1.5 W/Stud	2
2	54996	(000000-	) Rod, Adjusting	1
3	84170	(000000-	) Bracket, Retainer	1
4	53927	(000000-	) Bracket Sppt, Control Rod	2
5	04843	(000000-	) Bearing, Flange .625 Bore	2
6	75934	(000000-	) Nut-Hxlocnyln .25-20 Thin Pltd	2
7	73411	(000000-	) Shock Absorber	1
8	16213	(000000-	) Scr-Shld .312Dx1.00L .25-20	1
9	379732	(000000-	) Bracket, Speed Limiter	1
10	51813	(000000-	) Pin,Clevis,0.37 Dia.X 2.12 Lg	1
11	05686	(000000-	) Rod-End M10X1.5 W/Stud	2
12	374520	(000000-	) Rod, Speed Limiter, Adjusting, Rh	1
▽	13	72130	(000000-) Pedal, Propel,Adjustable,Lower w/tread	1
▲	14	75430	(000000-) Pad, Tread	1
▽	15	72131	(000000-) Pedal, Propel,Adjustable,Upper w/tread	1
▲	16	75430	(000000-) Pad, Tread	1
	17	44906	(000000-) Pin, Hair Cotter	1
	18	59672	(000000-) Pin, Clevis .31 Dia X 4.50 Lg	1
	19	74475	(000000-) Rod Weldt, Drive Linkage	1
	20	75430	(000000-) Pad, Tread	1
	21	59668	(000000-) Pin, Clevis .50 Dia X 4.50 Lg	1

Fig. 34 - Hydraulic Pump Linkage Group

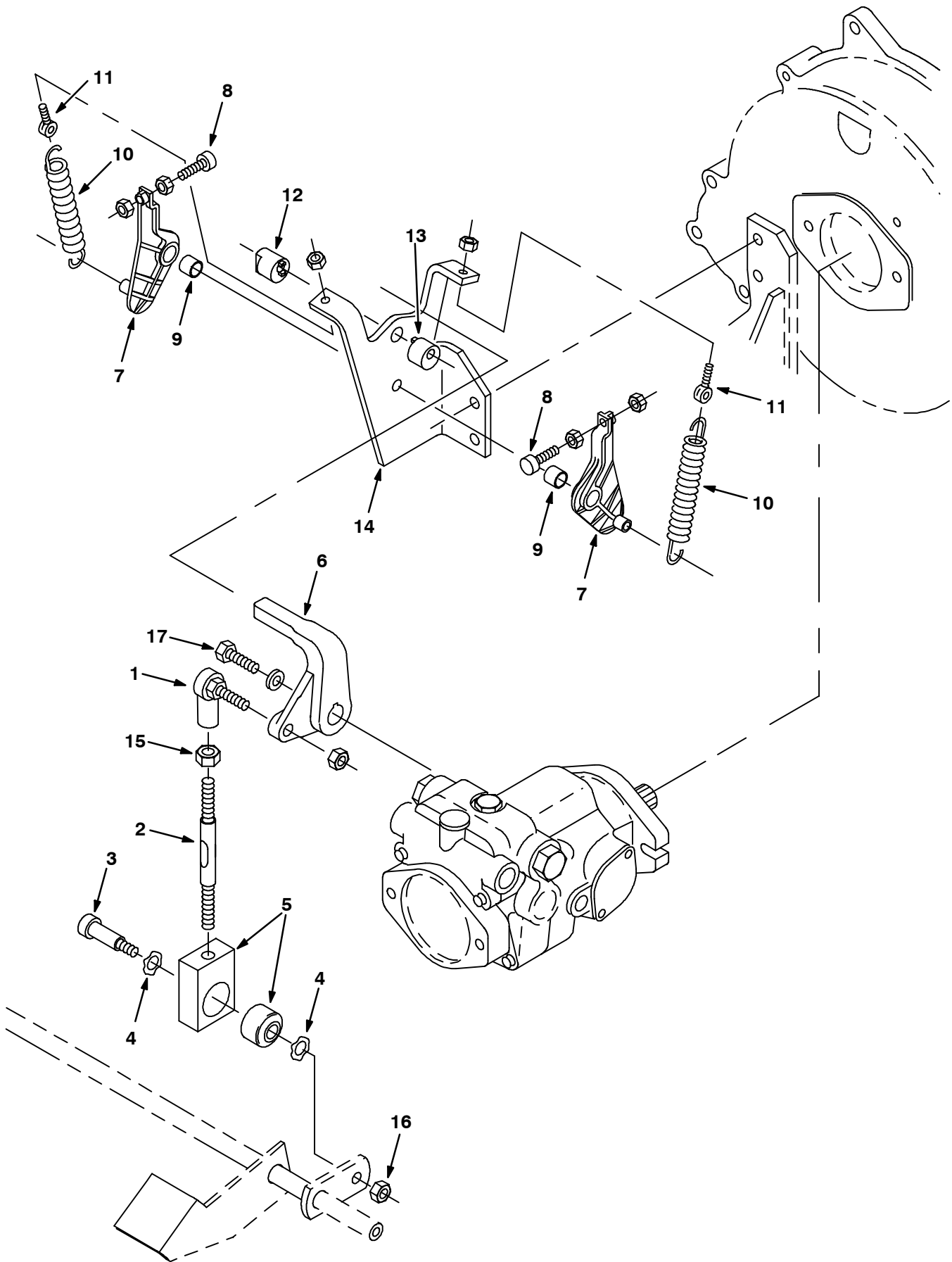


Fig. 34 - Hydraulic Pump Linkage Group

Ref.	Tennant Part No.	Machine Serial Number	Description	Qty.
1	05686	(000000-	) Rod-End M10X1.5 W/Stud	1
2	54015	(000000-	) Rod, Adjusting	1
3	86791	(000000-	) Scr-Shld .500Dx1.25L .38-16	1
4	52508	(000000-	) Washer-Wavy Spring,#Ww-381-&-8	2
5	54997	(000000-	) Bracket Assy, Isolator	1
6	54999	(000000-	) Arm, Control, Pintle	1
7	53953	(000000-	) Arm	2
8	54205	(000000-	) Bumper, Threaded	2
9	63234	(000000-	) Sleeve, Bearing	2
10	11842	(000000-	) Sprng,Tens,0.75Odx.12Wire 3.4L	2
11	48079	(000000-	) Bolt-Eye, .25-20Th .25B 1.4L	2
12	53947	(000000-	) Cam	1
13	54655	(000000-	) Cam	1
14	53950	(000000-	) Bracket, Propel	1
15	09775	(000000-	) Nut-Hx Stdss M10x1.5 Left	1
16	36643	(000000-	) Nut-Hxlocnyln .38-16 Thin Pltd	1
17	50045	(000000-	) Scr-Hex .31-24x0.62 Pltd	1

Fig. 35 - Hopper Group

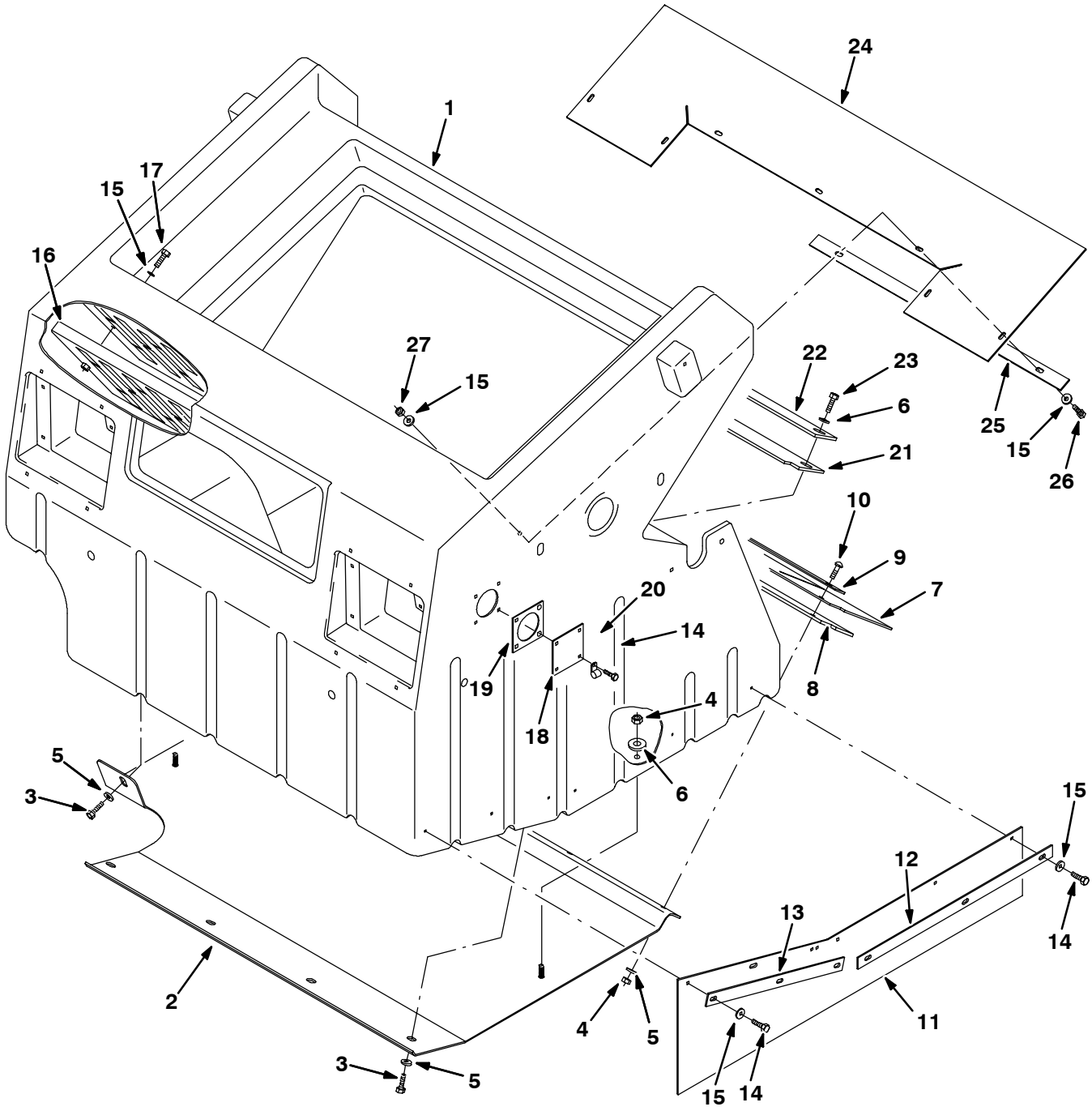


Fig. 35 - Hopper Group

Ref.	Tennant Part No.	Machine Serial Number	Description	Qty.
1	379590	(000000-	) Hopper, Molded	1
2	379707	(000000-	) Plate, Support, Hopper	1
3	49826	(000000-	) Screw, Hex, M08-1.25 X 16, Ss	5
4	08713	(000000-	) Nut, Hex, Lock, M08-1.25,NI,Ss	7
5	01685	(000000-	) Washer, Flat, .31 Ss	10
6	379829	(000000-	) Washer, .34B 1.50D	9
7	379706	(000000-	) Skirt, Lip	1
8	379705	(000000-	) Skirt, Lip	1
9	379704	(000000-	) Strap, Main Lip	1
10	379792	(000000-	) Bolt, Carriage M8x1.25Pltd	5
11	54089	(000000-	) Skirt, Side, SBDC, Lh	1
12	379831	(000000-	) Plate, Retainer	1
13	379814	(000000-	) Plate, Retainer	1
14	11329	(000000-	) Screw, Hex, M06-1.0 X 16, Ss	10
15	01684	(000000-	) Washer, Flat, .25 Ss	16
16	379812	(000000-	) Panel Wldt, Perma Filter	1
17	33930	(000000-	) Screw, Hex, M06-1.0 X 40, Ss	2
18	59189	(000000-	) Plate	1
19	55965	(000000-	) Seal, Vac Wand	1
20	46236	(000000-	) Clamp, Cable 0.25D 0.56W Stl	1
21	379727	(000000-	) Wiper Door	1
22	379726	(000000-	) Strap, Wiper, Door	1
23	59658	(000000-	) Screw, Hex, M08-1.25 X 25, Ss	7
24	379834	(000000-	) Seal, Pocket, Hopper	1
25	379835	(000000-	) Plate, Retainer	1
26	08716	(000000-	) Screw, Hex, M06-1.0 X 20, Ss	5
27	08712	(000000-	) Nut, Hex, Lock, M06-1.0, NI,Ss	5

Fig. 36 - Hopper Cylinder and Dump Door Group

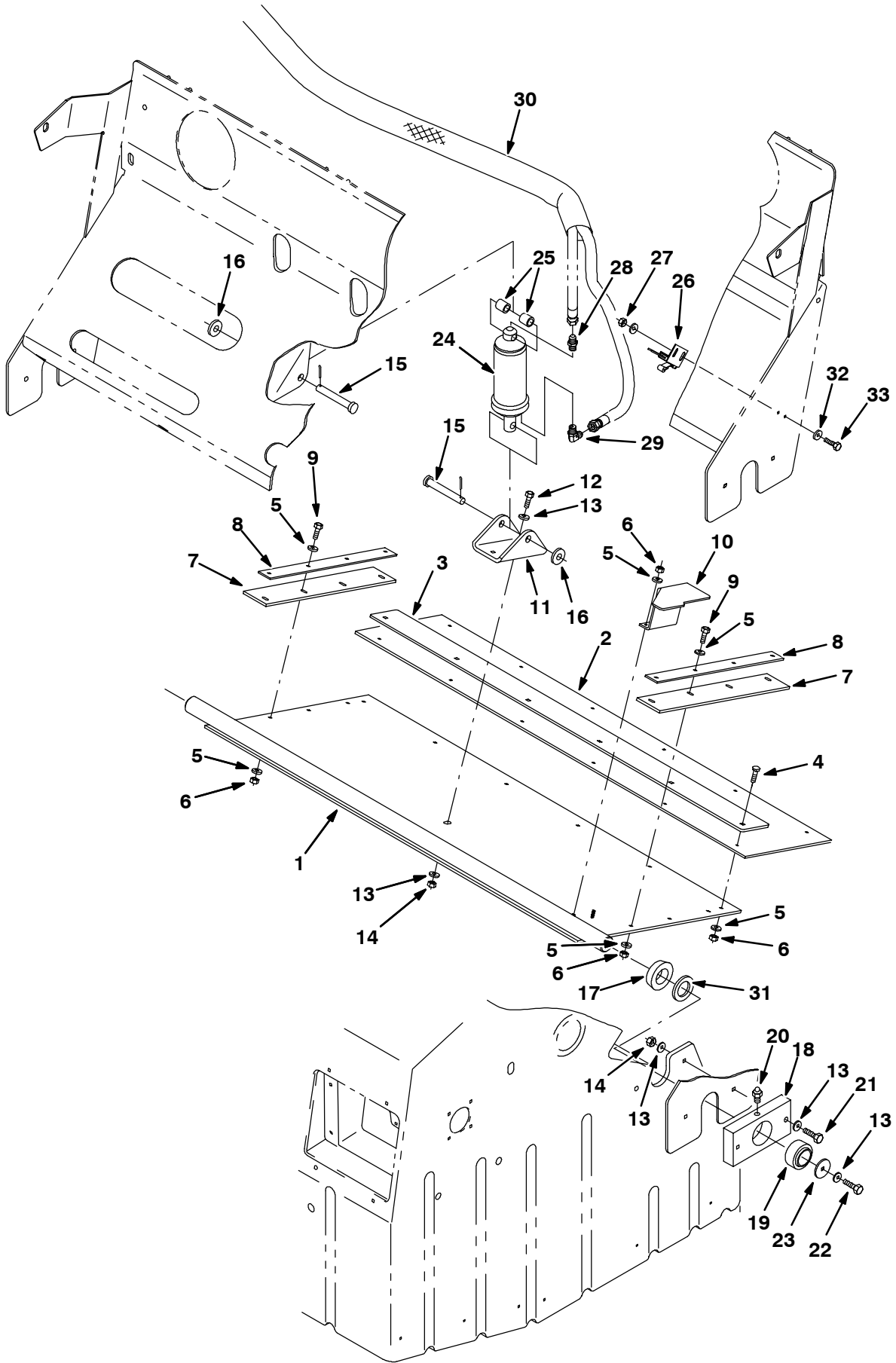




Fig. 36 - Hopper Cylinder and Dump Door Group

Ref.	Tennant Part No.	Machine Serial Number	Description	Qty.
1	379701	(000000-	) Door Wldt, Dump	1
2	379699	(000000-	) Seal, Door, Dump	1
3	379698	(000000-	) Plate, Retainer, Dump Door	1
4	379791	(000000-	) Bolt, Carriage M6x1.0 Pltd	6
5	01684	(000000-	) Washer, Flat, .25 Ss	26
6	08712	(000000-	) Nut, Hex, Lock, M06-1.0, NI,Ss	16
7	379702	(000000-	) Seal, Door, Dump, Side	2
8	379703	(000000-	) Strap, Door, Dump, Side	2
9	08716	(000000-	) Screw, Hex, M06-1.0 X 25, Ss	8
10	379809	(000000-	) Bracket, Switch, Door	1
11	379728	(000000-	) Bracket, Cylinder	1
12	09010	(000000-	) Screw, Hex, M08-1.25 X 25, Ss	2
13	01685	(000000-	) Washer, Flat, .31 Ss	14
14	08713	(000000-	) Nut, Hex, Lock, M08-1.25,NI,Ss	6
15	06474A	(000000-	) Pin, Clevis	2
16	32486	(000000-	) Washer, Flat, .50 Sae	2
17	379821	(000000-	) Seal, Shaft	2
18	55914	(000000-	) Hub, Pivot	2
19	42120-1	(000000-	) Bearing, Align. Self 1.25B	2
20	47801	(000000-	) Fitting, Grease, Str	2
21	222504	(000000-	) Screw-Hexssm 8x1.25 55	4
22	49826	(000000-	) Screw, Hex, M08-1.25 X 16, Ss	2
23	379829	(000000-	) Washer, .344B 1.5D .12Cr	2
24	54096	(000000-	) Cylinder, Hyd 2.0B 4.0S 2500	1
25	364697	(000000-	) Tube, 0.75D 0.51B 0.8L Stl	2
26	59965	(000000-	) Switch Assembly, Roller-No	1
27	09739	(000000-	) Nut, Hex, Lock, M05-0.8, NI,Ss	2
28	55586	(000000-	) Fitting, Hyd, Str	1
29	77097	(000000-	) Fitting, Hyd, Elbow	1
30	84029	(000000-	) Sleeve, 45" Lg	1
31	379832	(000000-	) Washer, 1.25Ob 2.0D .19L	2
32	01683	(000000-	) Washer, Flat 10 Ss	4
33	24199	(000000-	) Screw, Hex, M05-0.8 X 16, Ss	2

Fig. 37 - Hopper Hood Group

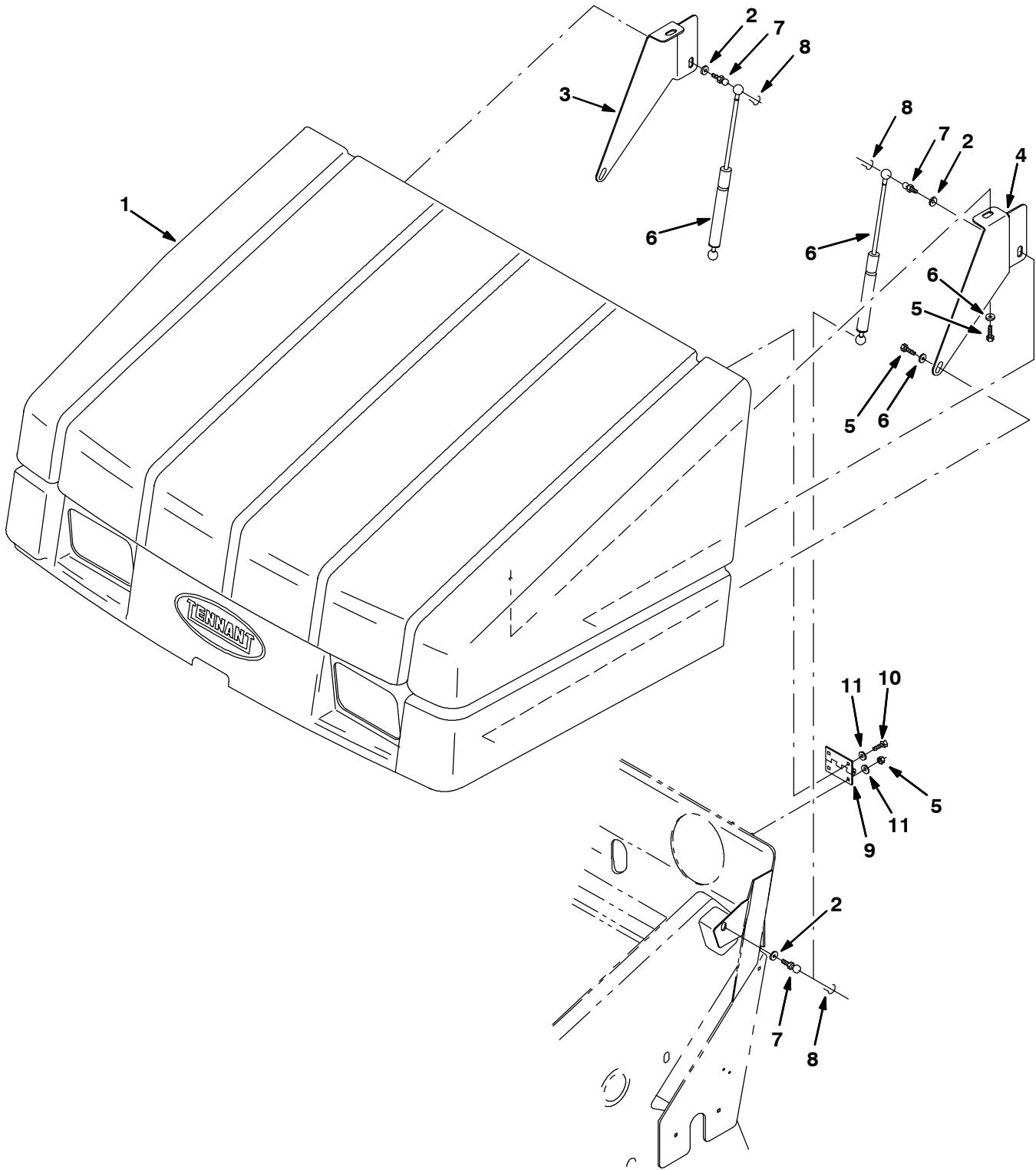


Fig. 37 - Hopper Hood Group

Ref.	Tennant Part No.	Machine Serial Number	Description	Qty.
1	379881	(000000-	) Cover, Hopper, 6500	1
2	01685	(000000-	) Washer, Flat, .31 Ss	4
3	379786	(000000-	) Bracket, Hood, Rh	1
4	379787	(000000-	) Bracket, Hood, Lh	1
5	08708	(000000-	) Nut, Hex, Lock, M06-1.0, NI	6
6	64535	(000000-	) Spring-Gas 120Lb 7.1 Stroke	2
7	58494	(000000-	) Stud, Ball, Gas Spring	4
8	64595	(000000-	) Clip, Safety Gas Spring	4
9	379784	(000000-	) Hinge, Hopper Cover	3
10	11329	(000000-	) Screw, Hex, M06-1.0 X 16, Ss	6
11	32490	(000000-	) Washer, Flat, .25 Hard	12

Fig. 38 - Hopper Bumper Group

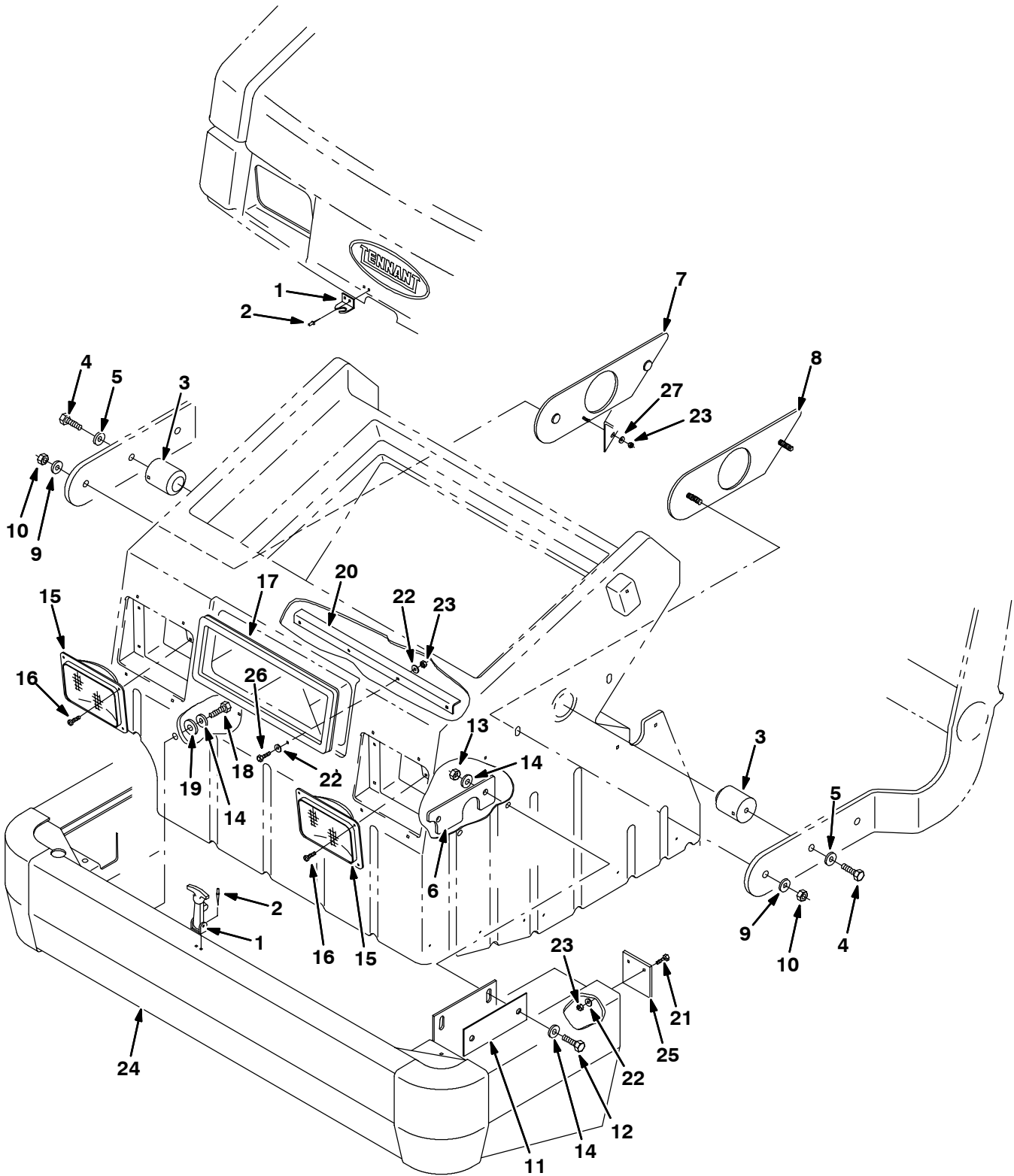


Fig. 38 - Hopper Bumper Group

Ref.	Tennant Part No.	Machine Serial Number	Description	Qty.
1	11636	(000000-	) Latch, Draw, Flexible	1
2	01335	(000000-	) Rivet, Pop- .125Dx.44x.25	4
3	364498	(000000-	) Pin, Hopper, Lift	2
4	69972	(000000-	) Screw, Hex, M12-1.75 X 40,10.9	2
5	36328	(000000-	) Washer, Belleville, .50	2
6	379820	(000000-	) Plate, Retainer, Bumper	2
7	379788	(000000-	) Plate, Retainer, Rh	1
8	379789	(000000-	) Plate, Retainer, Lh	1
9	36328	(000000-	) Washer, Belleville, .50	4
10	08711	(000000-	) Nut, Hex, Lock, M12-1.75,NI	4
11	379827	(000000-	) Plate, Retainer, Bumper	2
12	09774	(000000-	) Screw, Hex, M12-1.75 X 50, Ss	4
13	09741	(000000-	) Nut, Hex, Lock, M12-1.75,NI,Ss	4
14	36328	(000000-	) Washer, Belleville, .50	10
15	58524	(000000-	) Headlight, 12V. Rect.	2
16	360943	(000000-	) Screw, Pan, #10-14 X 0.75	8
17	379883	(000000-	) Seal, Bulb	1
18	09029	(000000-	) Screw, Hex, M12-1.75 X 40, Ss	2
19	32494	(000000-	) Washer, Flat, .62 Hard	2
20	379833	(000000-	) Bracket, Stiffener	1
21	08716	(000000-	) Screw, Hex, M06-1.0 X 20, Ss	4
22	01684	(000000-	) Washer, Flat, .25 Ss	16
23	08712	(000000-	) Nut, Hex, Lock, M06-1.0, NI,Ss	10
24	379551	(000000-	) Bumper Wldt, Front	1
25	59448	(000000-	) Skirt, Bumper Stop	2
26	08716	(000000-	) Screw, Hex, M6-1.0, Ss	4
27	41178	(000000-	) Washer, Flat, .25 Fender Pltd	2

Fig. 39 - Filter Box Group

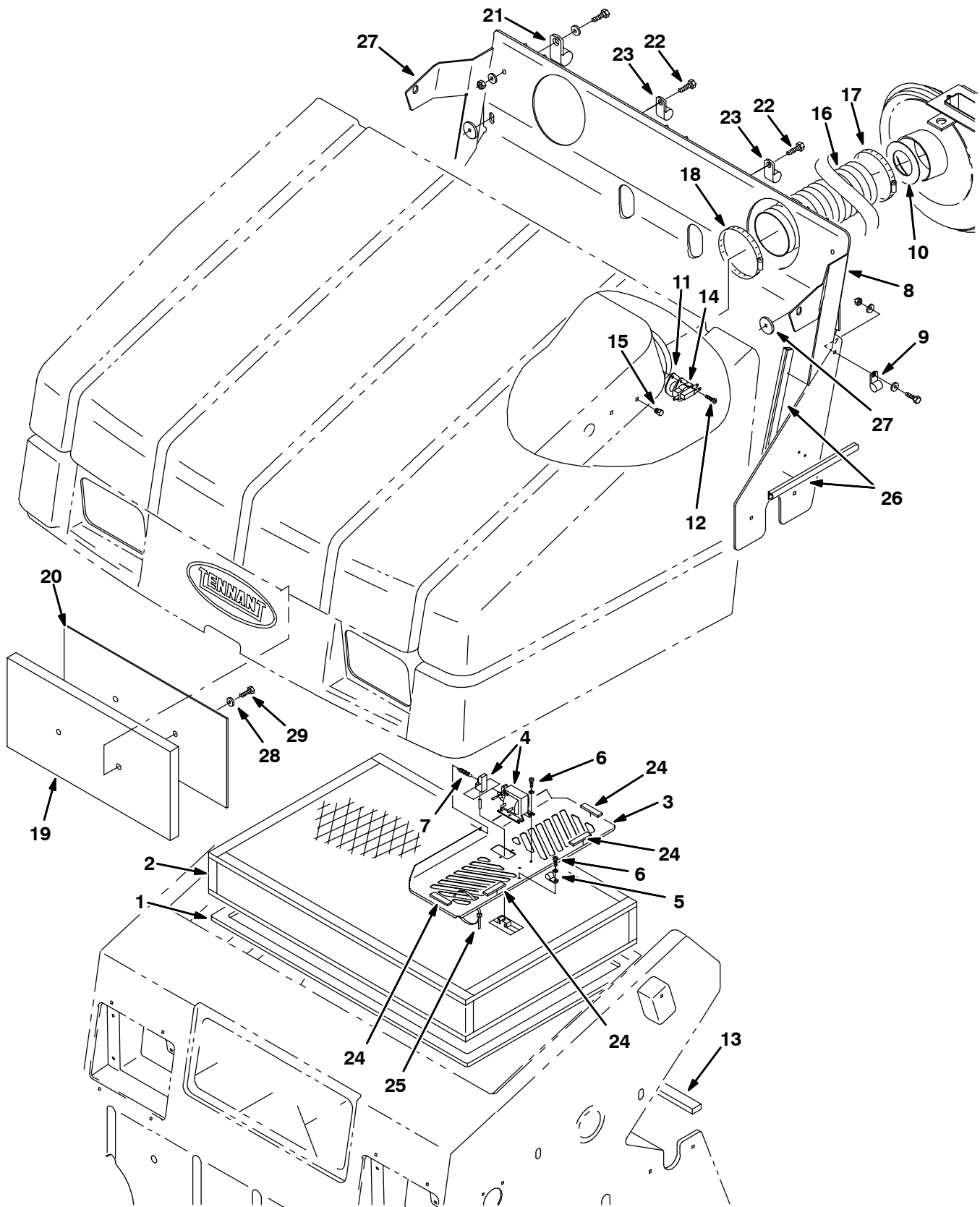


Fig. 39 - Filter Box Group

Ref.	Tennant Part No.	Machine Serial Number	Description	Qty.
1	379817	(000000-	) Seal, Foam Rubber, Filter	1
2	375209	(000000-	) Filter Pkg, Dust, Panel, 94 Plts	1
2	379882	(000000-	) Kit, Filter, Synthetic (Option)	1
2	375249	(000000-	) Kit, Filter, Surface Load, 98 Plts (Option)	1
3	379555	(000000-	) Plate, panel, Shaker	1
4	379890	(000000-	) Solenoid Assy, Filter Shaker	1
5	26395-2	(000000-	) Clamp, Cable	1
6	49697	(000000-	) Screw, Pan, M04-0.7 X 10, Ss	5
7	81812	(000000-	) Spring, Tension, Shaker	1
8	379708	(000000-	) Bracket Wldt, Hopper	1
9	46236	(000000-	) Clamp, Cable	1
10	379849	(000000-	) Restrictor Ring Kit	1
11	82733	(000000-	) Gasket	1
12	360943	(000000-	) Screw, Pan, #10-14 X 0.75	2
13	375202	(000000-	) Seal, Ure, 0.38th, 0.75w 40.0l Adh	1
14	367679	(000000-	) Switch, Thermostat	1
15	50896	(000000-	) Fitting, Plstc, Plug, Pm02	1
16	77320	(000000-	) Hose, Vacuum	1
17	23498	(000000-	) Clamp, Wormdrive	1
18	379823	(000000-	) Clamp, Bridge, 4.0	1
19	379816	(000000-	) Seal, Foam Rubber, Front	1
20	379830	(000000-	) Sheet, Plastic, Backup	1
21	43560	(000000-	) Clamp, Cable	1
22	361339	(000000-	) Screw, Hex, Fmg, M06-1.0 X 16 Pltd	2
23	69234	(000000-	) Clamp, Cable	2
24	379822	(000000-	) Seal	4
25	49266	(000000-	) Cable Tie	2
26	86330	(000000-	) Duct, Vinyl	2
27	379829	(000000-	) Washer, .344B	2
28	41178	(000000-	) Washer, Fender, .25	2
29	07805	(000000-	) Screw, Hex, M6	2

Fig. 40 - Hopper Lift Arms Group

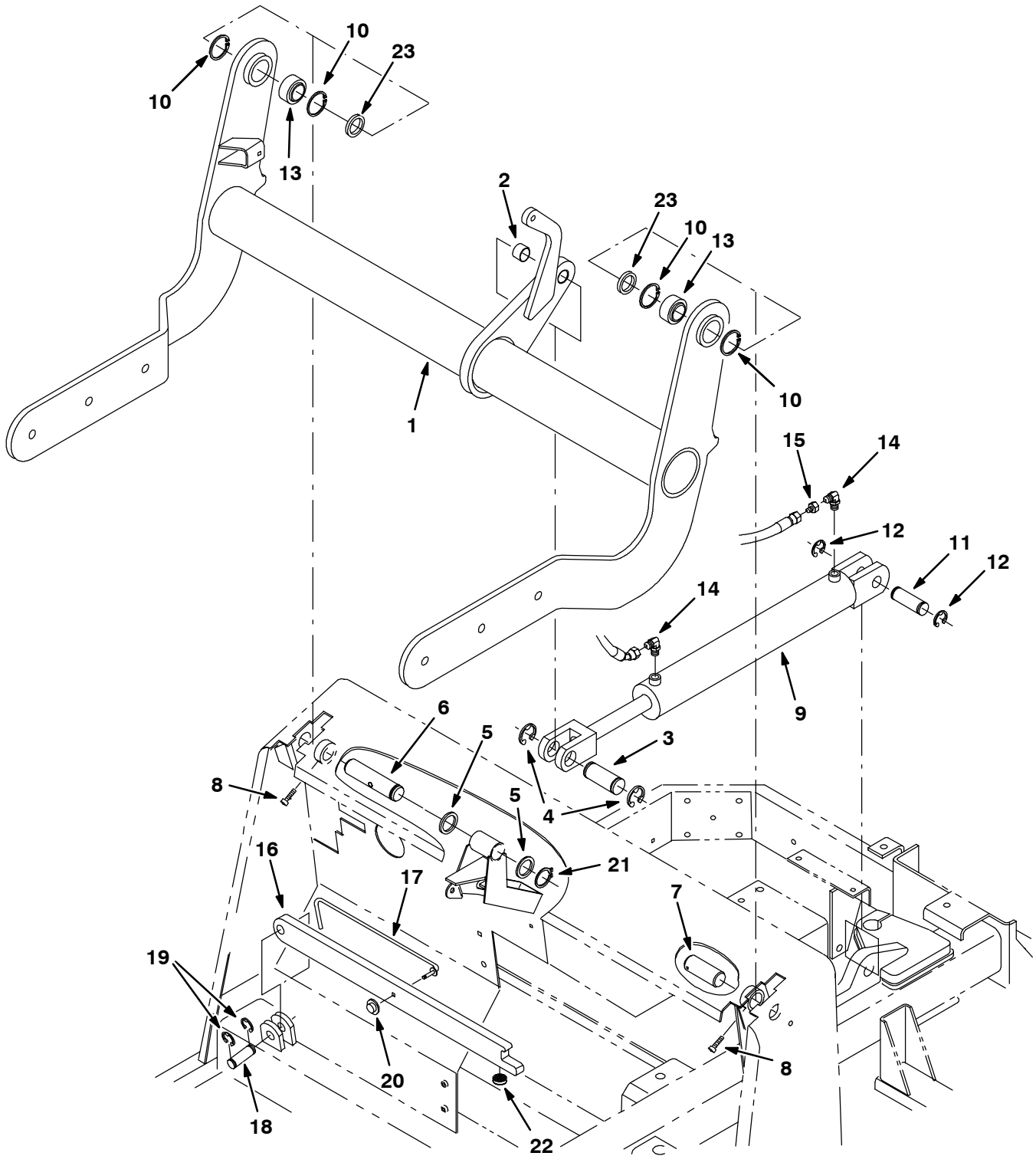




Fig. 40 - Hopper Lift Arms Group

Ref.	Tennant Part No.	Machine Serial Number	Description	Qty.
1	59825	(000000-	) Arm Assy, Hopper w/label	1
▽	69908	(000000-	) Pin Assy, Clevis, Hopper Lift	1
▲	2 59866	(000000-	) Bearing, Journal 1.25 ldx1.0Lg	1
▲	3 59867	(000000-	) Pin, Grooved	1
▲	4 59861	(000000-	) Ring, Retaining, Ext, 1.25 Dia	2
5	54079	(000000-	) Washer,1.281B 1.75D .08Cr Znc	4
6	55462	(000000-	) Pin, Rh	1
7	55463	(000000-	) Pin, Lh	1
8	39308	(000000-	) Scr Soc M 8X1.25 25	2
9	74419	(000000-	) Cylinder-Hyd (See Breakdowns)	1
10	59542	(000000-	) Ring, Retaining, Intl, 2.00Dia	4
11	59380	(000000-	) Pin-Grvd,1.00D 3.0L2/ 2.71Btw	1
12	23788	(000000-	) Ring,Retain,Ex,0.98Od,E-Ring	2
13	42120-1	(000000-	) Bearing-Self Align 1.250 Bore	2
14	77097	(000000-	) Ftg-Hyd E90 Jm04/Om04	2
15	16455	(000000-	) Ftg-Hyd Rst Jm04/.047	1
16	59827	(000000-	) Arm Assy, Safety w/label	1
17	58645	(000000-	) Handle, Safety Arm	1
18	59842	(000000-	) Pin, Arm, Safety	1
19	23788-1	(000000-	) Ring, Retaining, Ext, .75 Dia	2
20	59849	(000000-	) Nut, Retainer R/.312 Dia	1
21	58359	(000000-	) Retaining Ring-External, 1.25D	1
22	16786	(000000-	) Bumper, Safety Arm	1
23	70272	(000000-	) Washer, 1.281B 1.75Od .31Hrznc	2
23	70271	(000000-	) Washer, 1.281B 1.75Od .25Hrznc	2

Fig. 41 - Side Brush Motor and Pivot Group

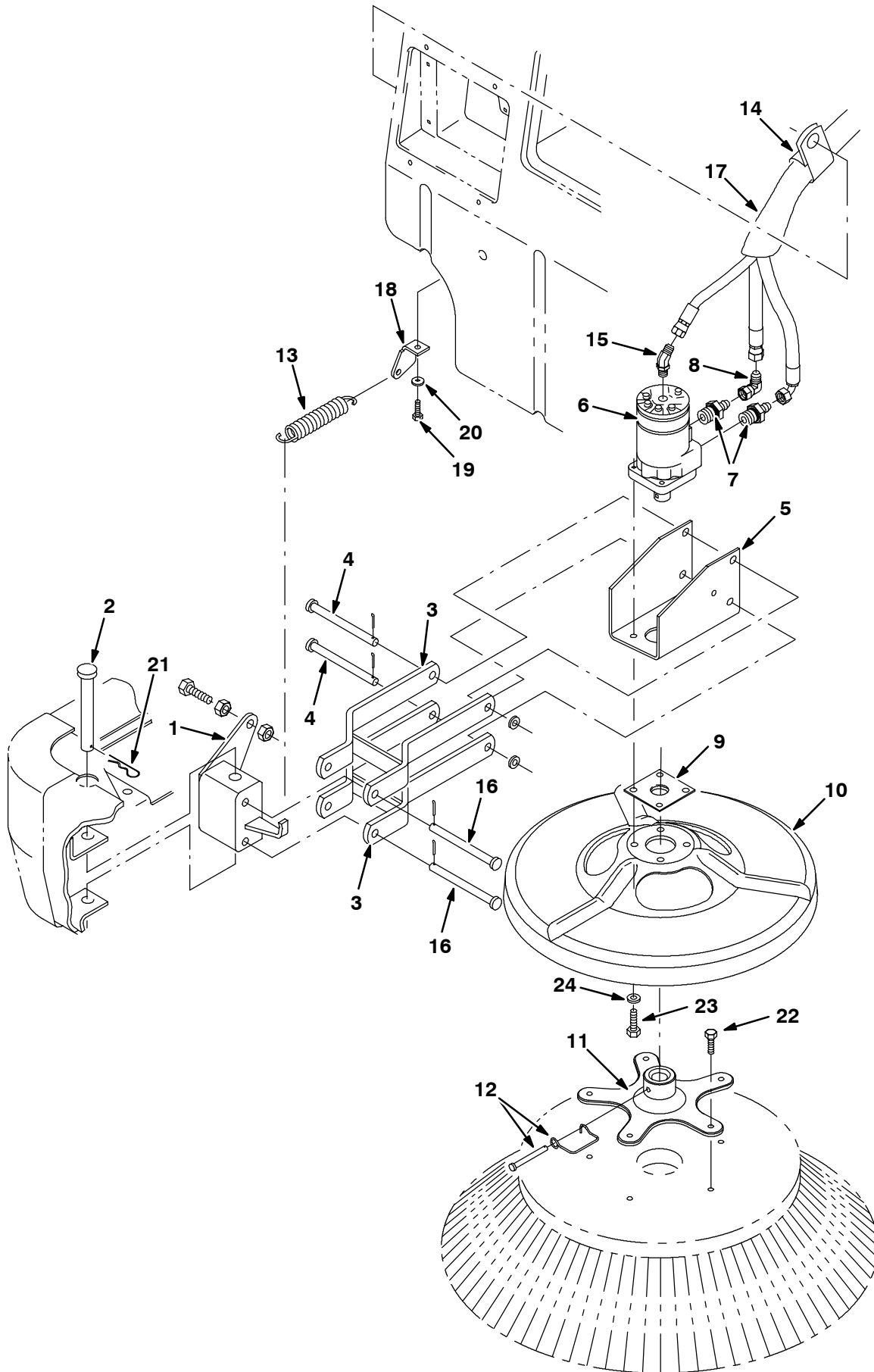


Fig. 41 - Side Brush Motor and Pivot Group

Ref.	Tennant Part No.	Machine Serial Number	Description	Qty.
1	54050	(000000-	) Pivot Assy, S Br	1
2	54660	(000000-	) Pin, Clevis .75 Dia X 5.5 Lg	1
3	53965	(000000-	) Arm Assy, Lift	2
4	51225	(000000-	) Pin,Clevis,0.50 Dia.X 5.50 Lg	2
5	379557	(000000-	) Bracket, Motor	1
6	379607	(000000-	) Motor-Hyd Gear (See Breakdowns)	1
7	47508	(000000-	) Ftg-Hyd Str Jm06/Om10	2
8	47504	(000000-	) Ftg-Hyd E90 Jm06/Jf06	1
9	16082	(000000-	) Guard, String, Brush Motor	1
10	379532	(000000-	) Guard, Brush	1
11	379534	(000000-	) Hub, Brush Adaptor	1
12	84581	(000000-	) Pin Assy, Side Brush W/Clip	1
13	47745	(000000-	) Sprng,Tens,1.12Odx.14Wire 6.3L	1
14	53466	(000000-	) Clamp, Hose	2
15	34359	(000000-	) Ftg-Hyd E45 Jm04/Om04	1
16	51538	(000000-	) Pin,Clevis,0.50 Dia.X 5.00 Lg	2
17	75028	(000000-	) Sleeve-Nyln #20 65.0L	1
18	379815	(000000-	) Bracket, Spring, Sidebrush	1
19	49826	(000000-	) Screw-Hexss M8x1.25	1
20	01685	(000000-	) Washer Flt .31 Ss	1
21	02942	(000000-	) Pin, Hair Cotter	1
22	39396	(000000-	) Screw, Hex, .31-12 X 1.50, Fmg, [Ab]	5
23	46559	(000000-	) Screw, Hex, .38-16x1.25, NI	4
24	32492	(000000-	) Washer, Flt, .38 Std	4

Fig. 42 - Side Brush Lift Group

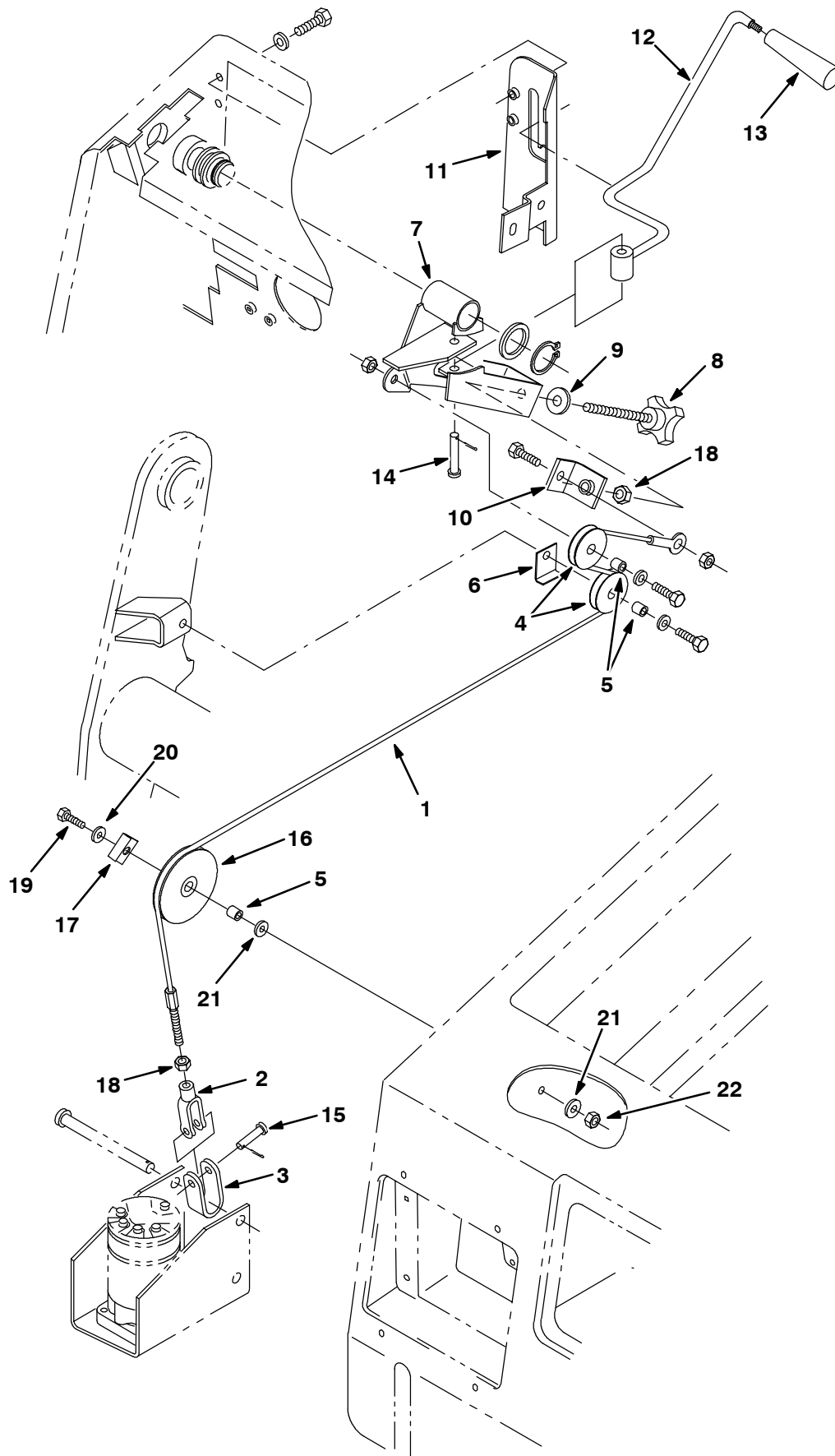


Fig. 42 - Side Brush Lift Group

Ref.	Tennant Part No.	Machine Serial Number	Description	Qty.
1	54934	(000000-	) Cable, Lift, S Br	1
2	12267	(000000-	) Yoke,End-Adjustable	1
3	59899	(000000-	) Bracket, Side Brush	1
4	74391	(000000-	) Pulley Assy - Cable, 1.5 Dia	2
5	222460	(000000-	) Spacer, Pulley	3
6	54400	(000000-	) Angle, Cable Keeper	1
7	374573	(000000-	) Bracket, S Br Lift	1
8	54848	(000000-	) Knob, Adjusting	1
9	52296	(000000-	) Washer, .405B .81D .06Nylon	1
10	56662	(000000-	) Bracket	1
11	58872	(000000-	) Panel, Support	1
12	56641	(000000-	) Lever Wldt, S Br	1
13	54995	(000000-	) Knob, Tapered	1
14	29584	(000000-	) Pin,Clevis,0.37 Dia.X 2.00 Lg	1
15	29558	(000000-	) Pin,Clevis,0.37 Dia.X 1.50 Lg	1
16	379684	(000000-	) Pully Assembly 2.75	1
17	379686	(000000-	) Angle, Cable Keeper	1
18	32716	(000000-	) Nut-Hx Jam M10x1.5 Ss	3
19	09026	(000000-	) Screw, Hex, M08 X 1.25 X 40, Ss	1
20	32491	(000000-	) Washer, Flt, .31 Std	1
21	64153	(000000-	) Washer, 0.34d 1.12d .11, Stl, Pl	2
22	08713	(000000-	) Nut, Hex, Lock, M08 X 1.25,NI, Ss	1

Fig. 43 - Main Brush Lift Group

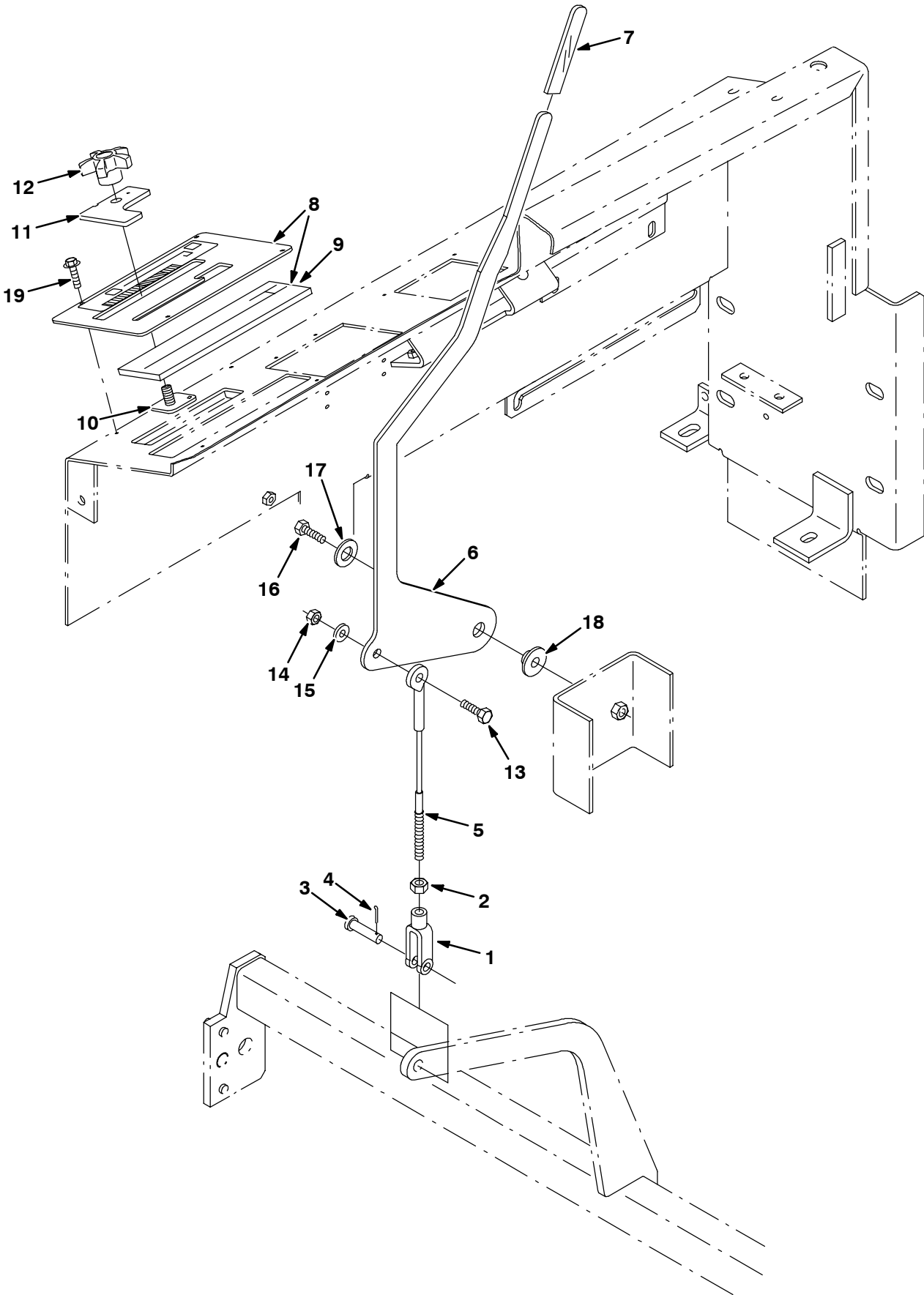


Fig. 43 - Main Brush Lift Group

Ref.	Tennant Part No.	Machine Serial Number	Description	Qty.	
1	12267	(000000-	) Clevis, Adj, 0.38pin, M10x1.5	1	
2	32716	(000000-	) Nut, Hex, Jam, M10 X 1.5, Ss	1	
3	86240	(000000-	) Pin, Clevis, 0.38 D X 1.13l	1	
4	08179	(000000-	) Pin, Cotter, .094 X 1.00	1	
5	383194	(000000-	) Cable, Lift, Main Brush	1	
6	383150	(000000-	) Lever, Lift	1	
7	360467	(000000-	) Grip, Vinyl	1	
▽	8	383215	(000000-	) Panel, Main Brush, W/ Label, [6500]	1
▲	9	383196	(000000-	) Seal, Handle, Lift	1
10	383200	(000000-	) Plate Wldt, Stop, [6500]	1	
11	383201	(000000-	) Plate Wldt, Brush, Adj, [6500]	1	
12	383205	(000000-	) Knob, Star, 2.2od 8ear 1.1l M10x1.5 Pls	1	
13	09740	(000000-	) Screw, Hex, M08 X 1.25 X 20, Ss	1	
14	08709	(000000-	) Nut, Hex, Lock, M08 X 1.25,NI	1	
15	32491	(000000-	) Washer, Flt, .31 Std	1	
16	09028	(000000-	) Screw, Hex, M10x1.5x25, Ss	1	
17	07450	(000000-	) Bearing, Thrust, 0.66B 1.25D 0.06W	1	
18	363087	(000000-	) Bushing, Flng, 0.44b 1.25d 0.25l	1	
19	16944	(000000-	) Screw, Hex, M04 X 0.7 X 10, Fmg	4	

**Fig. 44 - Main Brush Drive Group**

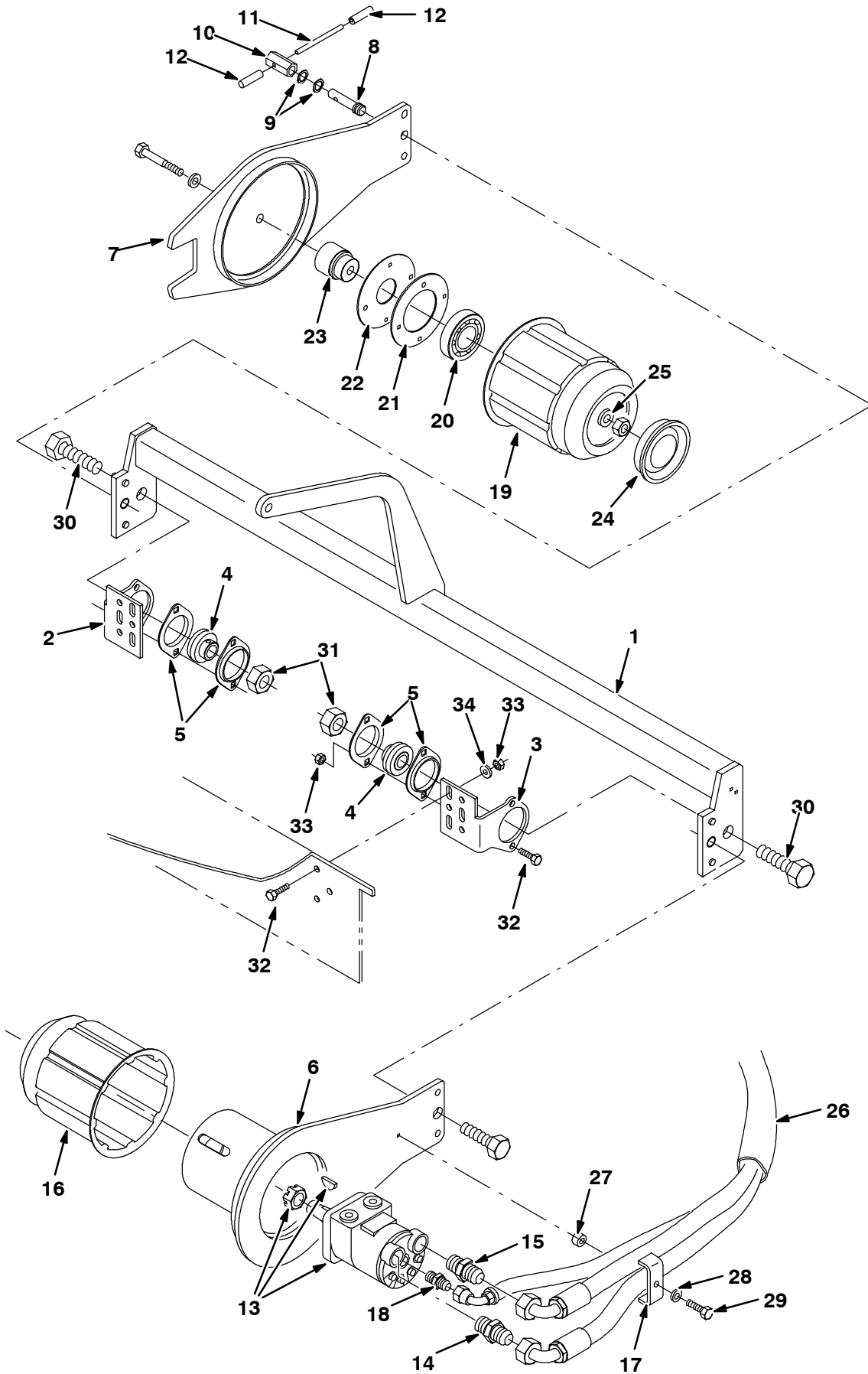




Fig. 44 - Main Brush Drive Group

Ref.	Tennant Part No.	Machine Serial Number	Description	Qty.
1	383137	(000000-	) Tube Wldt	1
2	383142	(000000-	) Bracket, Mtg, Rh	1
3	383143	(000000-	) Bracket, Mtg, Lh	1
4	25887	(000000-	) Bearing, W/ Collar, 0.75b 1.85d 1.06w	2
5	35973	(000000-	) Flange, Brg, 1.9id 2h	4
6	383139	(000000-	) Arm Wldt, Brush, Lh	1
7	383210	(000000-	) Arm, Brush, W/ Label, [6500]	1
8	360110	(000000-	) Stud, Special	1
9	52508	(000000-	) Washer	2
10	360109	(000000-	) Bar, Hex, Stl, 0.75 1.6l .50h Thru	1
11	11631	(000000-	) Pin, Roll, .250 D X 3.50l, .250/.256	1
12	360492	(000000-	) Cap	2
13	379608	(000000-	) Motor, Hyd, Gear (See Breakdown)	1
14	44869	(000000-	) Fitting, Hyd, Str, Jm08/Om08	1
15	52402	(000000-	) Fitting, Hyd, Str, Jm06/Om08	1
16	87631	(000000-	) Plug Wldt, Drive, Brush, Sweep	1
17	51715	(000000-	) Bracket, U, .18 2.8 0.9 1.0l 1/0.3h	1
18	55586	(000000-	) Fitting, Hyd, Str, Jm04/Om04	1
19	55779	(000000-	) Plug Wldt, Idler, Brush	1
20	24899	(000000-	) Ring, Ball, 1.38b 2.83d 0.67w	1
21	30252	(000000-	) Strip, Retainer	1
22	30253	(000000-	) Plate, Seal	1
23	30251	(000000-	) Shaft	1
24	30255	(000000-	) Plug	1
25	51564	(000000-	) Washer, 0.53b 1.75d .12, Stl, PI	1
26	82831	(000000-	) Sleeve, Nyl, #27 35.0l	1
27	56228	(000000-	) Tube, Plstc, 0.31od 0.25id 00.5l, Blk	1
28	01684	(000000-	) Washer, Flt, .25 Ss	1
29	07805	(000000-	) Screw, Hex, M06 X 1.0 X 35, Ss	1
30	39395	(000000-	) Screw, Hex, M10x1.5x25, Ss	2
31	32987	(000000-	) Nut, Hex, Lock, .75-10NI	2
32	09740	(000000-	) Screw, Hex, M08x1.25x20, Ss	10
33	08709	(000000-	) Nut, Hex, lock, M08x1.25, NI	10
34	32491	(000000-	) Washer, Flt, .31 Std	3

Fig. 45 - Vacuum Fan Group

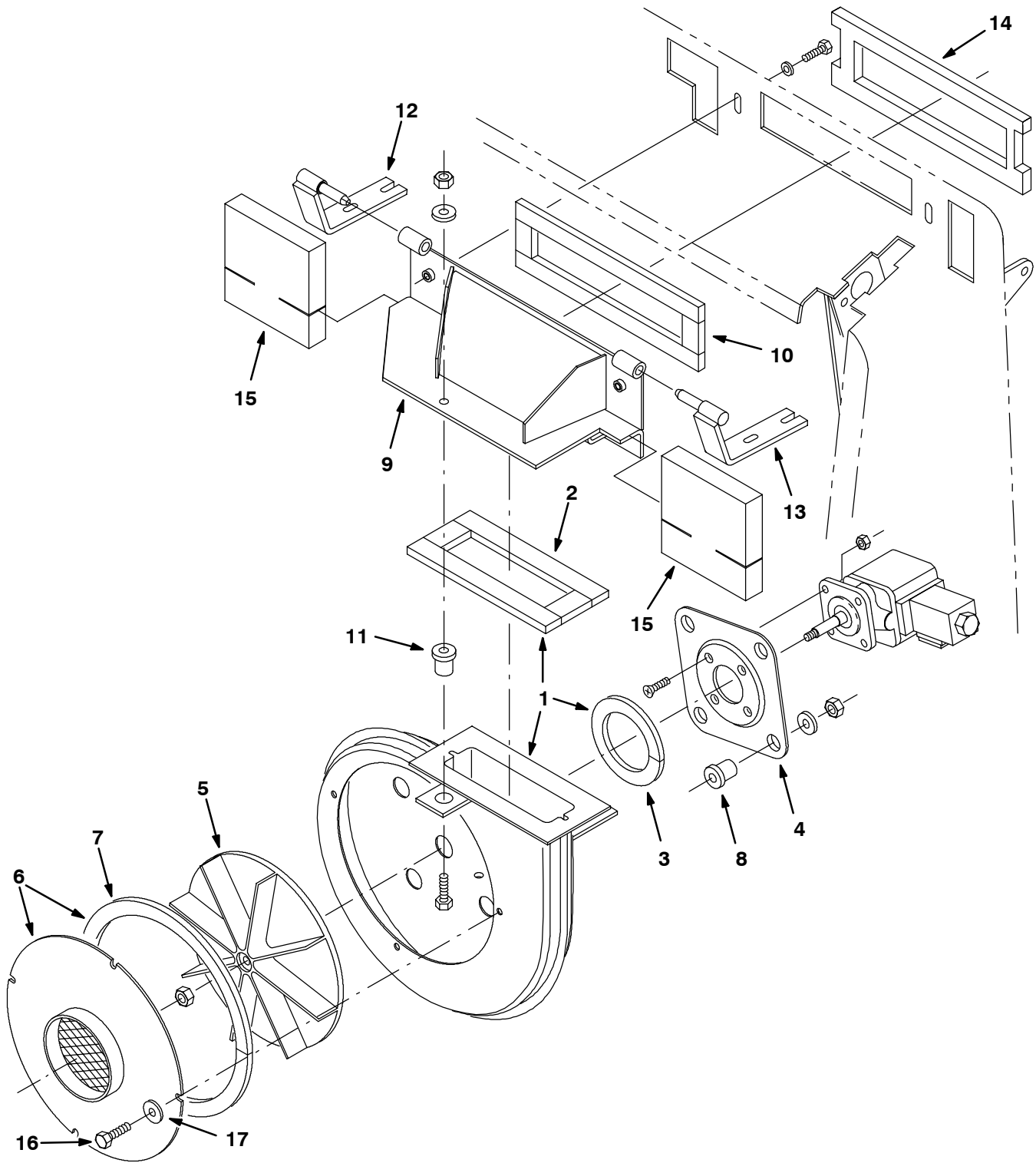


Fig. 45 - Vacuum Fan Group

	Ref.	Tennant Part No.	Machine Serial Number	Description	Qty.
▽	1	72133	(000000-	) Fan Wldt, Vac w/gaskets	1
▲	2	59734	(000000-	) Seal, Fan, Vac, Outlet	1
▲	3	59967	(000000-	) Seal, Fan, Vac, Motor	1
	4	54275A	(000000-	) Bracket, Mounting Motor	1
	5	74454	(000000-	) Impeller 9.00 Dia.	1
▽	6	59656	(000000-	) Fan Wldt, Vac, Inlet w/gasket	1
▲	7	59735	(000000-	) Seal, Fan, Vac, Inlet	1
	8	54274	(000000-	) Isolator-Vibration,60 Lb.Ratng	4
	9	58540	(000000-	) Fan Wldt, Vac, Transition	1
	10	378972	(000000-	) Seal, Fan, Vac, Transition	1
	11	59649	(000000-	) Isolator, Vibration .37 Dia	1
	12	374504	(000000-	) Hinge Wldt, Engine Cover, Rh	1
	13	374505	(000000-	) Hinge Wldt, Engine Cover, Lh	1
	14	69990	(000000-	) Insulation, Acoustic, Engine Cover	1
	15	66184	(000000-	) Seal, Acoustic, Engine Cover	2
	16	34323	(000000-	) Scr-Hex .25-20x0.75 Nylonloc	4
	17	41178	(000000-	) Washer Flt .25 Fender Pltd	4

**Fig. 46 - Vacuum Fan Motor and Fittings Group**

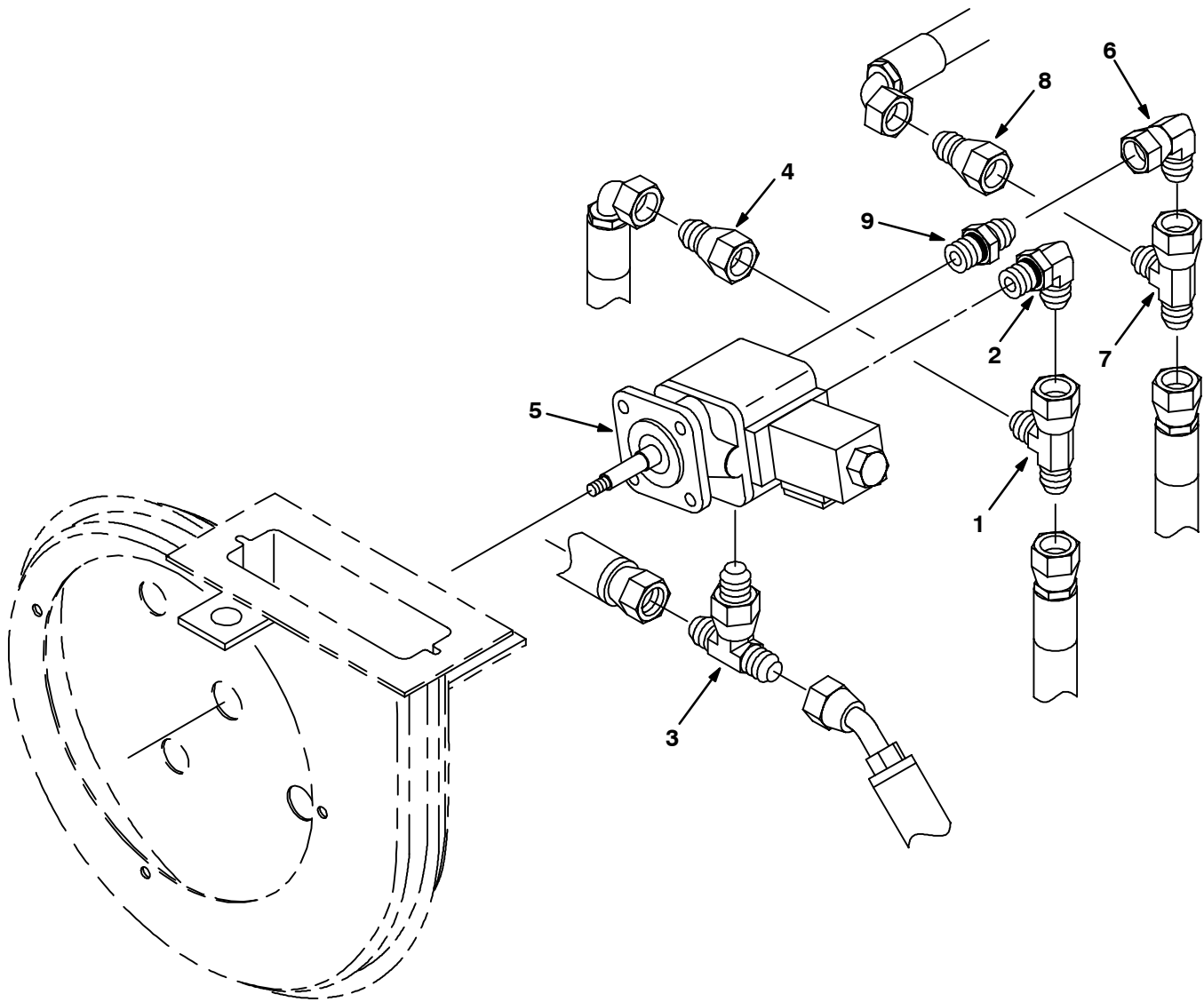


Fig. 46 - Vacuum Fan Motor and Fittings Group

Ref.	Tennant Part No.	Machine Serial Number	Description	Qty.
1	45482	(000000-	) Ftg-Hyd Tee Jm08Jmjf	1
2	44868	(000000-	) Ftg-Hyd E90 Jm08/Om08	1
3	31599	(000000-	) Ftg-Hyd Tee Jm04Omjm	1
4	57979	(000000-	) Ftg-Hyd Str Jm04/Jf08	1
5	53485	(000000-	) Motor-Hyd Gear (See Breakdowns)	1
6	35033	(000000-	) Ftg-Hyd E90 Jm12/Jf12	1
7	40514	(000000-	) Ftg-Hyd Tee Jm12Jmjf	1
8	59975	(000000-	) Ftg-Hyd Str Jm10/Jf12	1
9	62390	(000000-	) Ftg-Hyd Str Jm12/Om08	1

**Fig. 47 - Hydraulic Schematic**

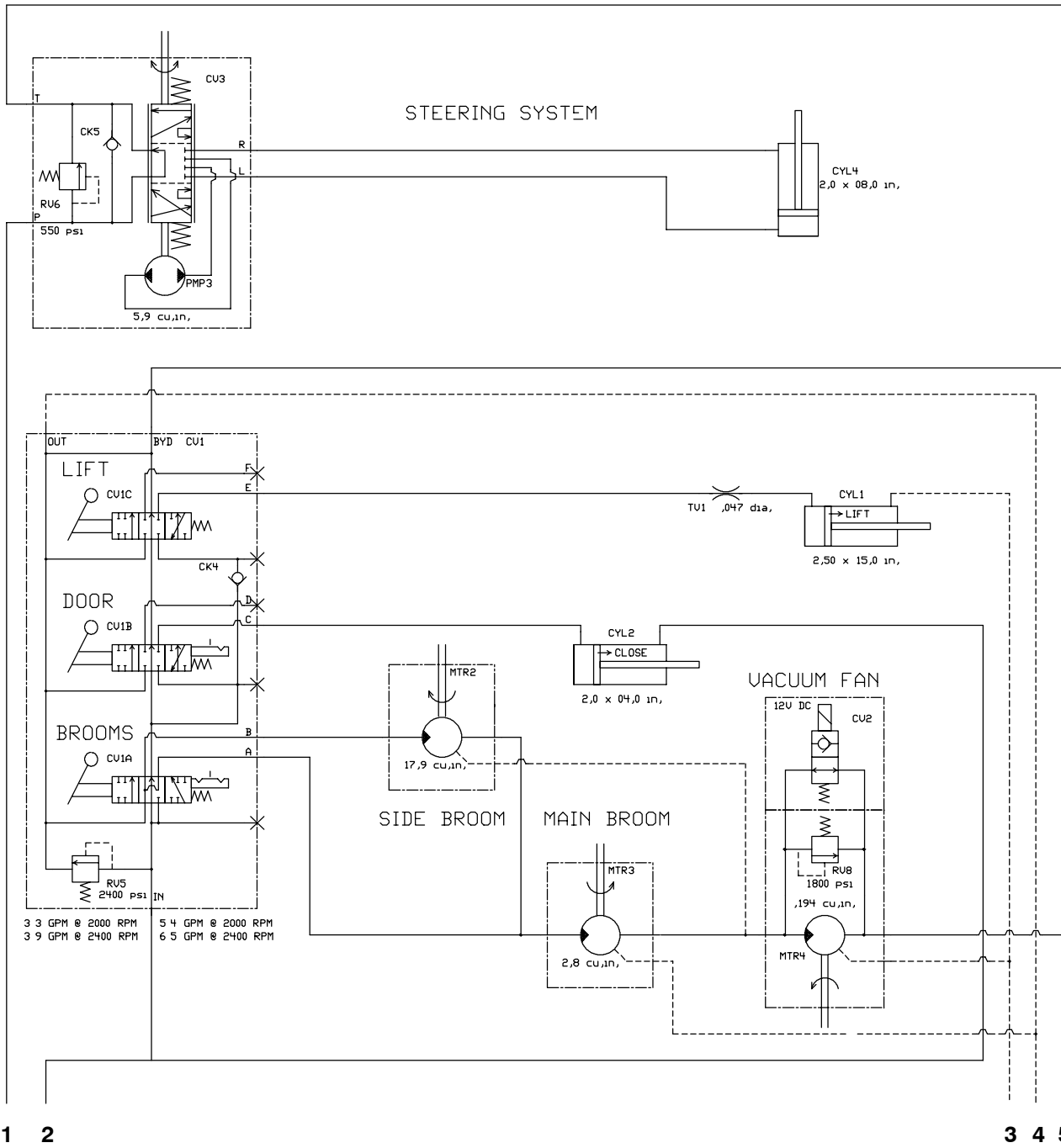
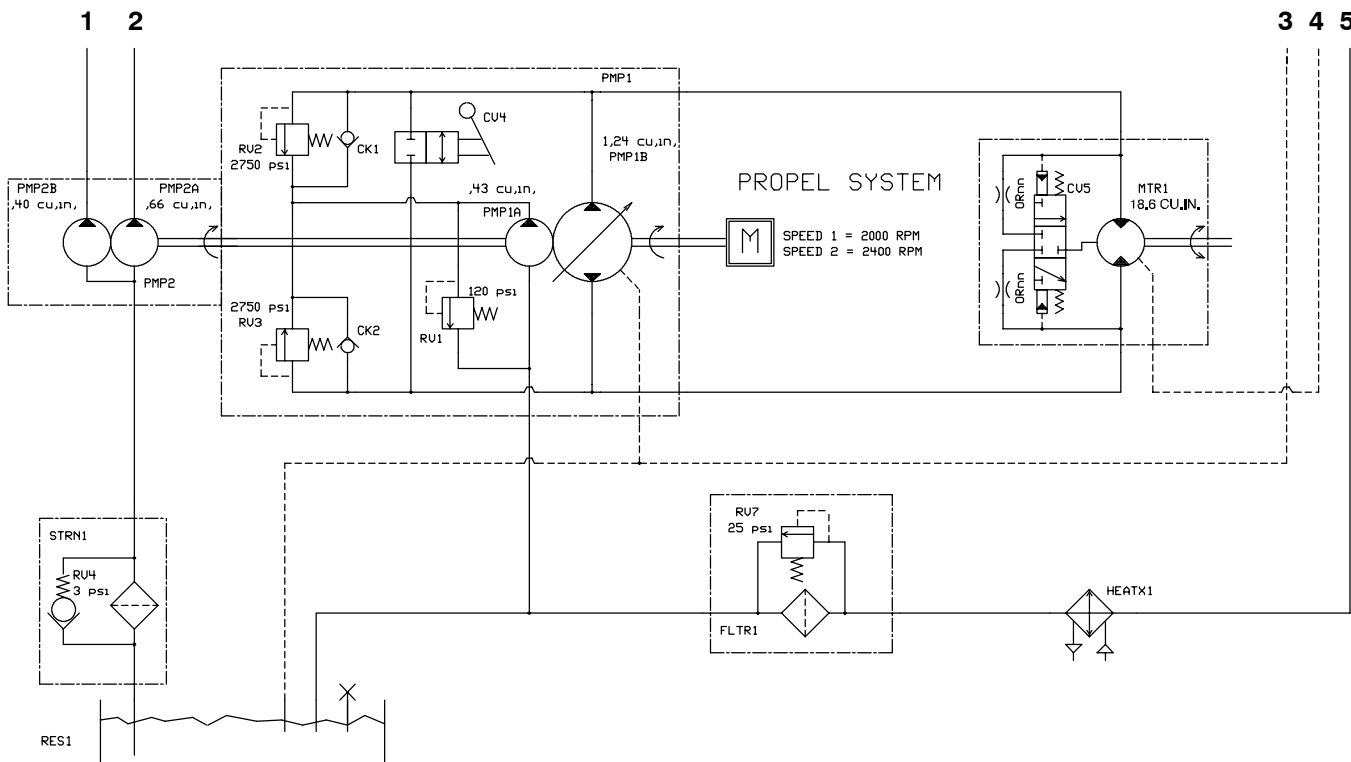


Fig. 47 - Hydraulic Schematic



351757 - 6500

Fig. 48 - Hydraulic Hose Group

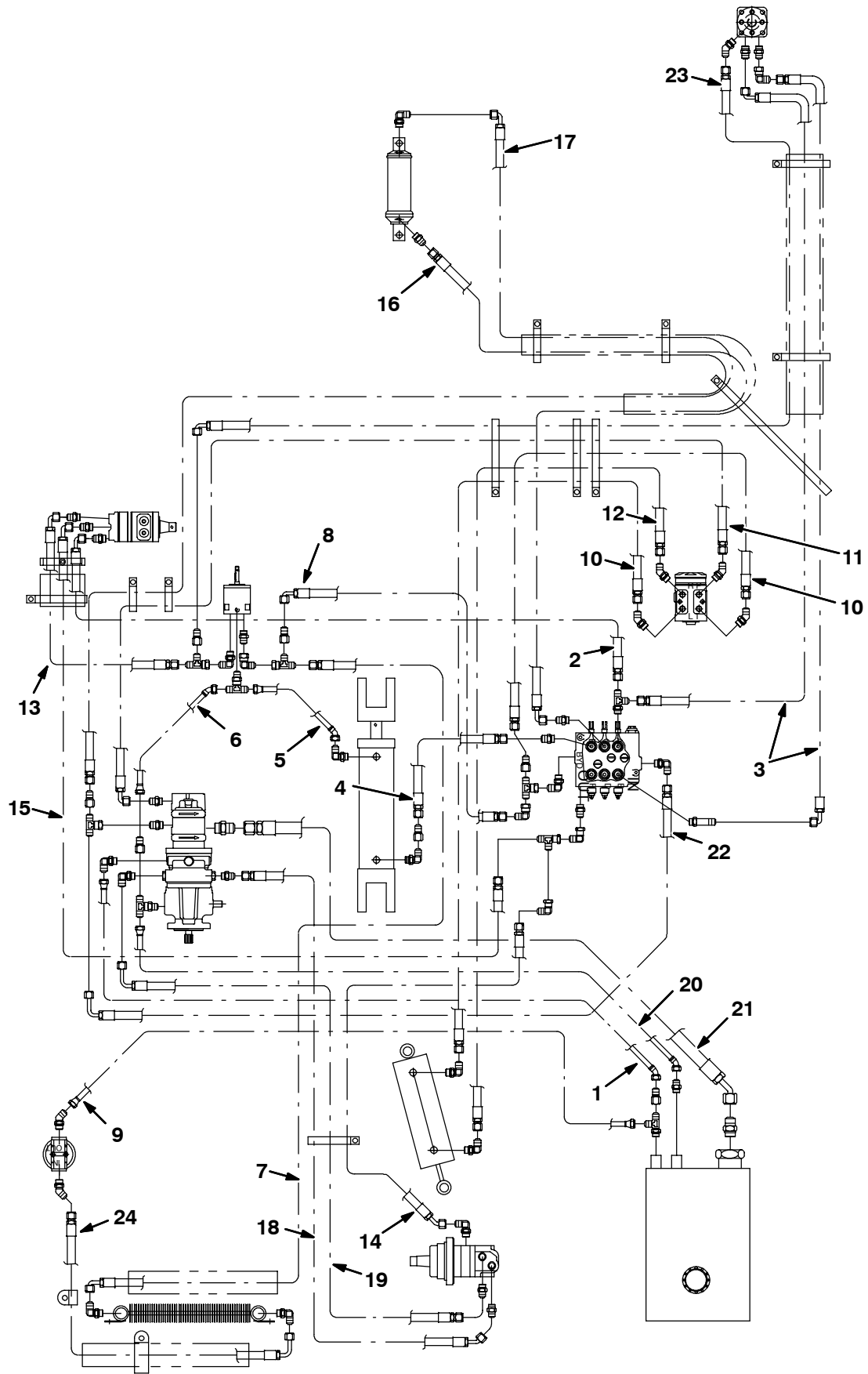




Fig. 48 - Hydraulic Hose Group

Ref.	Tennant Part No.	Machine Serial Number	Description	Qty.
1	59568	(000000-	) Hose-Hyd Low08 Jf/J4	1
2	59560	(000000-	) Hose-Hyd Med06 Jf/J9	1
3	02469	(000000-	) Hose-Hyd Med06 Jf/J9	2
4	55691	(000000-	) Hose-Hyd Med04 Jf/Jf	1
5	59565	(000000-	) Hose-Hyd Low04 Jf/J4	1
6	59564	(000000-	) Hose-Hyd Low04 Jf/J4	1
7	31719	(000000-	) Hose-Hyd Med12 Jf/J9	1
8	59563	(000000-	) Hose-Hyd Med10 Jf/J9	1
9	35488	(000000-	) Hose-Hyd Low12 Jf/Jf	1
10	62100	(000000-	) Hose-Hyd Med06 Jf/Jf	2
11	59561	(000000-	) Hose-Hyd Med06 Jf/J9	1
12	62337	(000000-	) Hose-Hyd Med06 Jf/Jf	1
13	19637	(000000-	) Hose-Hyd Med08 Jf/J9	1
14	59585	(000000-	) Hose-Hyd Med04 Jf/J4	1
15	57962	(000000-	) Hose-Hyd Med04 Jf/J9	1
16	71749	(000000-	) Hose-Hyd Ar 04, Jf Str/E90, 80.0L	1
17	379793	(000000-	) Hose-Hyd Ar 04, Jf Str/E90, 114.0L	1
18	59574	(000000-	) Hose-Hyd Med10 Jf/J4	1
19	59575	(000000-	) Hose-Hyd Med10 Jf/JI9	1
20	59573	(000000-	) Hose-Hyd Low06 Jf/J4	1
21	59572	(000000-	) Hose-Hyd Suc20 Jf/J4	1
22	59576	(000000-	) Hose-Hyd Med08 Jf/JI9	1
23	59579	(000000-	) Hose-Hyd Med04 Jf/J9	1
24	59106	(000000-	) Hose-Hyd Med12 Jf/JI9	1

Fig. 49 - Hydraulic Reservoir Group

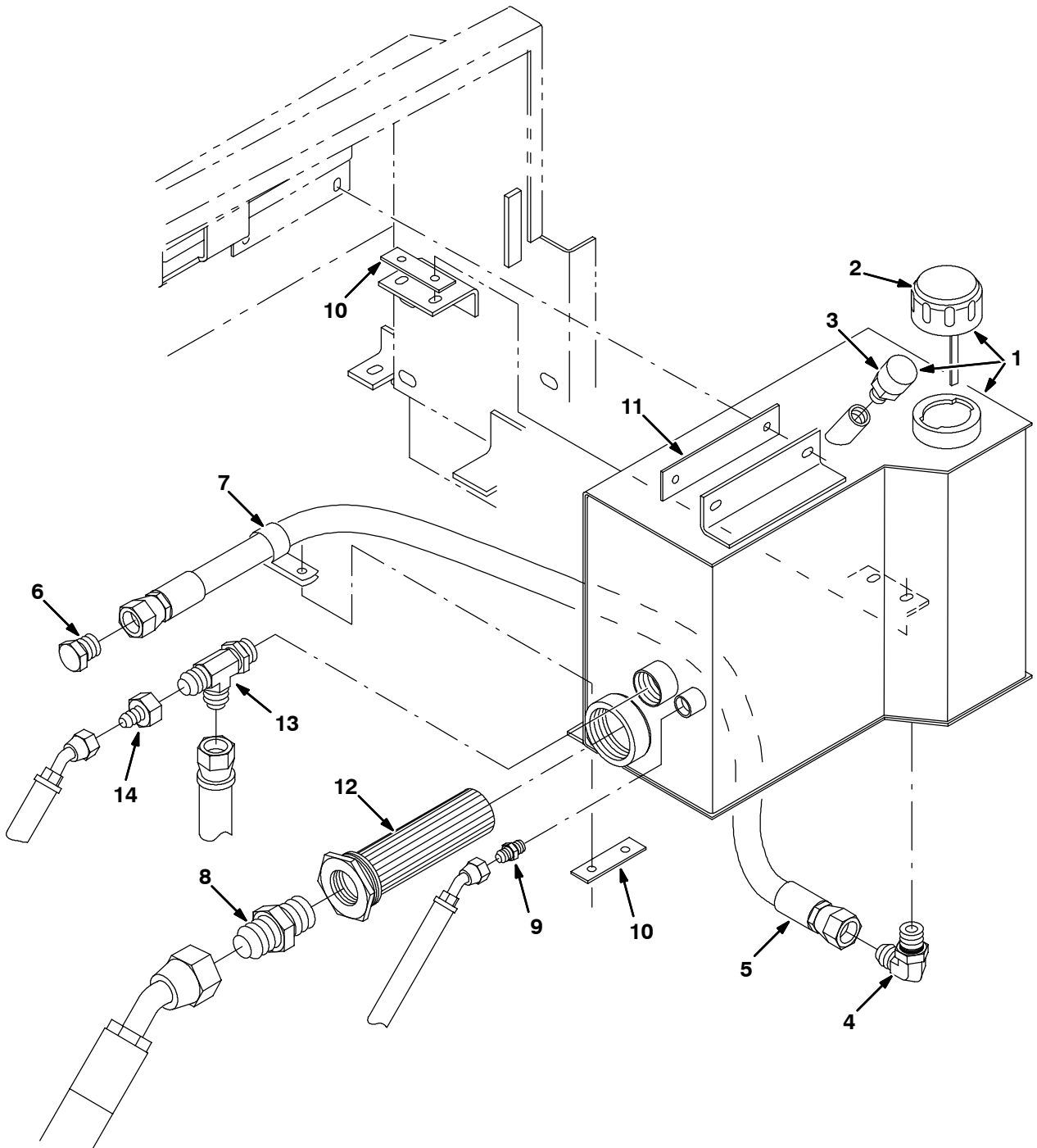


Fig. 49 - Hydraulic Reservoir Group

	Ref.	Tennant Part No.	Machine Serial Number	Description	Qty.
▽	1	72136	(000000-	) Reservoir, 07.0 Gal W/label	1
▲	2	23163	(000000-	) Cap, Hyd Reservoir W/dipstick	1
▲	3	23182	(000000-	) Breather, Hyd, 20 Micron	1
	4	56821	(000000-	) Ftg-Hyd E90 Jm08/Om10	1
	5	13115	(000000-	) Hose-Hyd Low08 Jf/Jf	1
	6	16376	(000000-	) Ftg-Hyd Plg Jm08	1
	7	53466	(000000-	) Clamp-Cable, 1.50d 1.00w Stl	1
	8	58858	(000000-	) Ftg-Hyd Str Jm20/Om20	1
	9	56690	(000000-	) Ftg-Hyd Str Jm06/Om06	1
	10	59789	(000000-	) Pad, Tank, Hyd	4
	11	59790	(000000-	) Pad, Tank, Hyd	1
	12	31613	(000000-	) Strainer-Hyd Suction 25-100-03	1
	13	42216	(000000-	) Ftg-Hyd Tee Jm12Jmom	1
	14	78143	(000000-	) Ftg-Hyd Str Jm08/Jf12	1

Fig. 50 - Hydraulic Valve Group

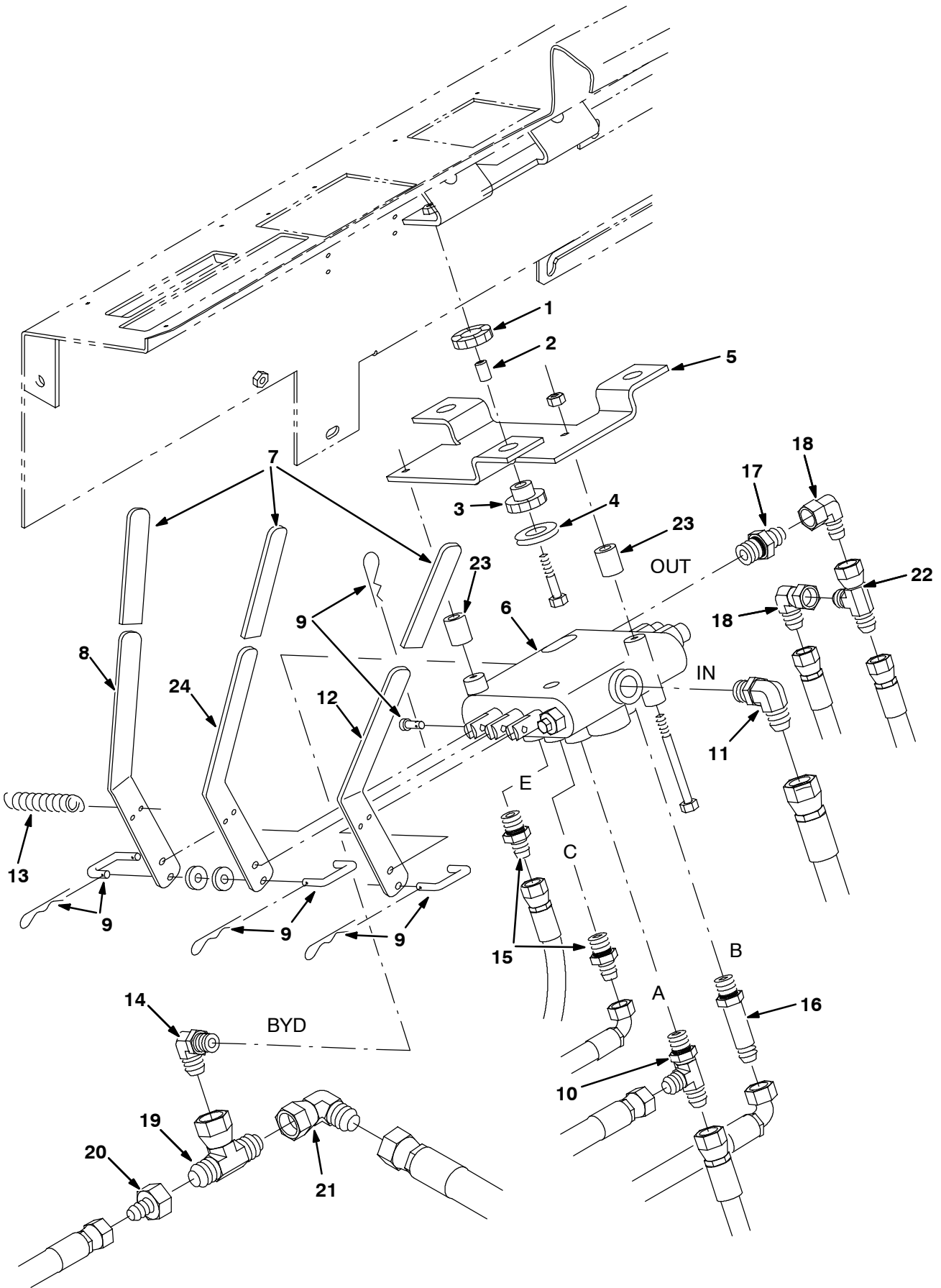


Fig. 50 - Hydraulic Valve Group

Ref.	Tennant Part No.	Machine Serial Number	Description	Qty.
▽	69910	(000000-	) Isolator Assy, Valve	1
▲	1 62172	(000000-	) Ring	3
▲	2 64905	(000000-	) Sleeve, .259B .38D .62 Dom	3
▲	3 62173	(000000-	) Bushing, Isolator-Inner,Rbr.	3
▲	4 30013	(000000-	) Washer-Flt .31 Fender Pltd	3
	5 55446	(000000-	) Bracket, Mtg, Valve	1
	6 374547	(000000-	) Valve-Hyd,Manual (See Breakdowns)	1
	7 360467	(000000-	) Grip, Vinyl	3
	8 383158	(000000-	) Handle, Cntrl	1
	9 48760	(000000-	) Link Assy, Valve Handle	3
	10 76316	(000000-	) Ftg-Hyd Tee Jm06Jmom	1
	11 44868	(000000-	) Ftg-Hyd E90 Jm08/Om08	1
	12 383221	(000000-	) Handle, Cntrl, Lh	1
	13 59870	(000000-	) Spring,Tens, .50Dx.05Wire 2.5L	1
	14 374567	(000000-	) Ftg-Hyd E90 Jm10/Om08	1
	15 55685	(000000-	) Ftg-Hyd Str Jm04/Om06	2
	16 59577	(000000-	) Ftg-Hyd Str Jm06Om06L	1
	17 55686	(000000-	) Ftg-Hyd Str Jm04/Om08	1
	18 39210	(000000-	) Ftg-Hyd E90 Jm04/Jf04	2
	19 50421	(000000-	) Ftg-Hyd Tee Jm10/JfJm	1
	20 47754	(000000-	) Ftg-Hyd Str Jm06/Jf10	1
	21 54194	(000000-	) Ftg-Hyd E90 Jm10/Jf10	1
	22 57988	(000000-	) Ftg-Hyd Tee Jm04Jmjf	1
	23 09900-1	(000000-	) Sleeve, .260B .50D .75	2
	24 383157	(000000-	) Handle, Cntrl, Str	1

Fig. 51 - Hydraulic Pumps Group

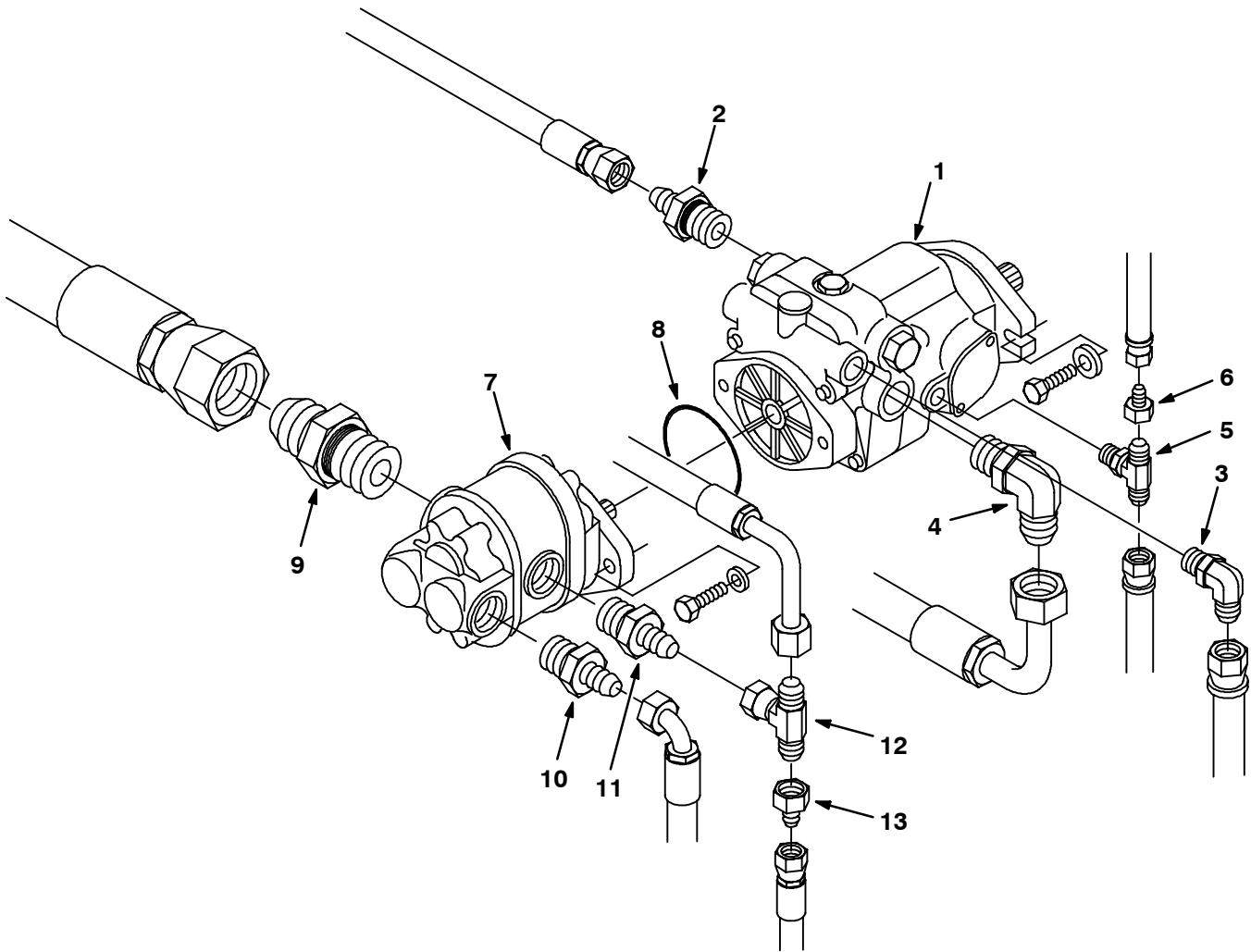
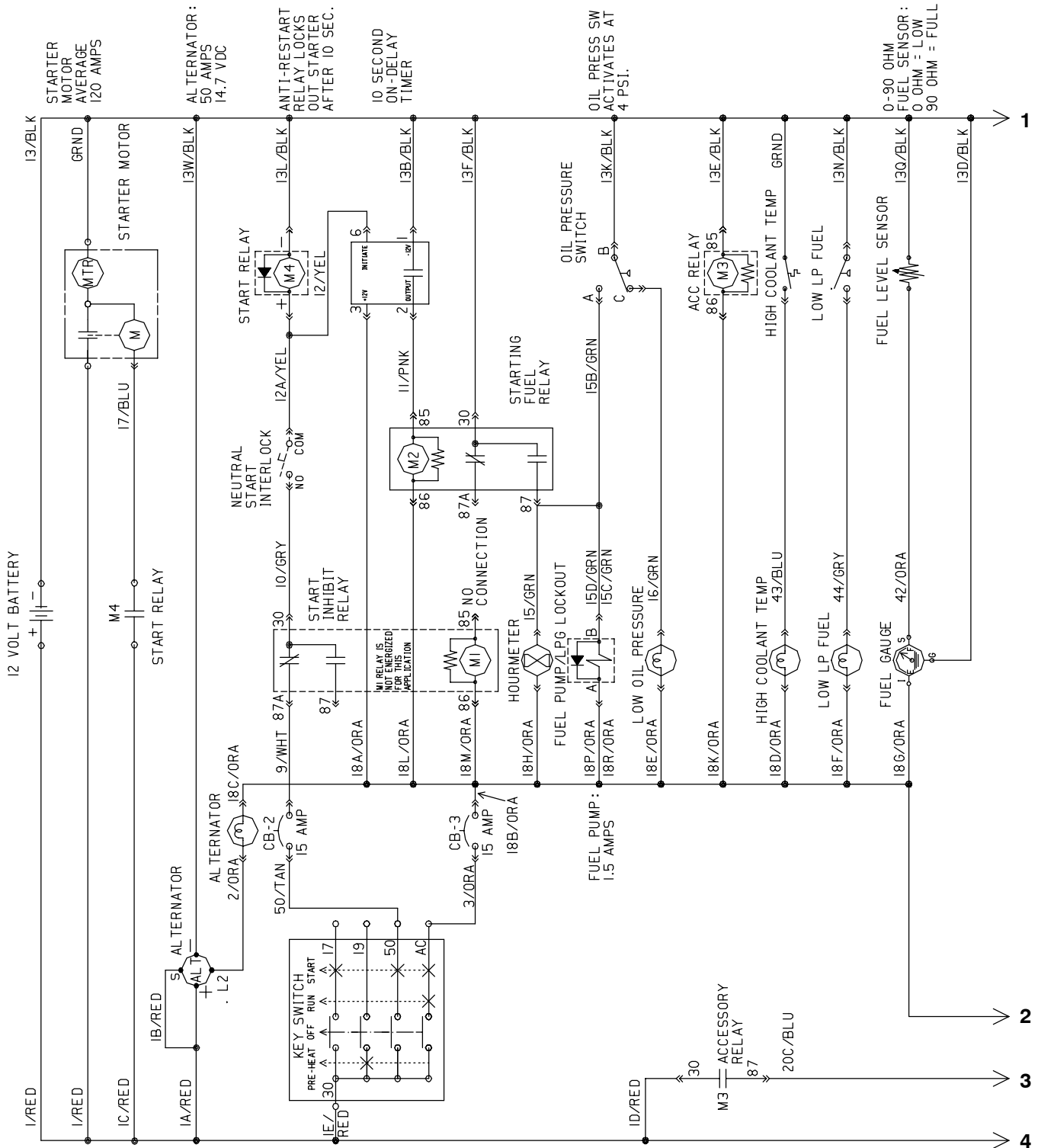


Fig. 51 - Hydraulic Pumps Group

Ref.	Tennant Part No.	Machine Serial Number	Description	Qty.
1	79768	(000000-	) Pump-Hyd Piston (See Breakdowns)	1
2	42223	(000000-	) Ftg-Hyd Str Jm10/Om12	1
3	44868	(000000-	) Ftg-Hyd E90 Jm08/Om08	1
4	53076	(000000-	) Ftg-Hyd E90 Jm10/Om12	1
5	67683	(000000-	) Ftg-Hyd Tee Jm06Omjm	1
6	47752	(000000-	) Ftg-Hyd Str Jm04/Jf06	1
7	379605	(000000-	) Pump-Hyd Gear (See Breakdowns)	1
8	65145-1	(000000-	) O-Ring Gland	1
9	58858	(000000-	) Ftg-Hyd Str Jm20/Om20	1
10	47508	(000000-	) Ftg-Hyd Str Jm06/Om10	1
11	56692	(000000-	) Ftg-Hyd Str Jm08/Om10	1
12	76315	(000000-	) Ftg-Hyd Tee Jm08Jfjm	1
13	57979	(000000-	) Ftg-Hyd Str Jm04/Jf08	1

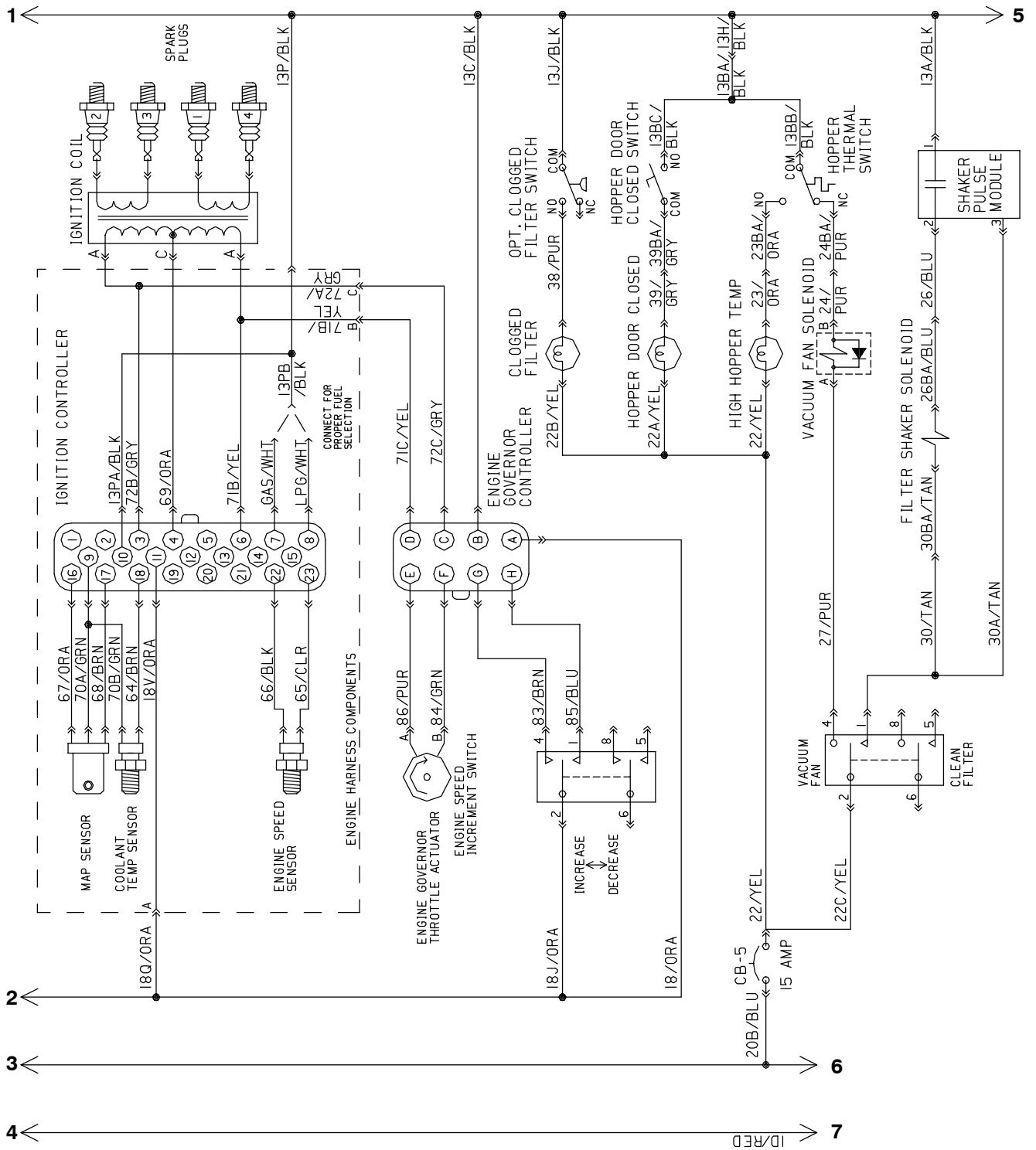
Fig. 52 - Electrical Schematic



353657 - 6500, G, LP

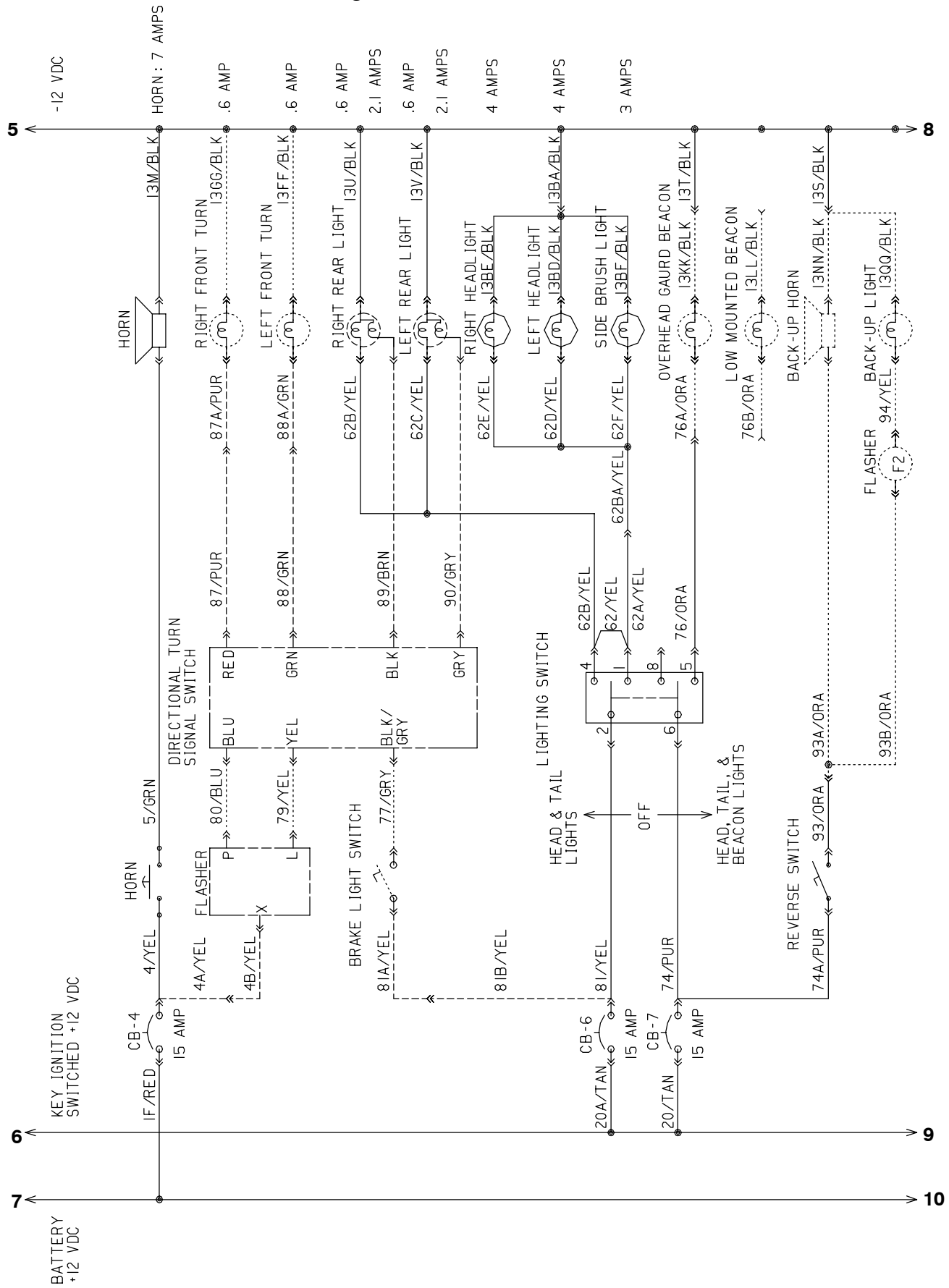


Fig. 52 - Electrical Schematic



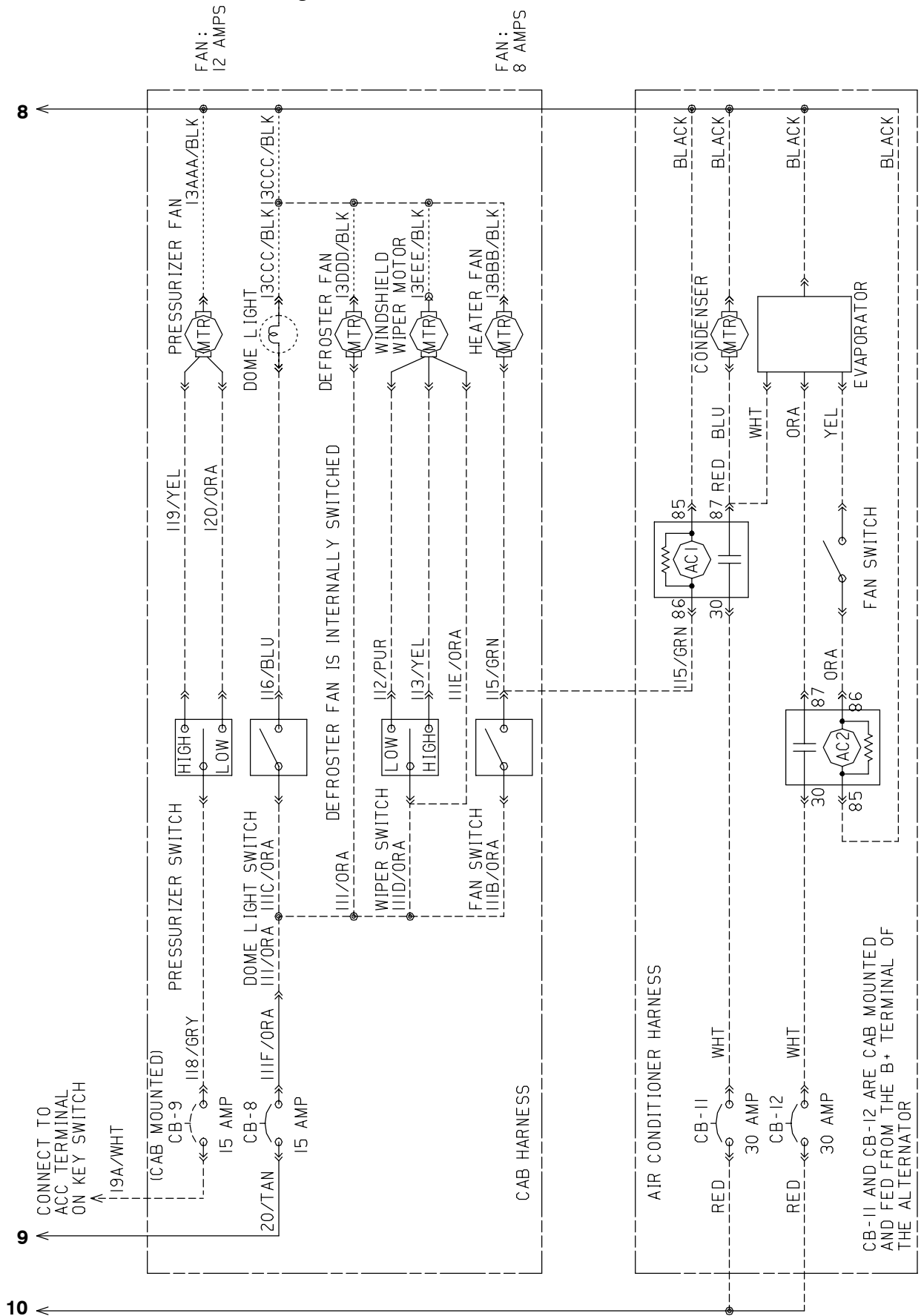
353657 - 6500, G, LP

Fig. 52 - Electrical Schematic



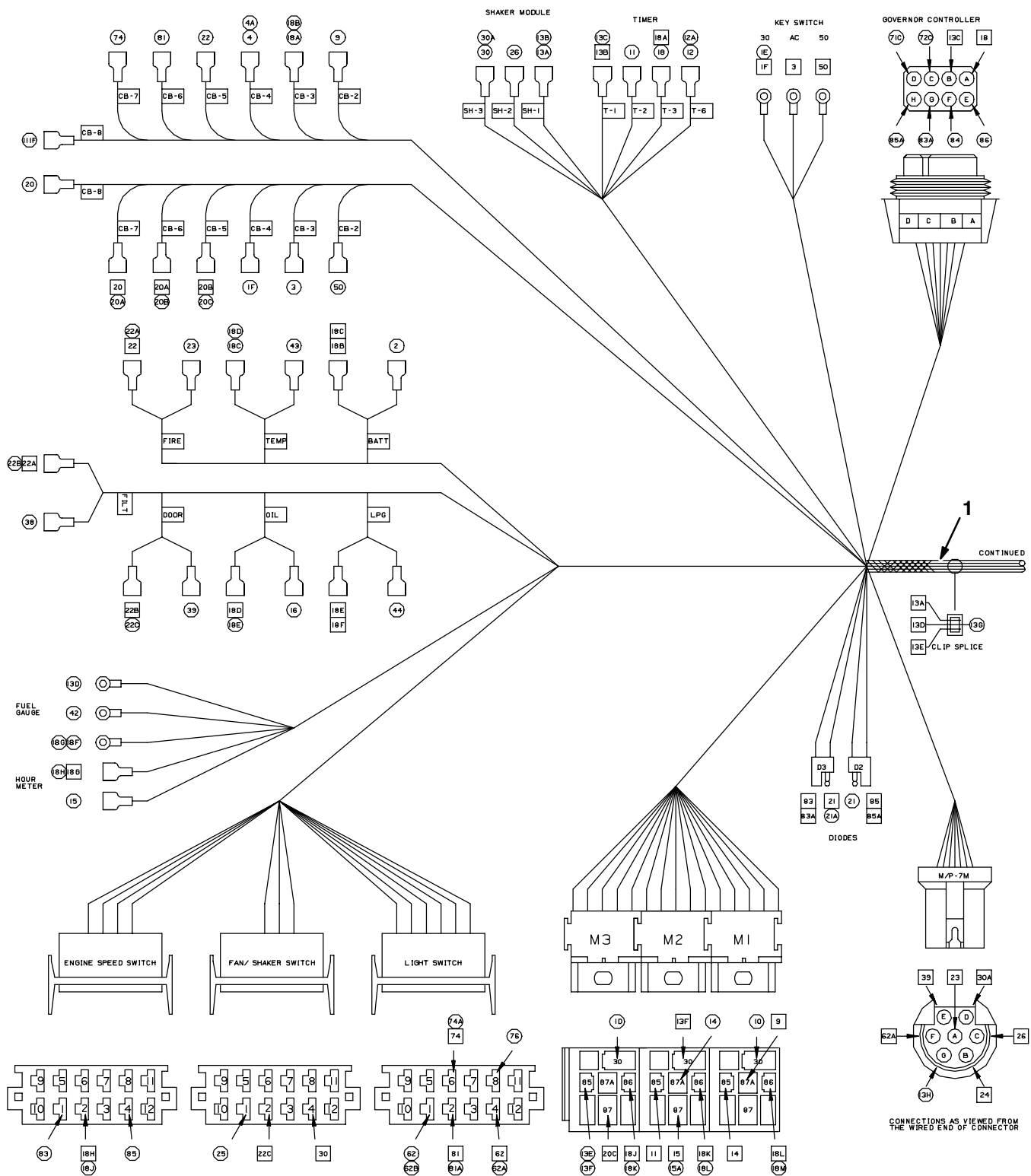
353657 - 6500, G, LP

Fig. 52 - Electrical Schematic



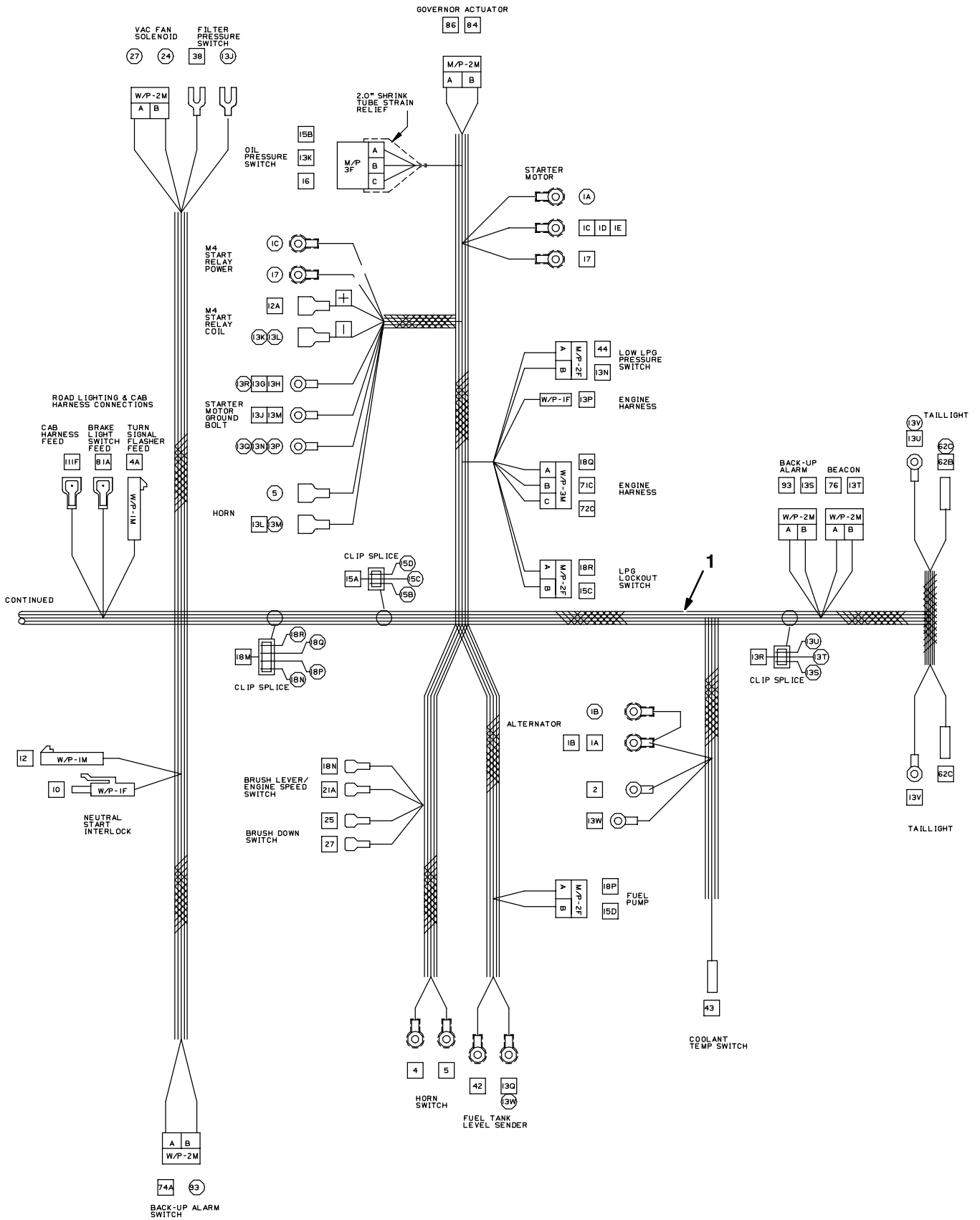
353657 - 6500, G, LP

Fig. 53 - Wire Harness Group



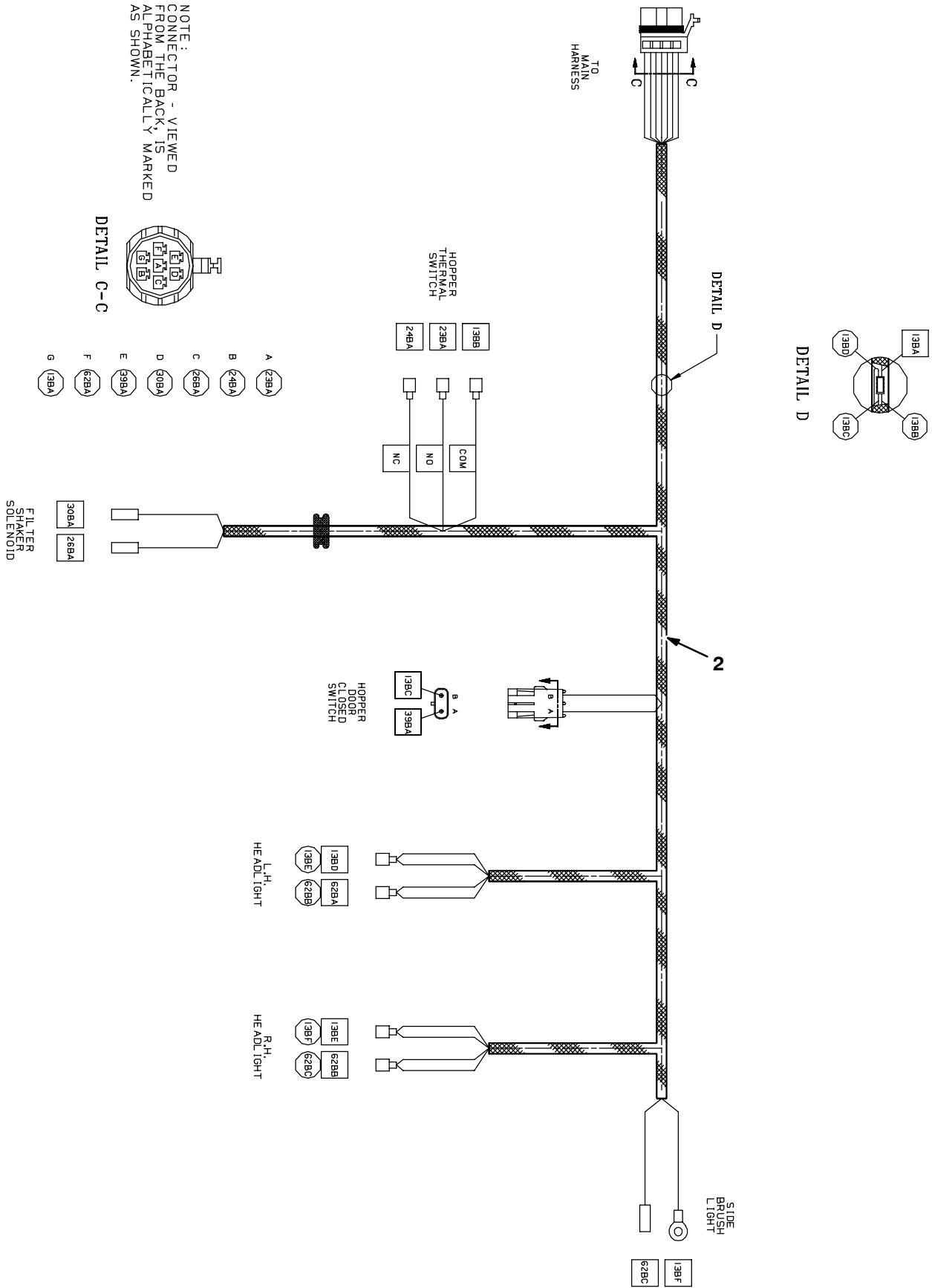
353645 - 6500, G, LP

Fig. 53 - Wire Harness Group



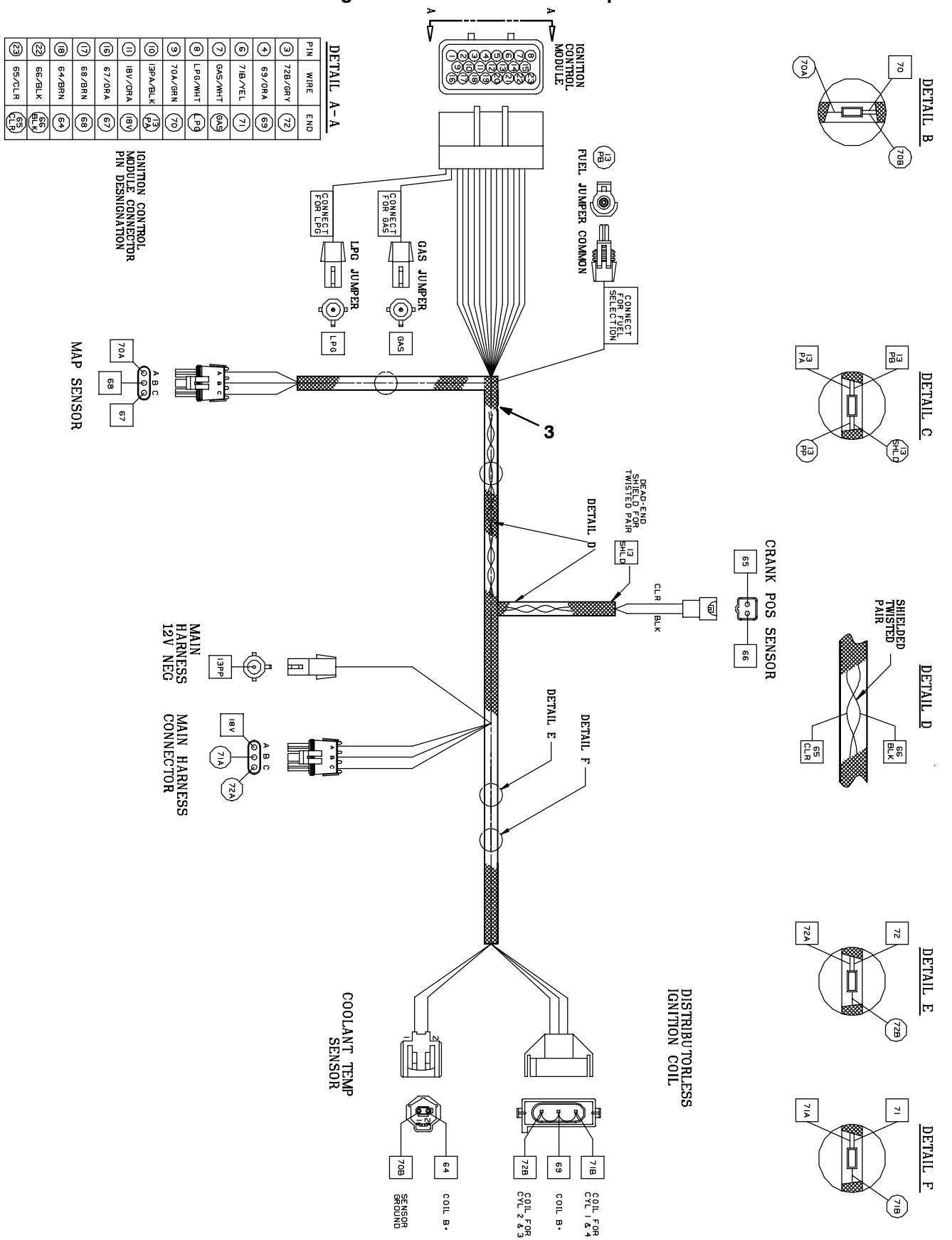
353645 - 6500, G, LP

Fig. 53 - Wire Harness Group



353646 - 6500, G, LP

Fig. 53 - Wire Harness Group



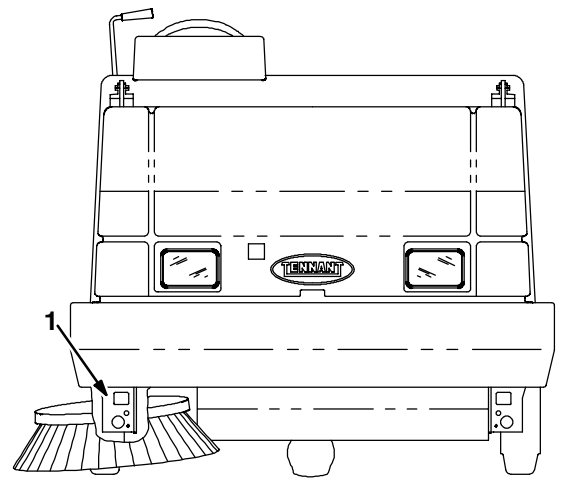
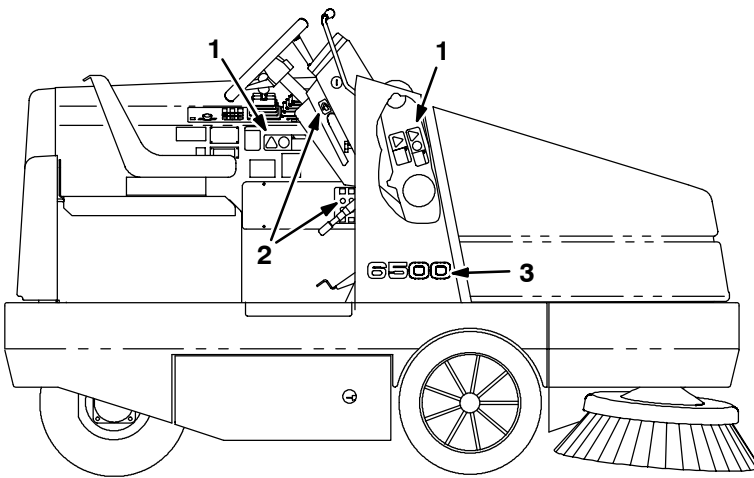
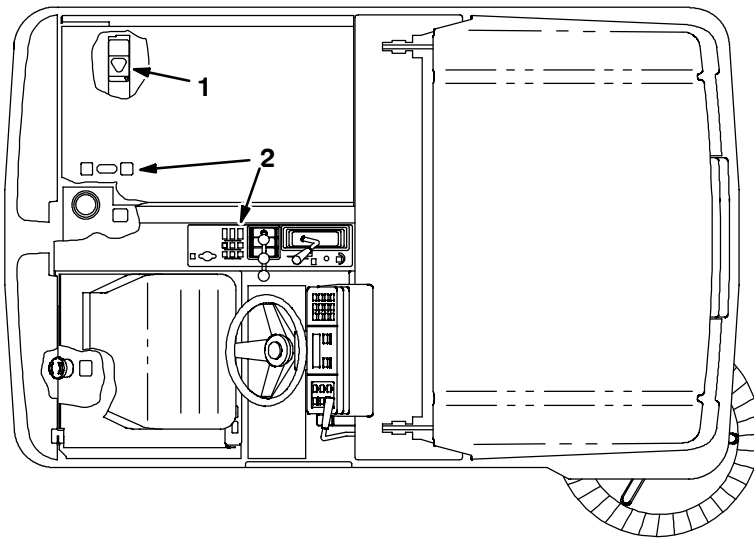
353647 - 6500, G, LP

**Fig. 53 - Wire Harnesses Group**

<b>Ref.</b>	<b>Tenant Part No.</b>	<b>Machine Serial Number</b>	<b>Description</b>	<b>Qty.</b>
1	383166	(000000-	) Harness, Main, Gas/Lpg, [6500]	
2	383168	(000000-	) Harness, Hppr, [6500]	
3	398509	(000000-	) Harness, Engine, Gas/Lpg	



Fig. 54 - Label Group



351767 - 6500, JP

Ref.	Tennant Part No.	Machine Serial Number	Description	Qty.
1	72381	(000000- )	Label Set, Info & Hazard 6500, JP	1
2	72382	(000000- )	Label Set, Operational 6500, JP	1
2	383234	(000000- )	Label Set, Opertnl, [6500], CE	1
3	379596	(000000- )	Label, Numerals 6500	2

**Fig. 55 - Tail Light Kit**

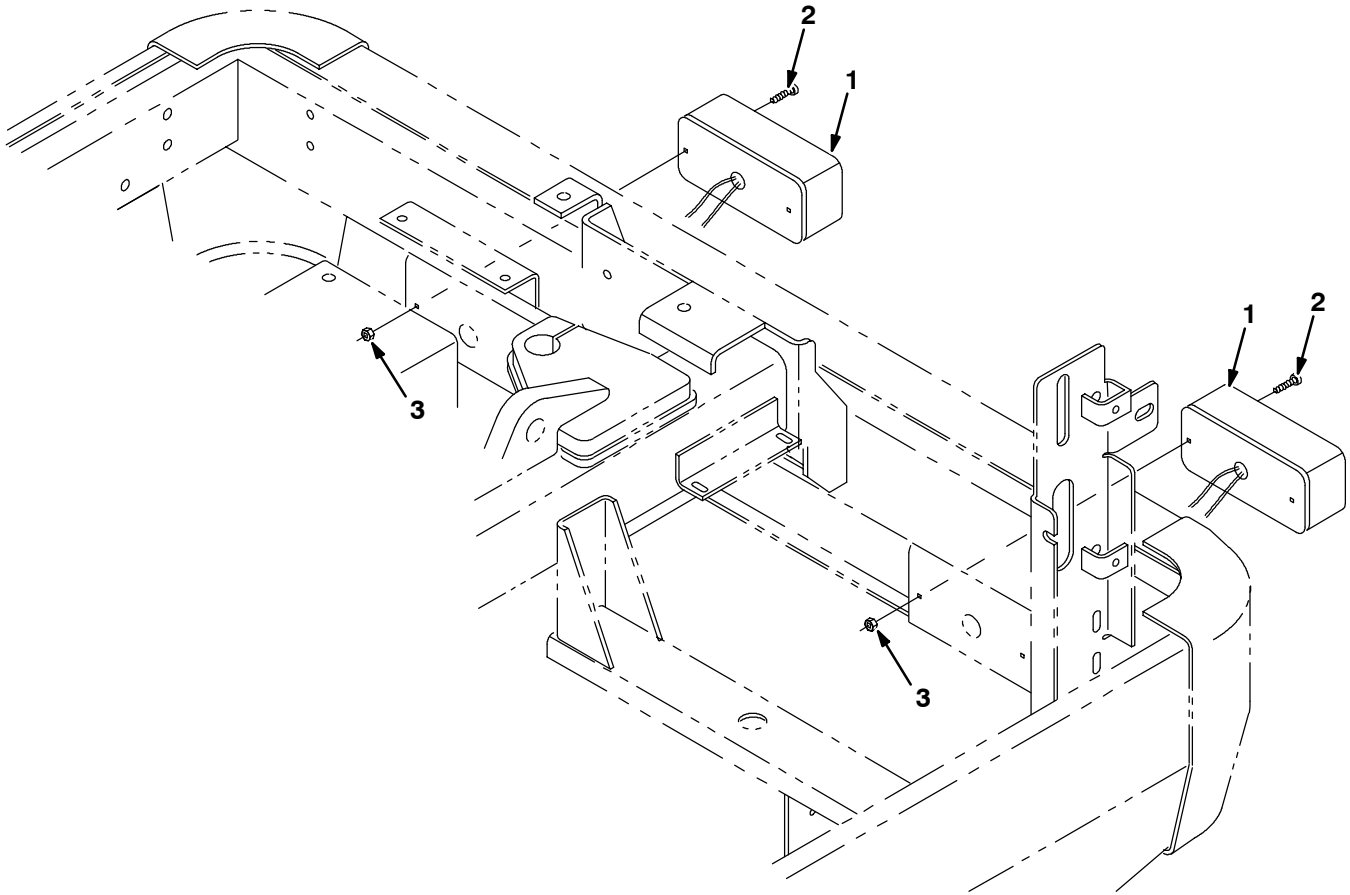


Fig. 55 - Tail Light Kit

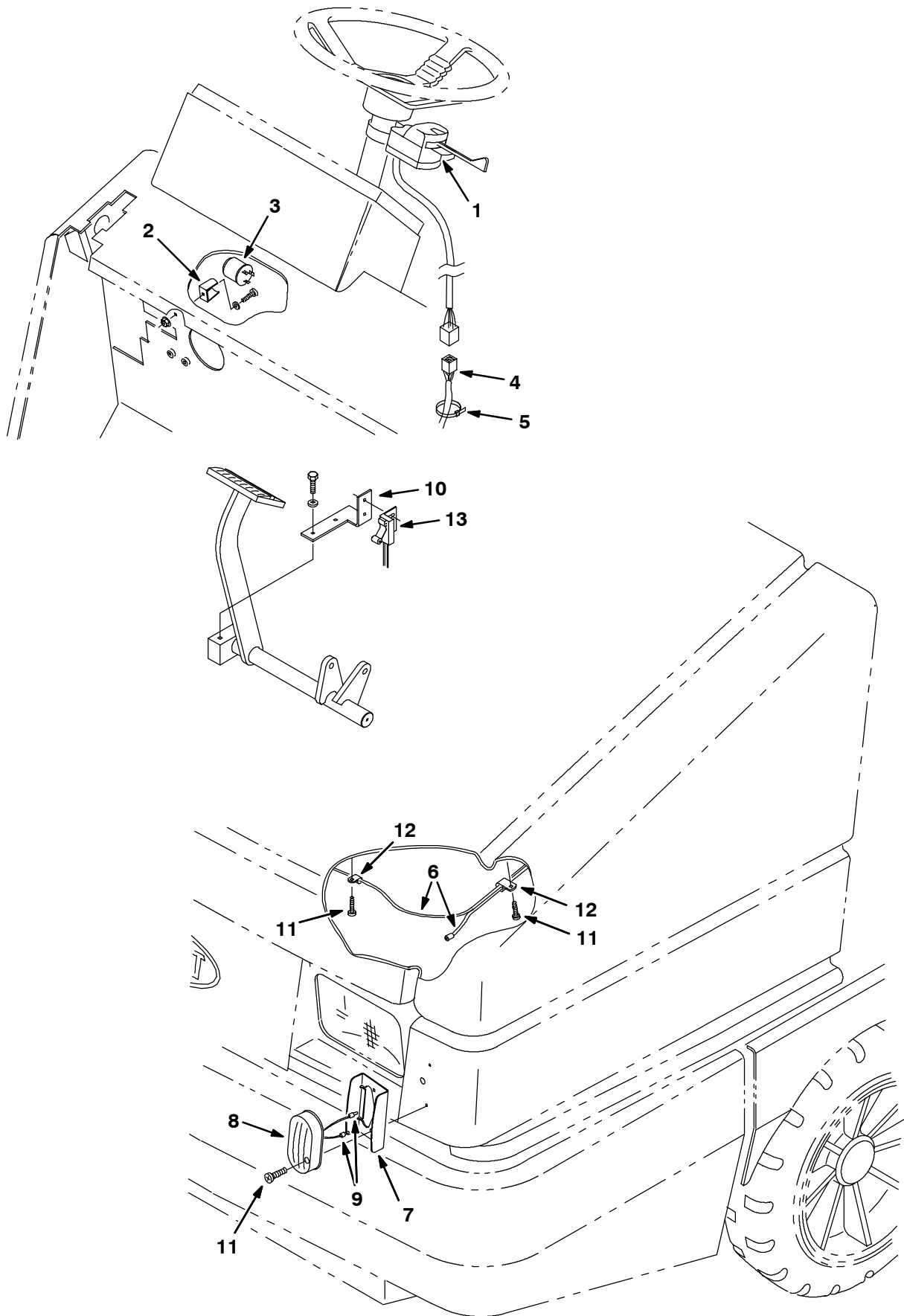
	Ref.	Tennant Part No.	Machine Serial Number	Description	Qty.
▽		383224	(000000-	) Kit, Cl, Tail Light, [6500]	1
▲▽	1	59949	(000000-	) Tail Light, 12Vdc, 6.6x3.1	2
▲▲		45780	(000000-	) lamp, 12Vdc, 0.5A Watt 04Cp	1
▲	2	54093	(000000-	) Screw, Chz, M05x0.8x60, 4.8	4
▲	3	06549	(000000-	) Nut, Hex, Lock, M05x0.8, NI	4



# SECTION 3

<b>Contents</b>	<b>Page</b>
Fig. 1 - Signal Light Kit . . . . .	3-2
Fig. 2 - Tilt Steering Group . . . . .	3-4
Fig. 3 - Flashing Light Kit, Overhead Guard . . . . .	3-6
Fig. 4 - Revolving Light Kit, Overhead Guard . . . . .	3-7
Fig. 5 - Flashing Light Kit, LRC . . . . .	3-8
Fig. 6 - Revolving Light Kit, LRC . . . . .	3-9
Fig. 7 - Flashing Light Kit, Cab . . . . .	3-10
Fig. 8 - Revolving Light Kit, Cab . . . . .	3-11
Fig. 9 - Back-Up Alarm Kit, LRC . . . . .	3-12
Fig. 10 - Back-Up Alarm Kit, Cab . . . . .	3-14
Fig. 11 - Back-Up Alarm Kit, Cab with Pressurizer . . . . .	3-16
Fig. 12 - Side Brush Light Kit . . . . .	3-18
Fig. 13 - Overhead Guard Kit . . . . .	3-19
Fig. 14 - Cab Insulation Group . . . . .	3-20
Fig. 15 - Cab Frame and Windows Group . . . . .	3-22
Fig. 16 - Cab Door Group . . . . .	3-24
Fig. 17 - Cab Electrical and Wiper Group . . . . .	3-26
Fig. 18 - Cab Dust Kit . . . . .	3-28
Fig. 19 - Cab Vent and Duct Group . . . . .	3-30
Fig. 20 - Cab Pressurizer Group . . . . .	3-31
Fig. 21 - Heater and Pressurizer Group . . . . .	3-32
Fig. 22 - Air Conditioning and Heater Group . . . . .	3-34
Fig. 23 - Air Conditioning Compressor Group . . . . .	3-36
Fig. 24 - Air Conditioning and Heater Electrical Group . . . . .	3-37
Fig. 25 - Air Conditioning Wire Harness Group . . . . .	3-38
Fig. 26 - Air Conditioning Electrical Schematic . . . . .	3-39
Fig. 27 - Vacuum Wand Kit . . . . .	3-40
Fig. 28 - Seat Belt Kit . . . . .	3-42
Fig. 29 - Side Brush Dust Control Kit . . . . .	3-44
Fig. 30 - Documentation Group . . . . .	3-46

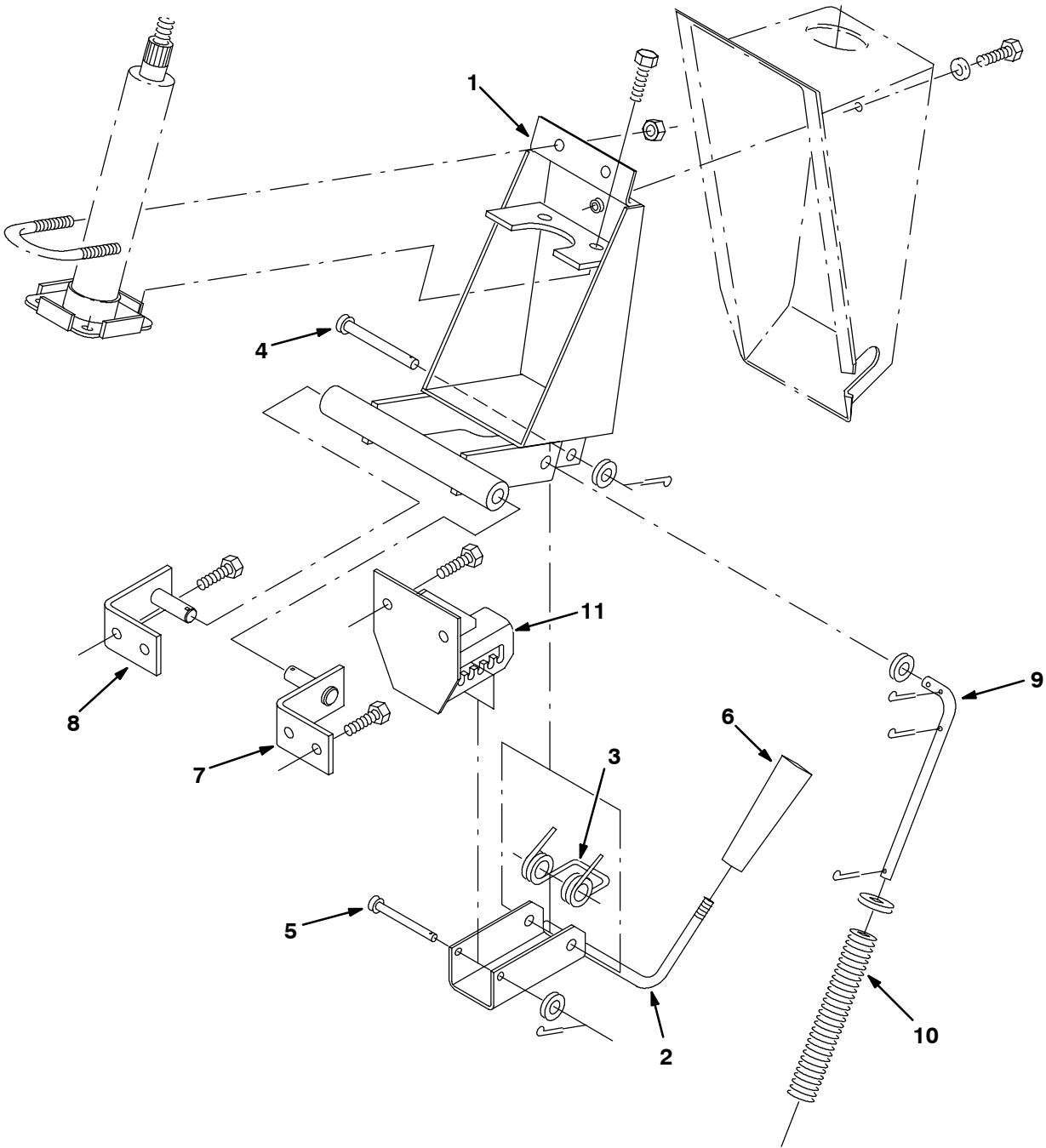
Fig. 1 - Signal Light Kit



**Fig. 1 - Signal Light Kit**

	<b>Ref.</b>	<b>Tennant Part No.</b>	<b>Machine Serial Number</b>	<b>Description</b>	<b>Qty.</b>
▽		379853	(000000-	) Light Kit Sgnl 6500	1
▲▽	1	60751	(000000-	) Signal Assy Turn	1
▲▲		48570	(000000-	) Bulb #53 12V	1
▲	2	24576-1	(000000-	) Bracket, Flasher	1
▲	3	31922	(000000-	) Flasher, Heavy Duty	1
▲	4	60283	(000000-	) Harness, Turn Signal	1
▲	5	49266	(000000-	) Tie, Cable 1.75D Max 7.50Lg	12
▲	6	379851	(000000-	) Harness, Turn Signal	1
▲	7	72178	(000000-	) Bracket, Light, SBDC	2
▲▽	8	379855	(000000-	) Light Assy Mark/Yel 12V	2
▲▲		87948	(000000-	) Bulb, #194	1
▲	9	55272	(000000-	) Terminal	4
▲	10	59920	(000000-	) Bracket, Switch	1
▲	11	360943	(000000-	) Screw, Pan, F/Plst	10
▲	12	26395-2	(000000-	) Clamp, Cable .38D	6
▲	13	59962	(000000-	) Switch Assy, Roller	1

Fig. 2 - Tilt Steering Group

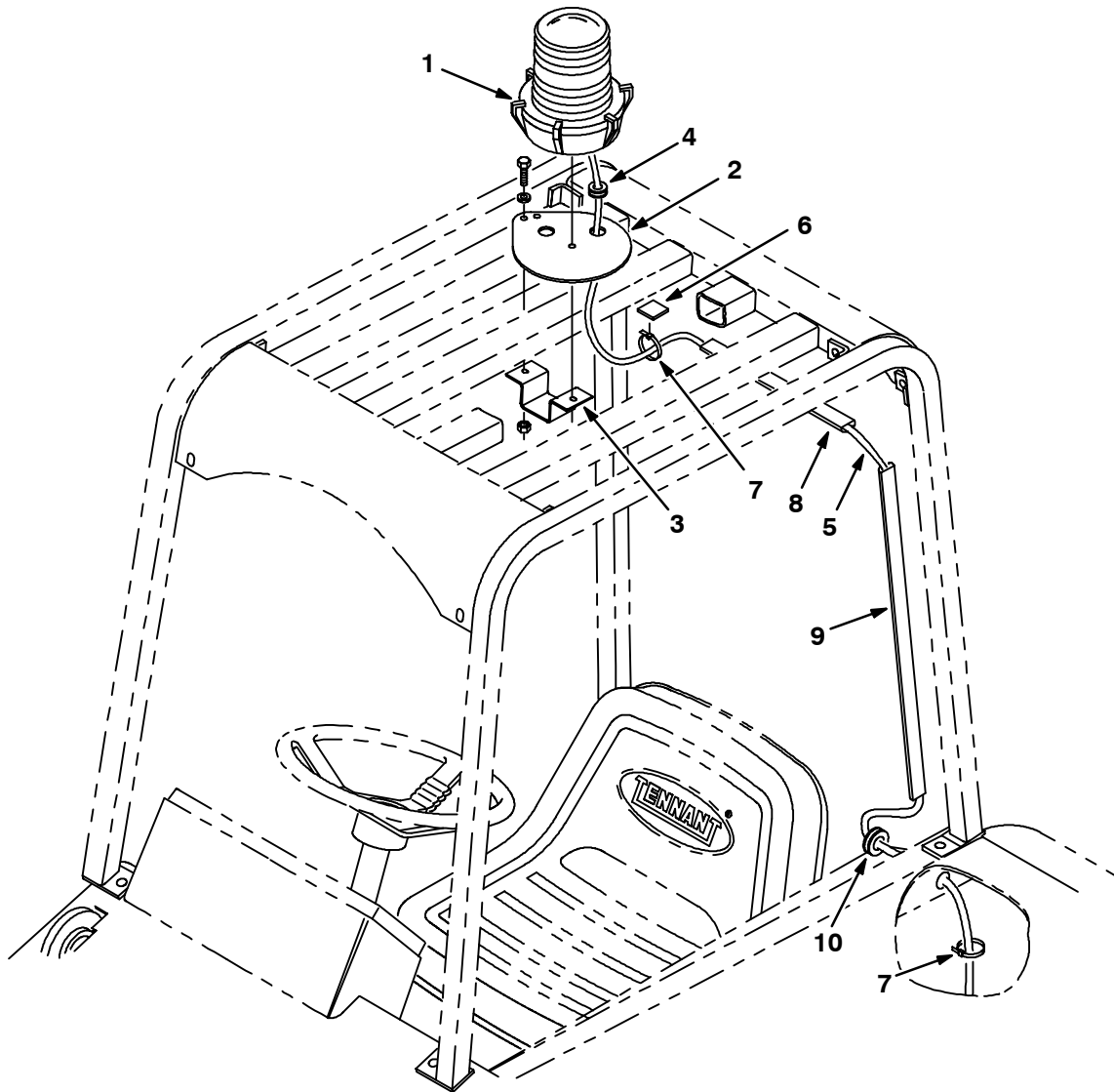




**Fig. 2 - Steering and Firewall Group**

<b>Ref.</b>	<b>Tennant Part No.</b>	<b>Machine Serial Number</b>	<b>Description</b>	<b>Qty.</b>
1	56373	(000000-	) Bracket Wldt, Valve	1
2	56379	(000000-	) Lever Wldt, Tilt	1
3	56198	(000000-	) Spring, Torsion	1
4	23191	(000000-	) Pin,Clevis,0.37 Dia.X 3.00 Lg	1
5	04733-10	(000000-	) Pin,Clevis,0.25 Dia.X 2.44 Lg	1
6	59940	(000000-	) Knob, Tapered M8	1
7	58665	(000000-	) Bracket Wldt, Mtg, Steering,Lh	1
8	58667	(000000-	) Bracket Wldt, Mtg, Steering,Rh	1
9	56392	(000000-	) Rod, Spring	1
10	63852	(000000-	) Sprng,Comp,0.74Idx.11Wire 5.5L	1
11	56385	(000000-	) Bracket Wldt, Notched	1

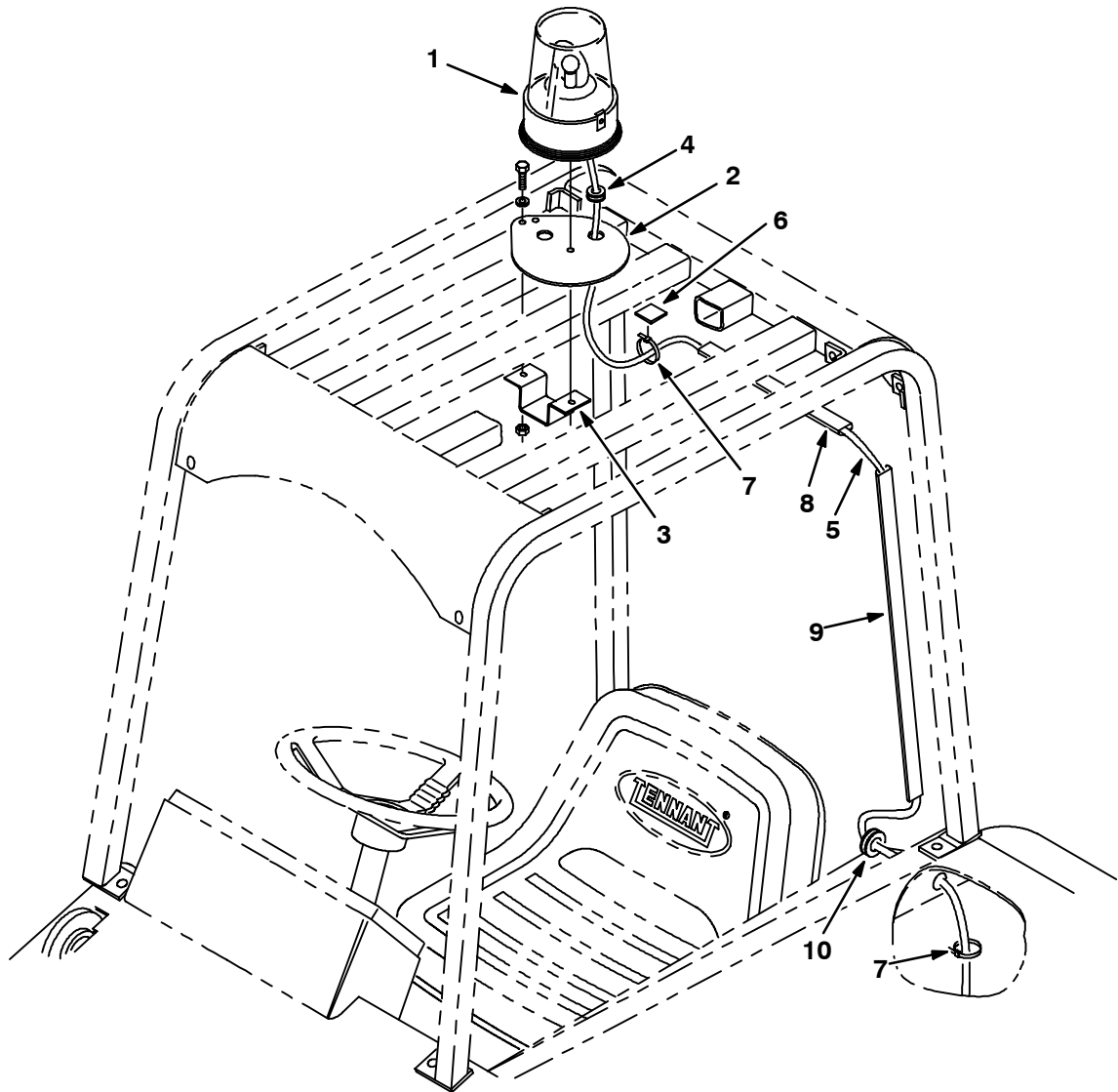
**Fig. 3 - Flashing Light Kit, Overhead Guard**



07474 - IC, NA, JP

Ref.	Tennant Part No.	Machine Serial Number	Description	Qty.
▽	60307	(000000- )	Light Kit Flsh 355L Ohg	1
▲▽	1 82063	(000000- )	Light, Flashing, Amber, 12V-Re	1
▲▲	58520	(000000- )	Lens,Flashing Lite Fr207 Amber	1
▲▲	45779	(000000- )	Bulb, General Electric	1
▲	2 57220	(000000- )	Plate, Light Mtg.	1
▲	3 59447	(000000- )	Bracket, Mtg, Light, Ohg	1
▲	4 10632-9	(000000- )	Grommet,Rbr,0.63Id,For .13Matl	1
▲	5 60288	(000000- )	Harness, Revolv Light, Cab,Ohg	1
▲	6 55248	(000000- )	Cabletie Mount, Adhesive	5
▲	7 49266	(000000- )	Tie, Cable 1.75D Max 7.50Lg	8
▲	8 86330	(000000- )	Duct, Vinyl 10.0 In	2
▲	9 86332	(000000- )	Duct, Vinyl 26.0 In.	1
▲	72114	(000000- )	Duct, Vinyl 6.0 In.	1
▲	10 10632-18	(000000- )	Grommet, Rbr, 0.69 ID	1
	58518	(000000- )	Lens,Flashing Lite Fr207 Red	1
	58519	(000000- )	Lens,Flashing Lite Fr207 Blue	1

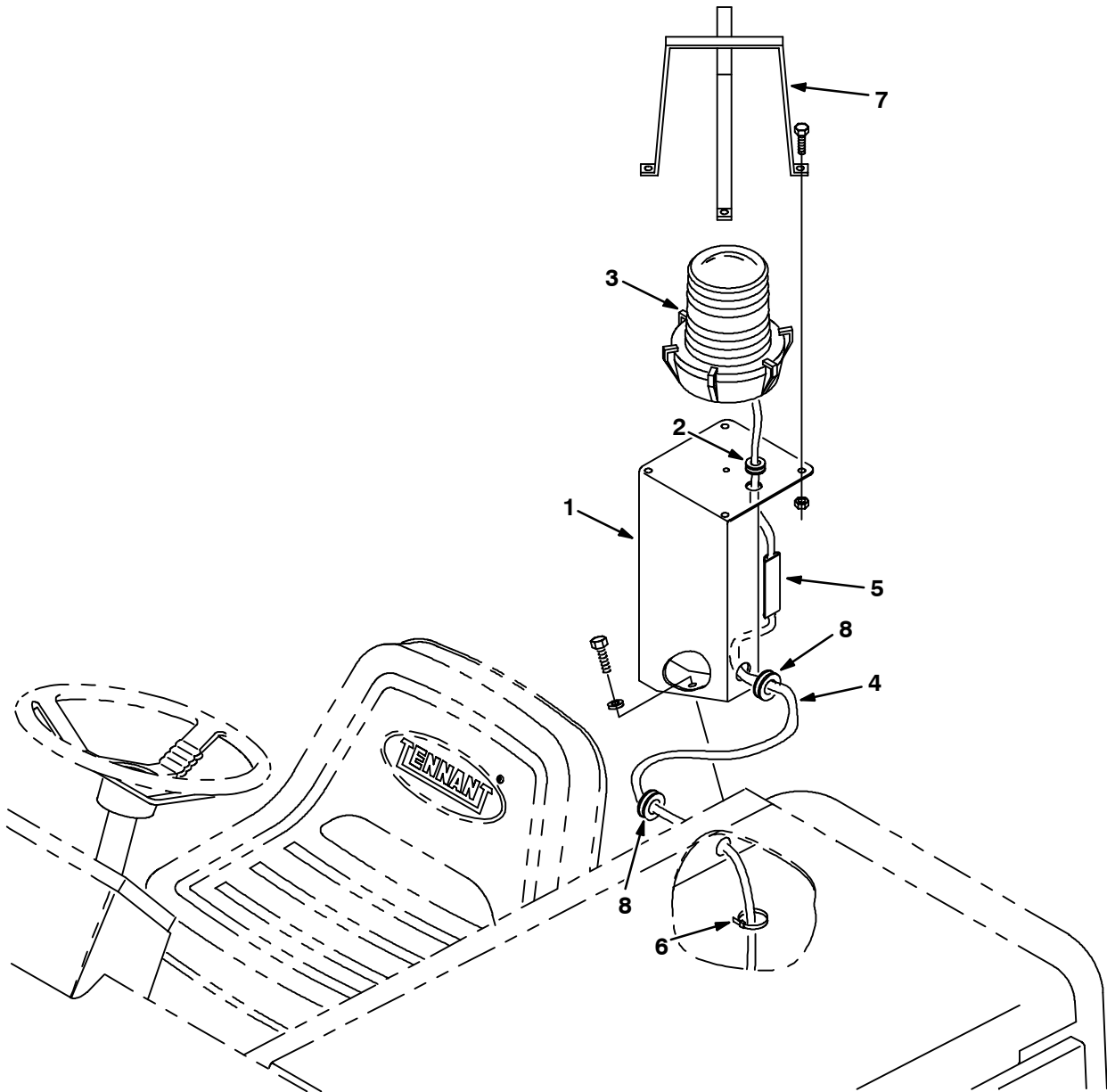
Fig. 4 - Revolving Light Kit, Overhead Guard



07470 - IC, NA, JP

Ref.	Tennant Part No.	Machine Serial Number	Description	Qty.
▽	60309	(000000- )	Light Kit Revl 355L Ohg	1
▲▽	1 82200	(000000- )	Light,Rev.Amber 12V-Reworked	1
▲▲	44681-1	(000000- )	Lens,Rev.Light,Amber	1
▲▲	45779	(000000- )	Bulb, General Electric	1
▲	2 57220	(000000- )	Plate, Light Mtg.	1
▲	3 59447	(000000- )	Bracket, Mtg, Light, Ohg	1
▲	4 10632-9	(000000- )	Grommet,Rbr,0.63Id,For .13Matl	1
▲	5 60288	(000000- )	Harness, Revolv Light, Cab,Ohg	1
▲	6 55248	(000000- )	Cabletie Mount, Adhesive	5
▲	7 49266	(000000- )	Tie, Cable 1.75D Max 7.50Lg	8
▲	8 86330	(000000- )	Duct, Vinyl 10.0 In.	2
▲	9 86332	(000000- )	Duct, Vinyl 26.0 In.	1
▲	72114	(000000- )	Duct, Vinyl 6.0 In.	1
▲	10 10632-18	(000000- )	Grommet, Rbr, 0.69 ID	1
	44681	(000000- )	Lens,Rev.Light,Red	1
	44681-2	(000000- )	Lens,Rev.Light,Blue	1

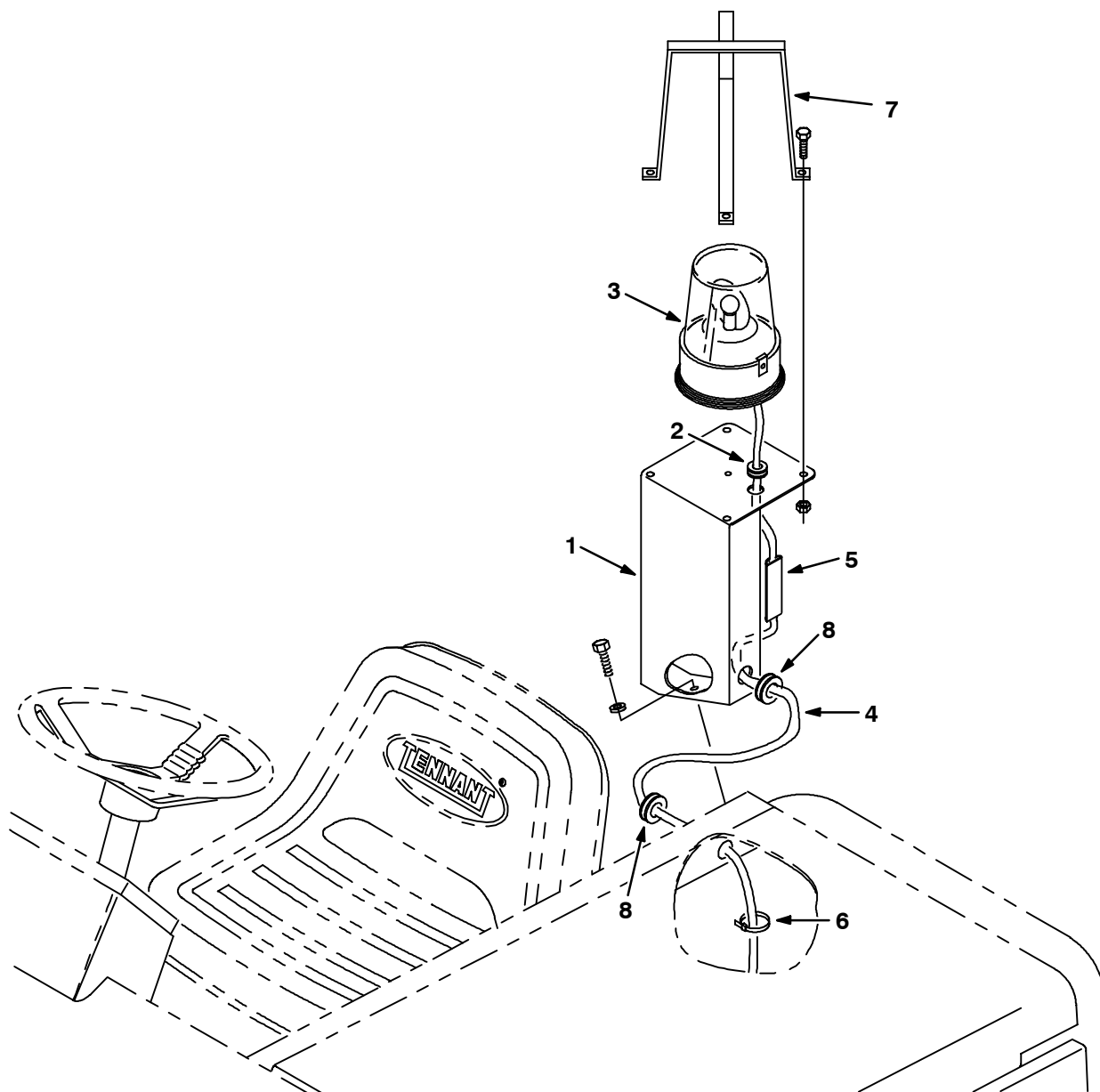
**Fig. 5 - Flashing Light Kit, LRC**



07477 - IC, NA, JP

Ref.	Tennant Part No.	Machine Serial Number	Description	Qty.
▽	60312	(000000-	) Light Kit Flsh 355L Lrc	1
▲	1 72100	(000000-	) Bracket Wldt, Light, Rotating	1
▲	2 10632-9	(000000-	) Grommet,Rbr,0.56ld,For .13Matl	1
▲▽	3 82063	(000000-	) Light, Flashing, Amber, 12V-Re	1
▲▲	58520	(000000-	) Lens,Flashing Lite Fr207 Amber	1
▲▲	45779	(000000-	) Bulb, General Electric	1
▲	4 71543	(000000-	) Harness, Wire, Hazard	1
▲	5 86333	(000000-	) Duct, Vinyl 3.5 In.	1
▲	6 49266	(000000-	) Tie, Cable 1.75D Max 7.50Lg	6
▲	7 45272	(000000-	) Guard Wldt, Lights, Revl&Flsh	1
▲	8 10632-18	(000000-	) Grommet, Rbr, 0.69 ID	2
	58518	(000000-	) Lens,Flashing Lite Fr207 Red	1
	58519	(000000-	) Lens,Flashing Lite Fr207 Blue	1

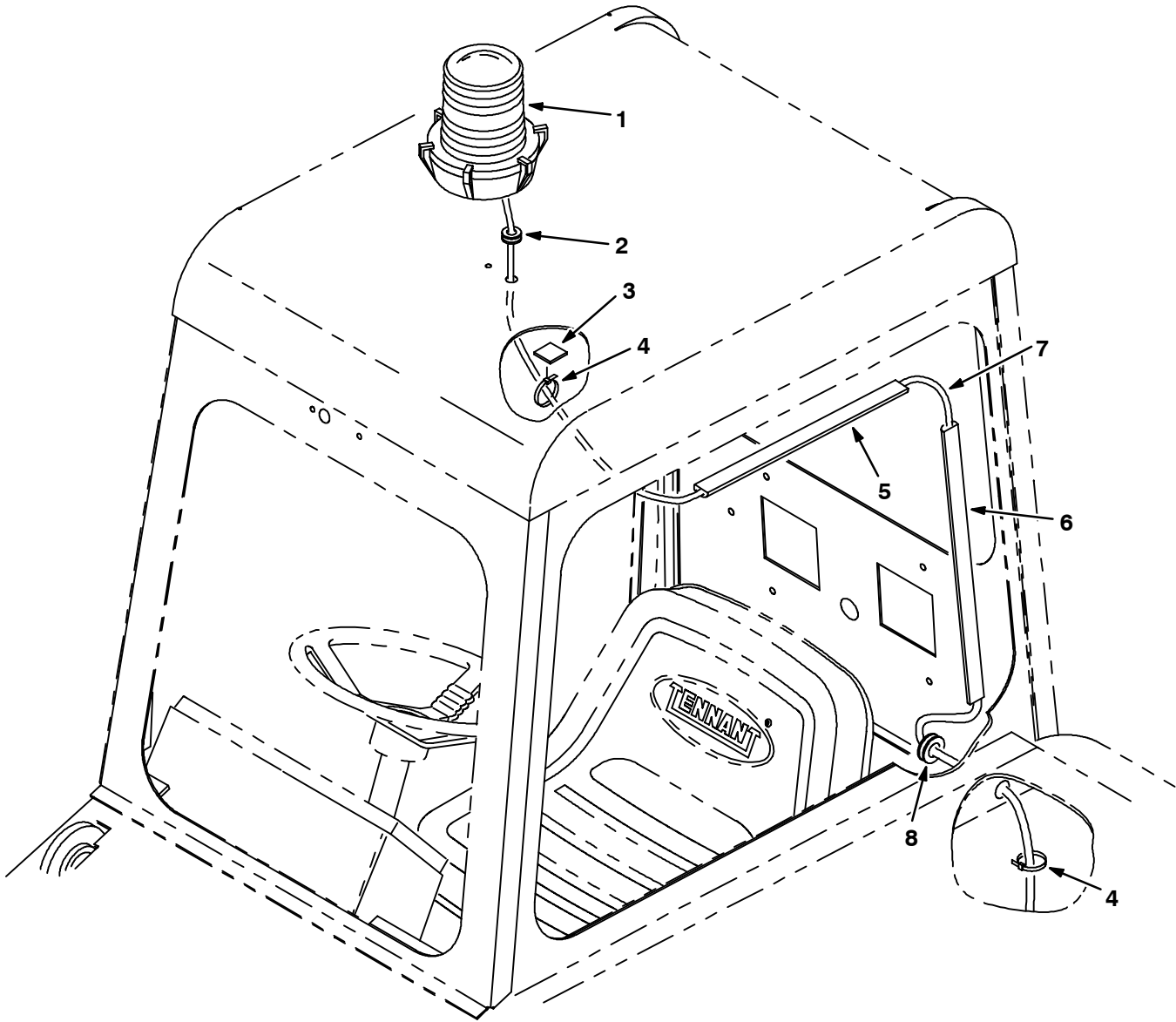
Fig. 6 - Revolving Light Kit, LRC



07473 - IC, NA, JP

Ref.	Tennant Part No.	Machine Serial Number	Description	Qty.
▽	60314	(000000-	) Light Kit Revl 355L Lrc	1
▲	1 72100	(000000-	) Bracket Wldt, Light, Rotating	1
▲	2 10632-9	(000000-	) Grommet,Rbr,0.56Id,For .13Matl	1
▲▽	3 82200	(000000-	) Light,Rev.Amber 12V-Reworked	1
▲▲	44681-1	(000000-	) Lens,Rev.Light,Amber	1
▲▲	45779	(000000-	) Bulb, General Electric	1
▲	4 71543	(000000-	) Harness, Wire, Hazard	1
▲	5 86333	(000000-	) Duct, Vinyl 3.5 In.	1
▲	6 49266	(000000-	) Tie, Cable 1.75D Max 7.50Lg	6
▲	7 45272	(000000-	) Guard Wldt, Lights, Revl&Flsh	1
▲	8 10632-18	(000000-	) Grommet, Rbr, 0.69 ID	2
	44681	(000000-	) Lens,Rev.Light,Red	1
	44681-2	(000000-	) Lens,Rev.Light,Blue	1

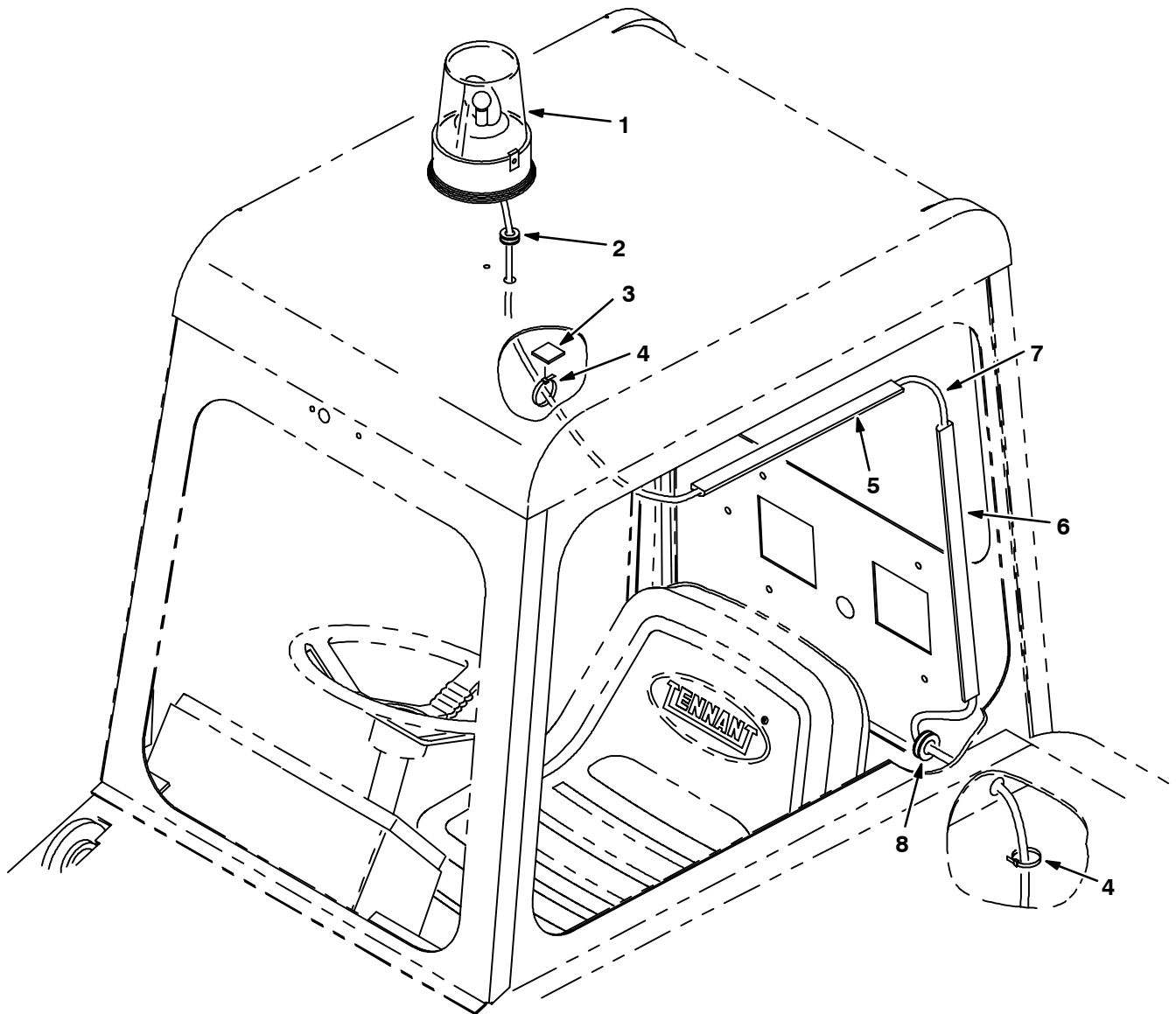
**Fig. 7 - Flashing Light Kit, Cab**



07475 - IC, NA, JP

Ref.	Tennant Part No.	Machine Serial Number	Description	Qty.
▽	60316	(000000-	) Light Kit Flsh 355L Cab	1
▲▽	1 82063	(000000-	) Light, Flashing, Amber, 12V-Re	1
▲▲	58520	(000000-	) Lens,Flashing Lite Fr207 Amber	1
▲▲	45779	(000000-	) Bulb, General Electric	1
▲	2 10632-9	(000000-	) Grommet,Rbr, 0.56 In	1
▲	3 55248	(000000-	) Cabletie Mount, Adhesive	4
▲	4 49266	(000000-	) Tie, Cable 1.75D Max 7.50Lg	4
▲	5 86331	(000000-	) Duct, Vinyl 16.0 In.	1
▲	6 86332	(000000-	) Duct, Vinyl 26.0 In.	1
▲	7 60288	(000000-	) Harness, Revolv Light, Cab,Ohg	1
▲	8 10632-18	(000000-	) Grommet, Rbr, 0.69 ID	1
	58518	(000000-	) Lens,Flashing Lite Fr207 Red	1
	58519	(000000-	) Lens,Flashing Lite Fr207 Blue	1

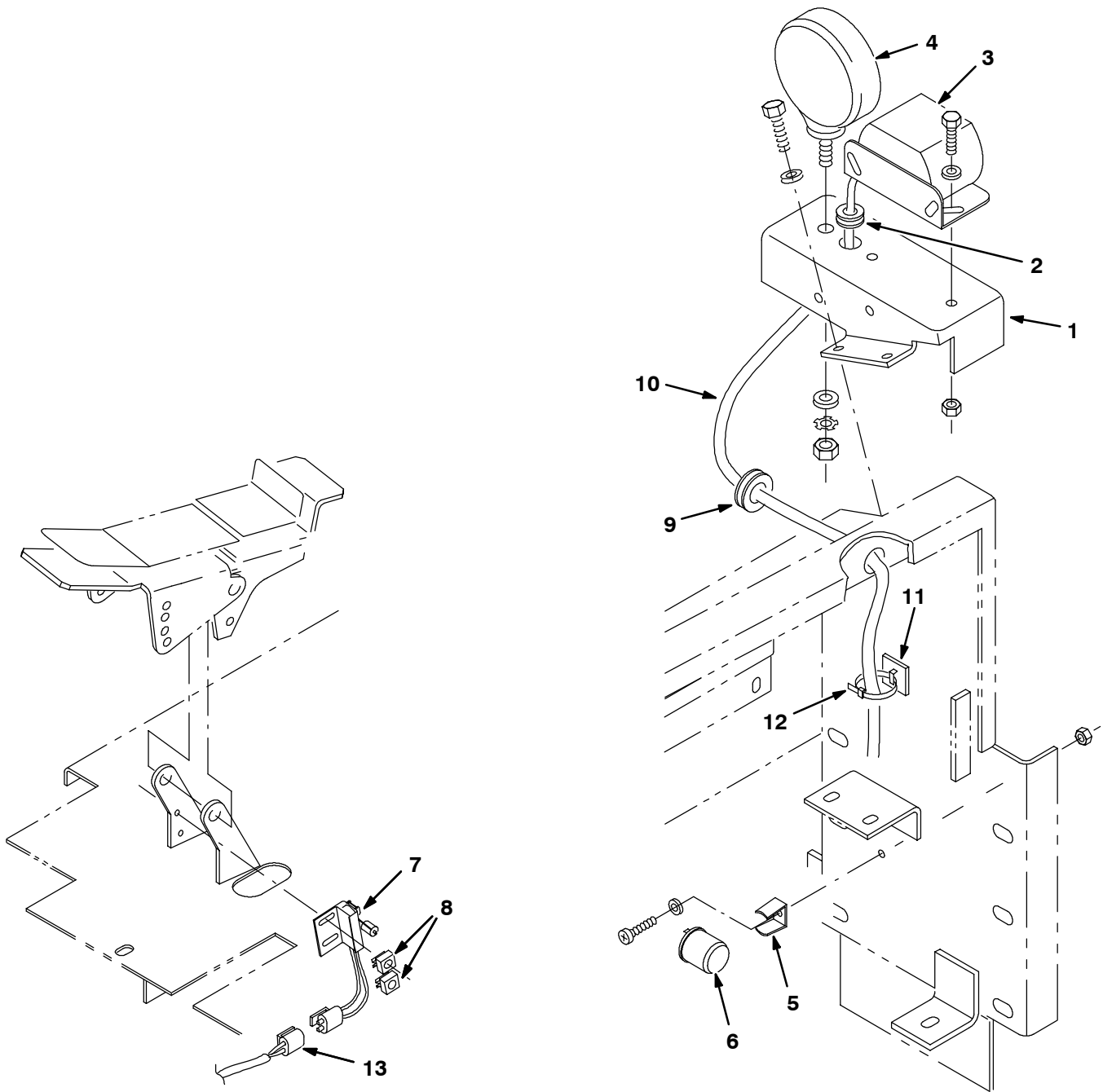
Fig. 8 - Revolving Light Kit, Cab



07476 - IC, NA

Ref.	Tennant Part No.	Machine Serial Number	Description	Qty.
▽	60318	(000000-	) Light Kit Revl 355L Cab	1
▲▽	1 82200	(000000-	) Light,Rev.Amber 12V-Reworked	1
▲▲	44681-1	(000000-	) Lens,Rev.Light,Amber	1
▲▲	45779	(000000-	) Bulb, General Electric	1
▲	2 10632-9	(000000-	) Grommet,Rbr, 0.56 In	1
▲	3 55248	(000000-	) Cabletie Mount, Adhesive	4
▲	4 49266	(000000-	) Tie, Cable 1.75D Max 7.50Lg	4
▲	5 86331	(000000-	) Duct, Vinyl 16.0 In.	1
▲	6 86332	(000000-	) Duct, Vinyl 26.0 In.	1
▲	7 60288	(000000-	) Harness, Revolv Light, Cab,Ohg	1
▲	8 10632-18	(000000-	) Grommet, Rbr, 0.69 ID	1
	44681	(000000-	) Lens,Rev.Light,Red	1
	44681-2	(000000-	) Lens,Rev.Light,Blue	1

Fig. 9 - Back-Up Alarm Kit, LRC

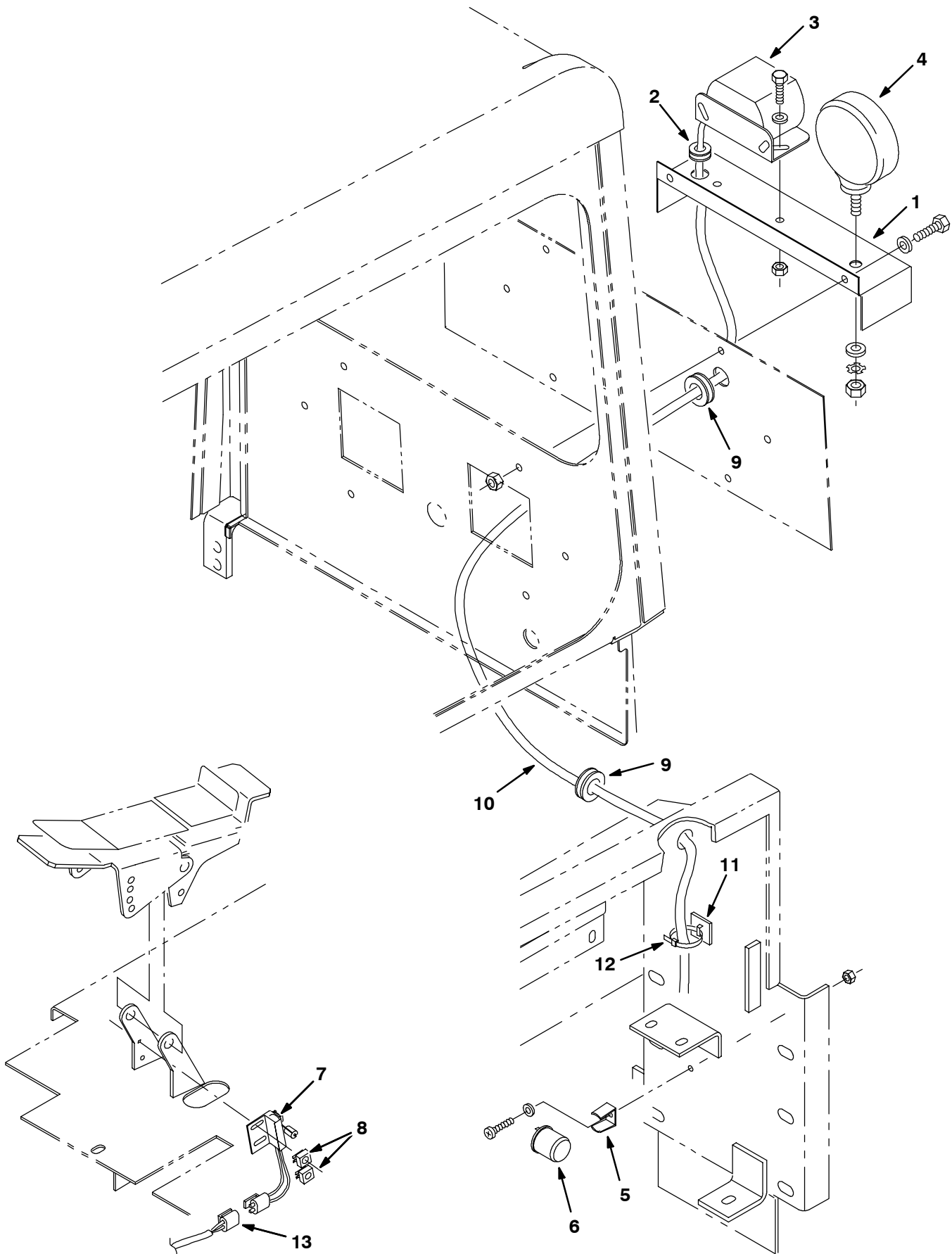




**Fig. 9 - Back-Up Alarm Kit , LRC**

	<b>Ref.</b>	<b>Tennant Part No.</b>	<b>Machine Serial Number</b>	<b>Description</b>	<b>Qty.</b>
▽		59395	(000000-	) Alarm Kit, Bu A/v 355L	1
▲	1	71056	(000000-	) Bracket, Mtg, Back-Up Alarm	1
▲	2	10632-9	(000000-	) Grommet,Rbr, 0.56 In	1
▲	3	61920	(000000-	) Horn Assy, Back-Up Alarm	1
▲▽	4	36438	(000000-	) Headlight Assy,210G	1
▲▲		36439	(000000-	) Bulb, 12V .9A 15Cp#1004	1
▲	5	24576-1	(000000-	) Bracket, Flasher	1
▲	6	24576	(000000-	) Flasher, 12V	1
▲	7	23211	(000000-	) Switch Assy, Roller	1
▲	8	23210	(000000-	) Nut Speed, Retainer, 8-32 Thd	2
▲	9	10632-18	(000000-	) Grommet, Rbr, 0.69 ID	1
▲	10	71544	(000000-	) Harness, Alarm, Backup	1
▲	11	55248	(000000-	) Cabletie Mount, Adhesive	2
▲	12	49266	(000000-	) Tie, Cable 1.75D Max 7.50Lg	5
▲	13	70159	(000000-	) Harness, Adapter, B/u Alarm	1

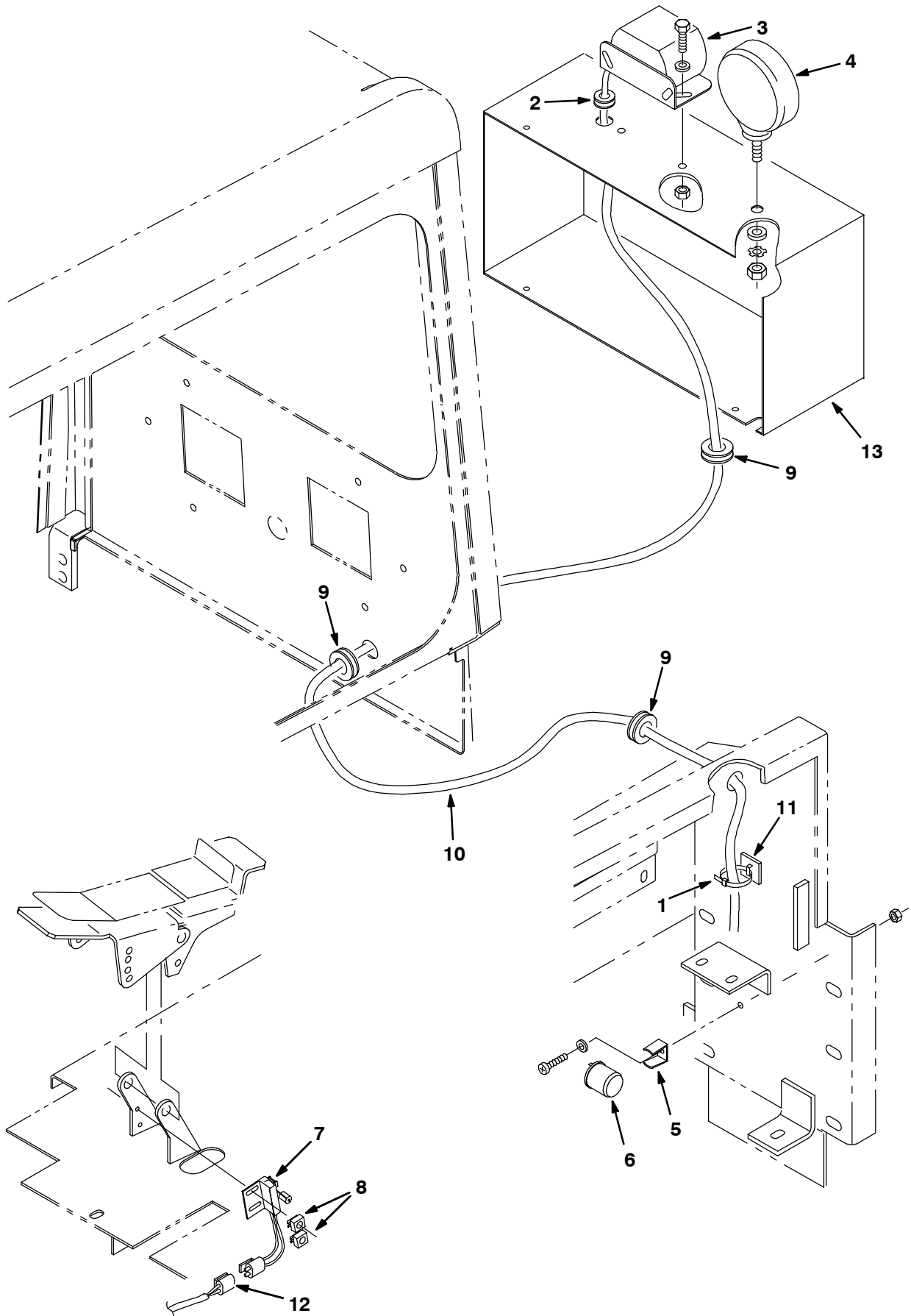
Fig. 10 - Back-Up Alarm Kit, Cab



**Fig. 10 - Back-Up Alarm Kit, Cab**

	<b>Ref.</b>	<b>Tennant Part No.</b>	<b>Machine Serial Number</b>	<b>Description</b>	<b>Qty.</b>
▽		72096	(000000-	) Alarm Kit, Bu A/v 355L, Cab	1
▲	1	71058	(000000-	) Bracket, Alarm, Back-Up	1
▲	2	10632-9	(000000-	) Grommet,Rbr, 0.56 In	1
▲	3	61920	(000000-	) Horn Assy, Back-Up Alarm	1
▲▽	4	36438	(000000-	) Headlight Assy,210G	1
▲▲		36439	(000000-	) Bulb, 12V .9A 15Cp#1004	1
▲	5	24576-1	(000000-	) Bracket, Flasher	1
▲	6	24576	(000000-	) Flasher, 12V	1
▲	7	23211	(000000-	) Switch Assy, Roller	1
▲	8	23210	(000000-	) Nut Speed, Retainer, 8-32 Thd	2
▲	9	10632-18	(000000-	) Grommet, Rbr, 0.69 ID	2
▲	10	71544	(000000-	) Harness, Alarm, Backup	1
▲	11	55248	(000000-	) Cabletie Mount, Adhesive	2
▲	12	49266	(000000-	) Tie, Cable 1.75D Max 7.50Lg	5
▲	13	70159	(000000-	) Harness, Adapter, B/u Alarm	1

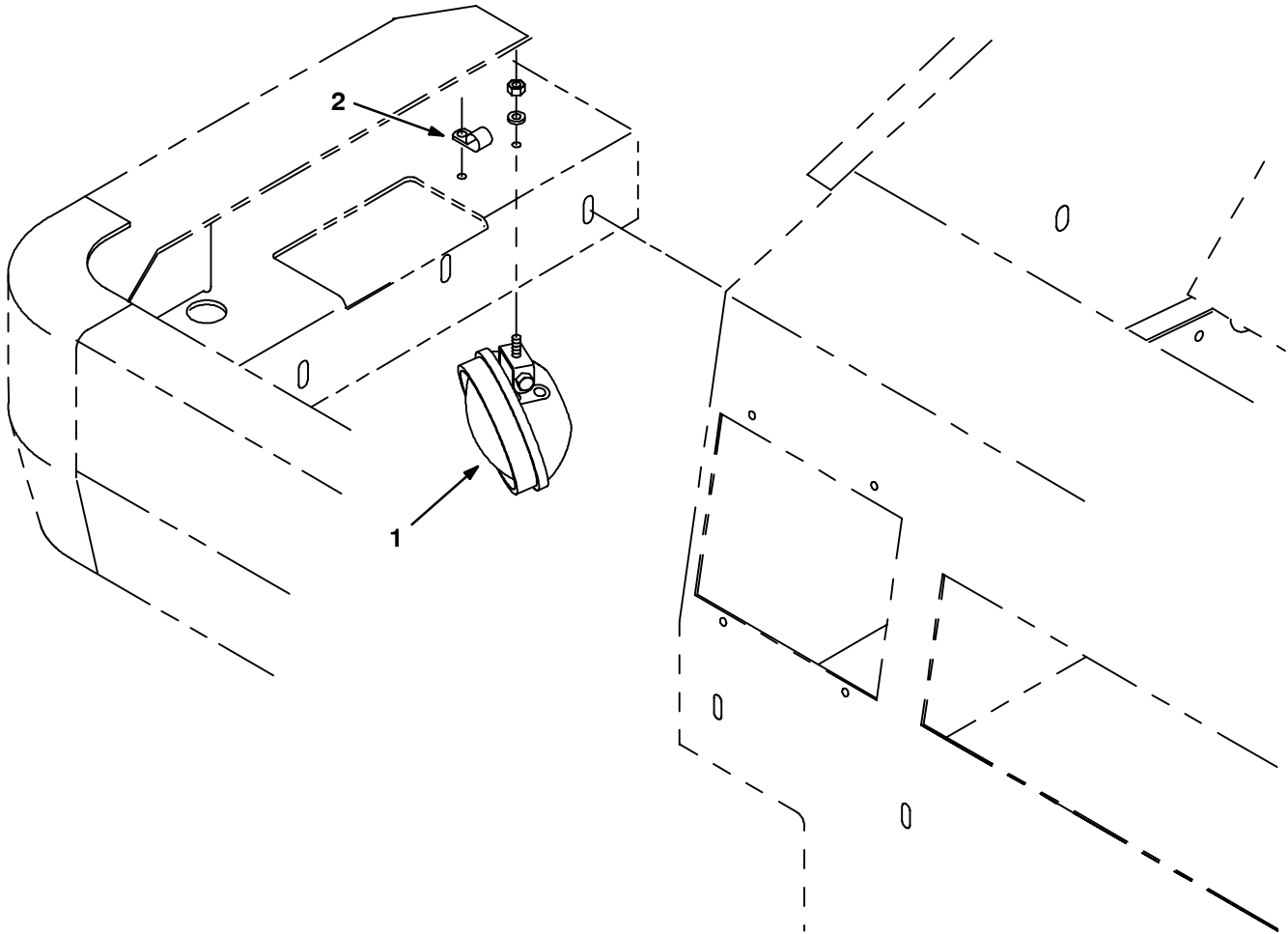
Fig. 11 - Back-Up Alarm Kit, Cab with Pressurizer



**Fig. 11 - Back-Up Alarm Kit, Cab with Pressurizer**

	<b>Ref.</b>	<b>Tennant Part No.</b>	<b>Machine Serial Number</b>	<b>Description</b>	<b>Qty.</b>
▽		72094	(000000-	) Alarm Kit, Bu A/v 355L, Cab with Pressurizer	1
▲	1	49266	(000000-	) Tie, Cable 1.75D Max 7.50Lg	5
▲	2	10632-9	(000000-	) Grommet,Rbr, 0.56 In	1
▲	3	61920	(000000-	) Horn Assy, Back-Up Alarm	1
▲▽	4	36438	(000000-	) Headlight Assy,210G	1
▲▲		36439	(000000-	) Bulb, 12V .9A 15Cp#1004	1
▲	5	24576-1	(000000-	) Bracket, Flasher	1
▲	6	24576	(000000-	) Flasher, 12V	1
▲	7	23211	(000000-	) Switch Assy, Roller	1
▲	8	23210	(000000-	) Nut Speed, Retainer, 8-32 Thd	2
▲	9	10632-18	(000000-	) Grommet, Rbr, 0.69 ID	3
▲	10	71544	(000000-	) Harness, Alarm, Backup	1
▲	11	55248	(000000-	) Cabletie Mount, Adhesive	2
▲	12	70159	(000000-	) Harness, Adapter, B/u Alarm	1
	13	72080	(000000-	) Cover Wldt, Press & Alarm	1

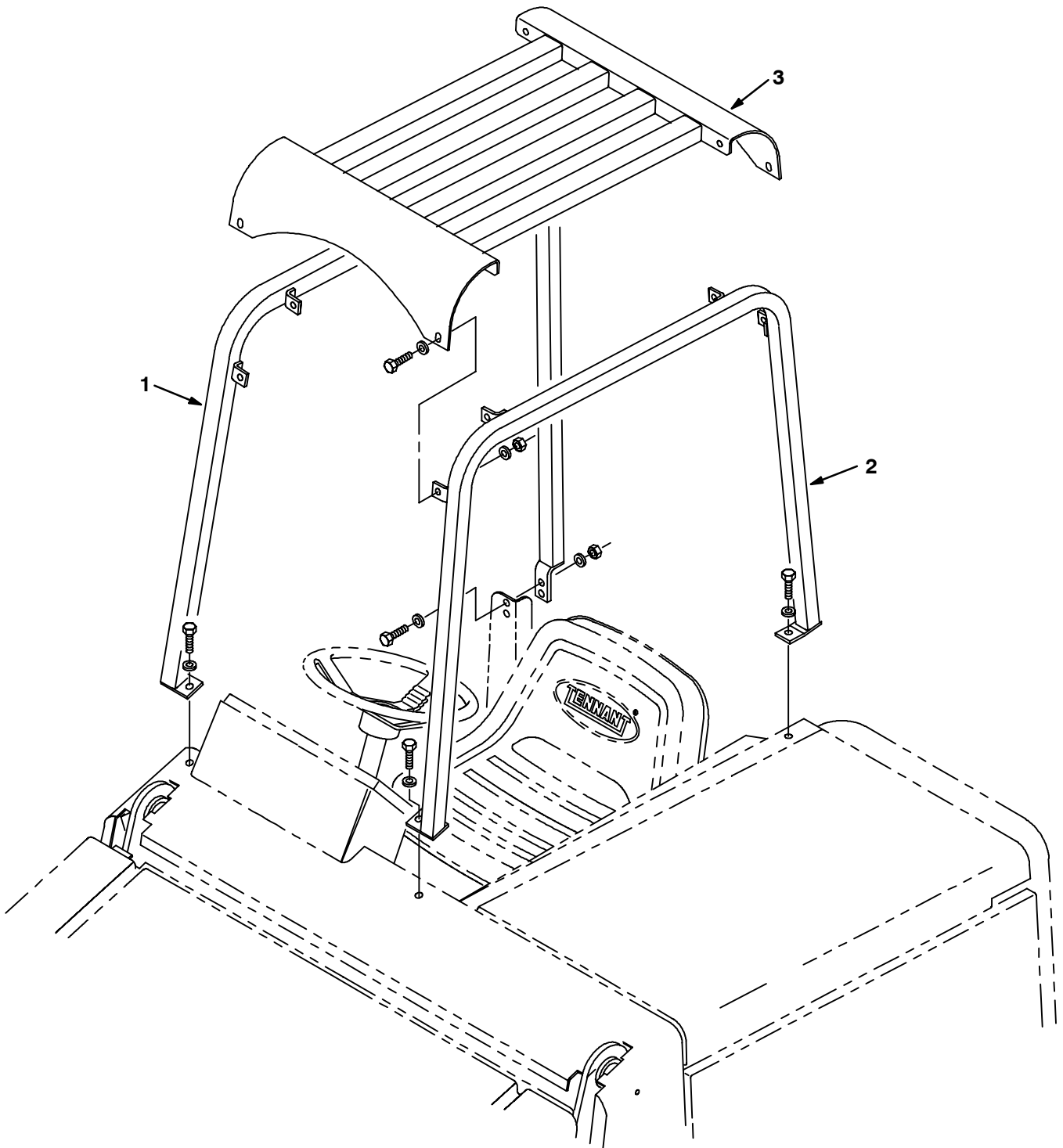
**Fig. 12 - Side Brush Light Kit**



07514 - IC

	<b>Ref.</b>	<b>Tennant Part No.</b>	<b>Machine Serial Number</b>	<b>Description</b>	<b>Qty.</b>
▽		60372	(000000- )	Light Kit, Side Brush 355L	1
▲▽	1	19827	(000000- )	Light Assy Work/Clr 12V- . A	1
▲▲		51570	(000000- )	Bulb GE	1
▲	2	40678	(000000- )	Clamp, Cable .44D .62Wide	1

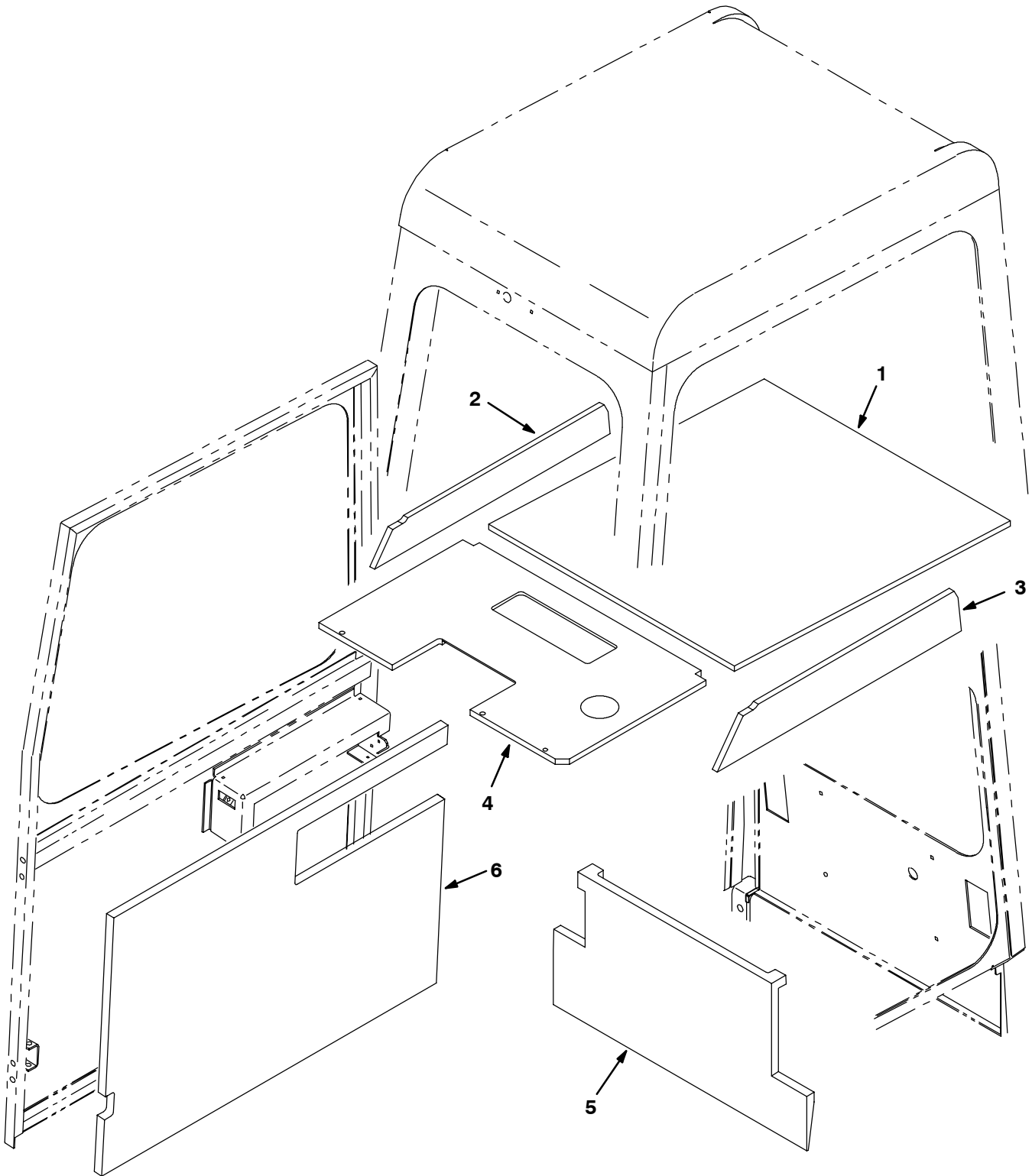
Fig. 13 - Overhead Guard Kit



07469 - 6500, NA, JP

Ref.	Tennant Part No.	Machine Serial Number	Description	Qty.
▽	56595	(000000-	) Guard Kit, 355L	1
▲	1 59665	(000000-	) Tube Wldt, Leg, Ohg,Rh,Painted	1
▲	2 59666	(000000-	) Tube Wldt, Leg,Ohg,Lh,Painted	1
▲	3 391850	(000000-	) Guard Wldt, Ohg, Top	1

Fig. 14 - Cab Insulation Group



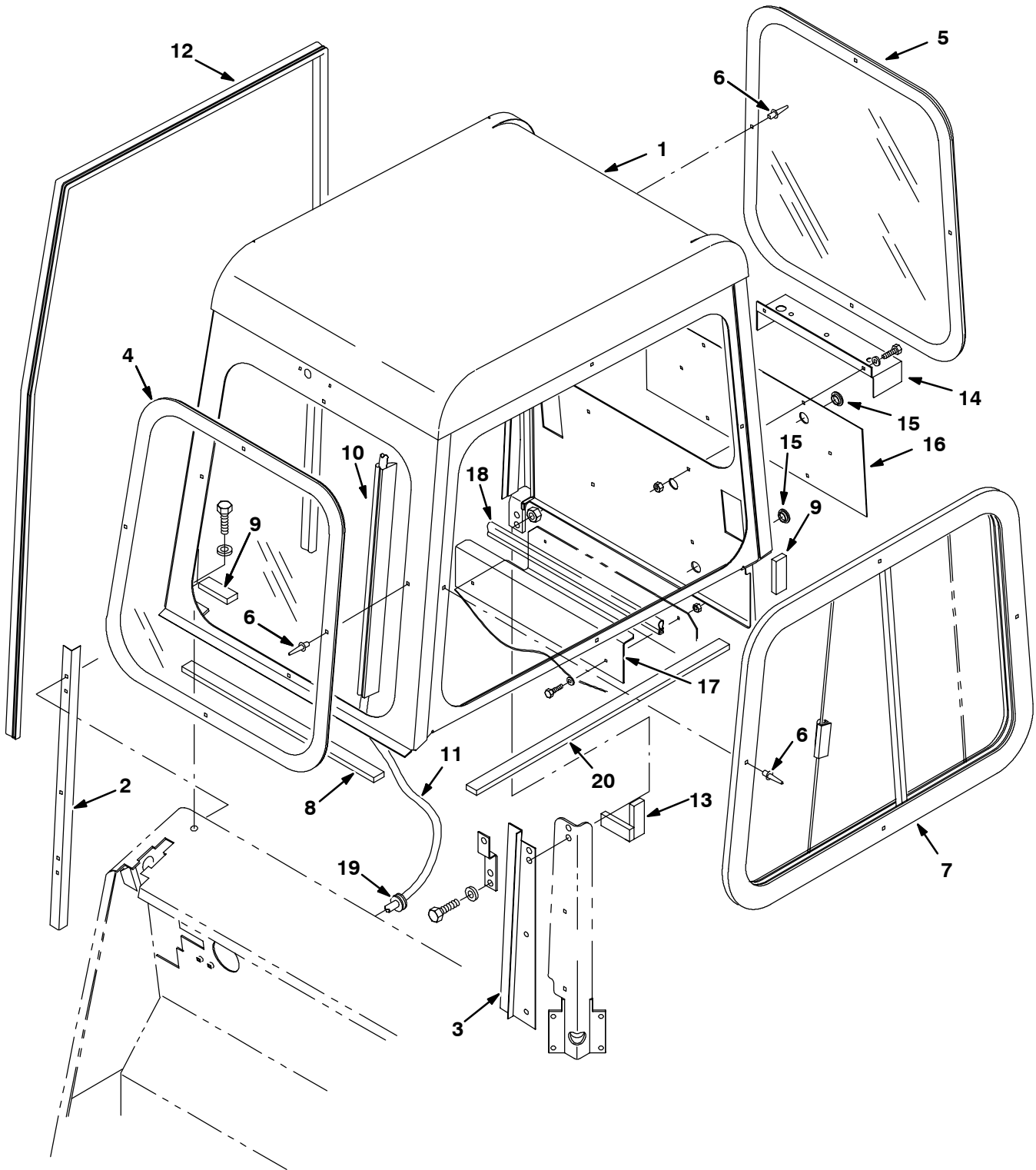


**Fig. 14 - Cab Insulation Group**

*NOTE: Cab Kit, TENNANT Part Number 59511, includes Fig. 14, Fig. 15, Fig. 16, Fig. 17, and Fig. 18.*

<b>Ref.</b>	<b>Tennant Part No.</b>	<b>Machine Serial Number</b>	<b>Description</b>	<b>Qty.</b>
1	55073	(000000-	) Insulation,S/Foam,Roof	1
2	55074	(000000-	) Insulation,S/Foam,Side Rh	1
3	55161	(000000-	) Insulation,S/Foam,Side Lh	1
4	55162	(000000-	) Insulation,S/Foam,Panel	1
5	393372	(000000-	) Insulation, S/Foam, Rear	1
6	55164	(000000-	) Insulation,S/Foam Door	1

Fig. 15 - Cab Frame and Windows Group

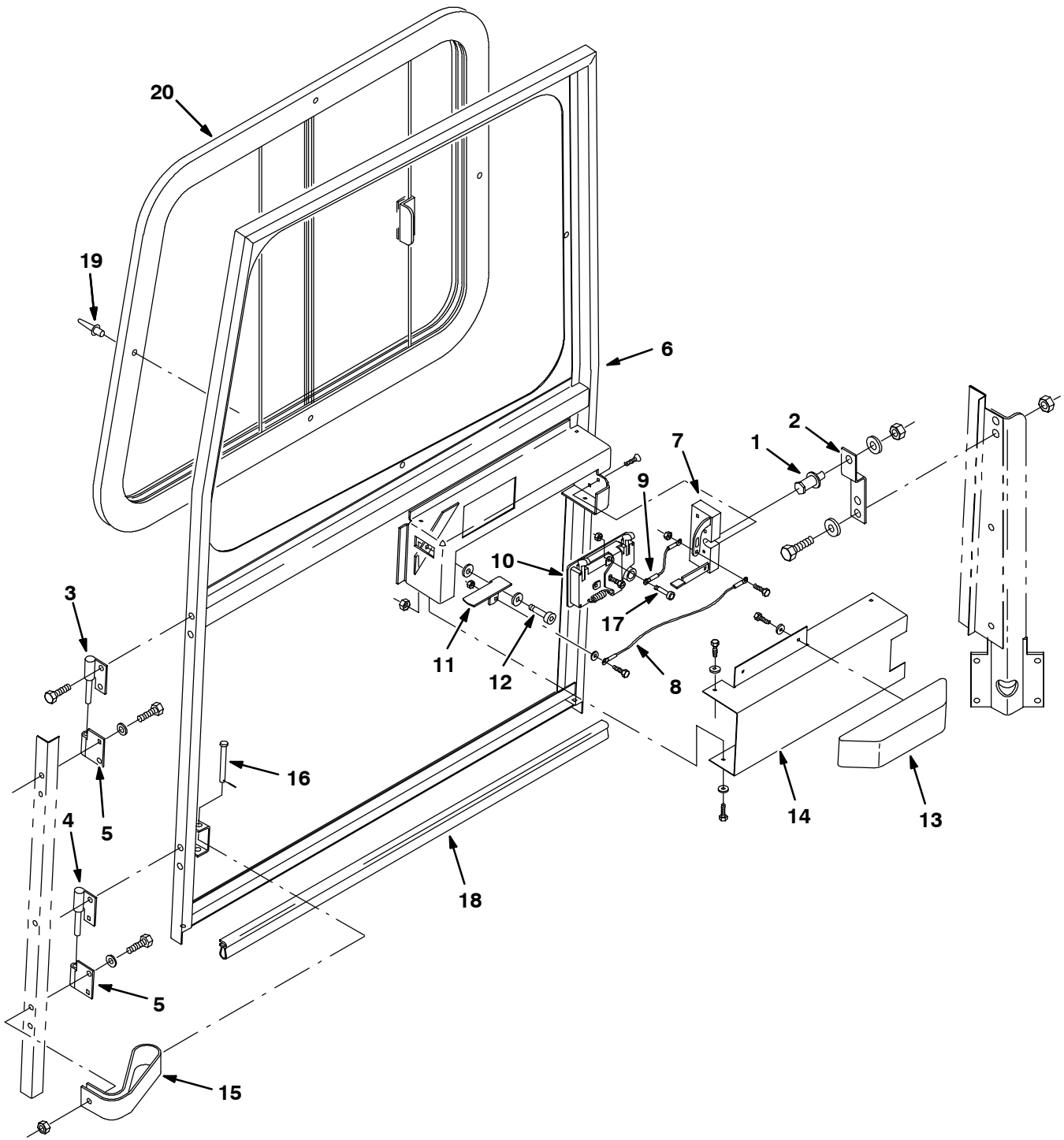


**Fig. 15 - Cab Frame and Windows Group**

*NOTE: Cab Kit, TENNANT Part Number 59511, includes Fig. 14, Fig. 15, Fig. 16, Fig. 17, and Fig. 18.*

<b>Ref.</b>	<b>Tennant Part No.</b>	<b>Machine Serial Number</b>	<b>Description</b>	<b>Qty.</b>
1	370143	(000000-	) Cab Wldt	1
2	56546	(000000-	) Angle, Door Jamb	1
3	56560	(000000-	) Angle, Door Jamb, Lower, Rear	1
4	74430	(000000-	) Window, Cab, Front	1
5	74431	(000000-	) Window, Cab, Rear	1
6	56799	(000000-	) Rivet, Pop- .125Dx.38x.25Dhd Al	12
7	74429	(000000-	) Window, Cab, Side	1
8	55959	(000000-	) Seal, Cab, Front	1
9	55968	(000000-	) Seal, Cab, Side	2
10	55973	(000000-	) Duct, Vinyl 24.0	1
11	60287	(000000-	) Harness, Cab	1
12	66221	(000000-	) Seal, 142.0 Lg Door	1
13	66197	(000000-	) Insulation, Acoustic	1
14	71058	(000000-	) Bracket, Back-Up Alarm	1
15	55035	(000000-	) Plug, Plastic, 1.00 D	2
16	55270	(000000-	) Plate, Cover	1
17	55227	(000000-	) Plate, Seal, Sppt, Seat	1
18	55228	(000000-	) Seal, 19.75 Lg	1
19	56187	(000000-	) Grommet, Rubber	1
20	55963	(000000-	) Seal, Cab, Side	1

Fig. 16 - Cab Door Group

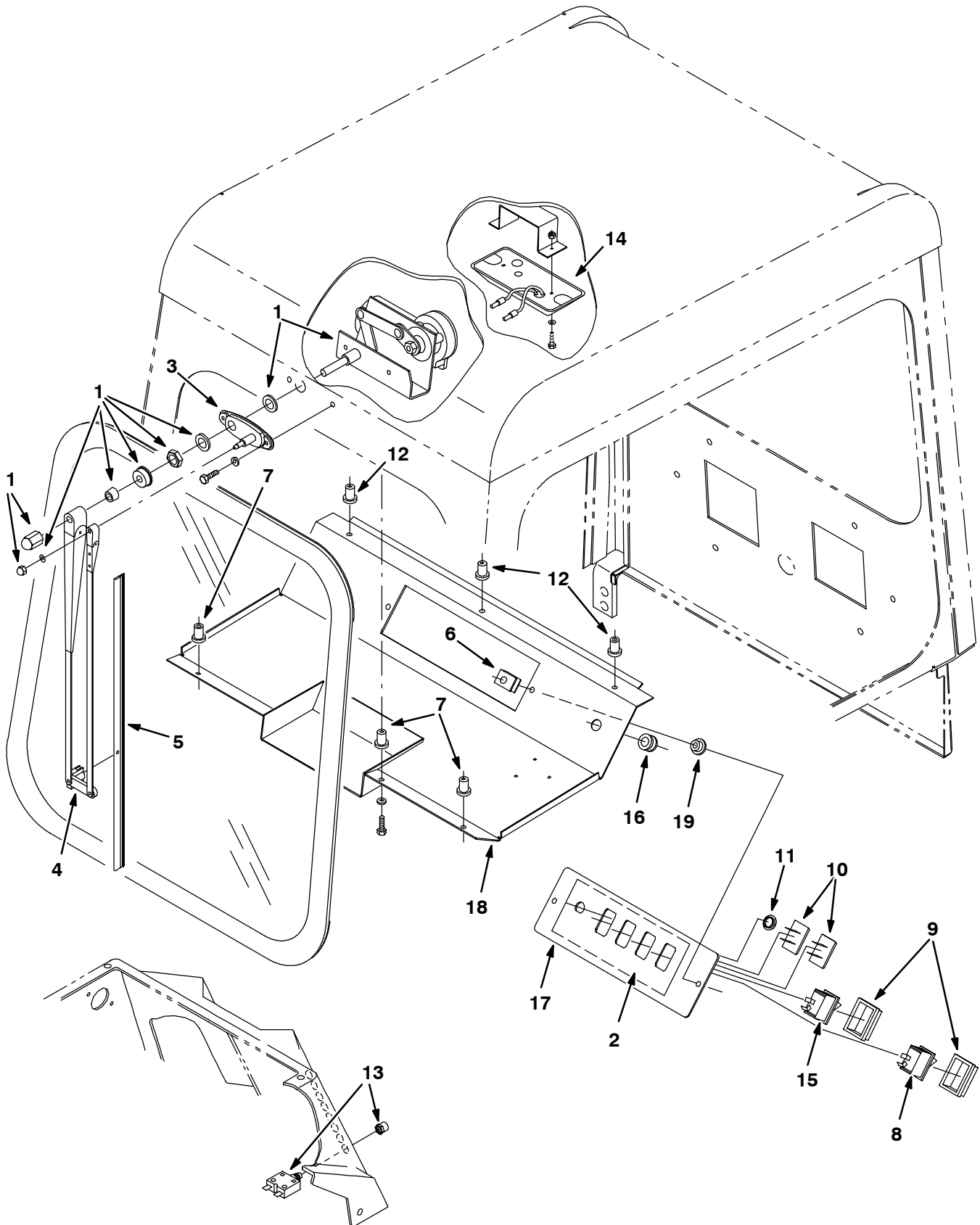


**Fig. 16 - Cab Door Group**

*NOTE: Cab Kit, TENNANT Part Number 59511, includes Fig. 14, Fig. 15, Fig. 16, Fig. 17, and Fig. 18.*

<b>Ref.</b>	<b>Tennant Part No.</b>	<b>Machine Serial Number</b>	<b>Description</b>	<b>Qty.</b>
1	58898	(000000-	) Bolt, Latch	1
2	59032	(000000-	) Bracket, Latch, Bolt	1
3	374653	(000000-	) Hinge Wldt, Long Pin	1
4	374654	(000000-	) Hinge Wldt, Short Pin	1
5	374651	(000000-	) Hinge Wldt, Cab Door	2
6	370146	(000000-	) Door Wldt, Cab	1
7	59514	(000000-	) Latch	1
8	57702	(000000-	) Cable, Door, Access	1
9	55038	(000000-	) Cable, .06D X 5.75	1
10	59515	(000000-	) Handle, Paddle	1
11	391816	(000000-	) Lever, Door Release	1
12	02129	(000000-	) Scr-Shld .375Dx0.38L .31-18	1
13	34280	(000000-	) Armrest Cab	1
14	59031	(000000-	) Cover, Bracket, Armrest	1
15	60862	(000000-	) Sleeve, Door Stop	1
16	02126	(000000-	) Pin, Clevis, 0.37 Diax3.00L	1
17	31249	(000000-	) Scr-Shld .250Dx1.25L 10-24	1
18	72024	(000000-	) Seal, Cab Door	1
19	56799	(000000-	) Rivet, Pop- .125Dx.38x.25Dhd Al	4
20	74428	(000000-	) Window, Cab, Door	1

Fig. 17 - Cab Electrical and Wiper Group

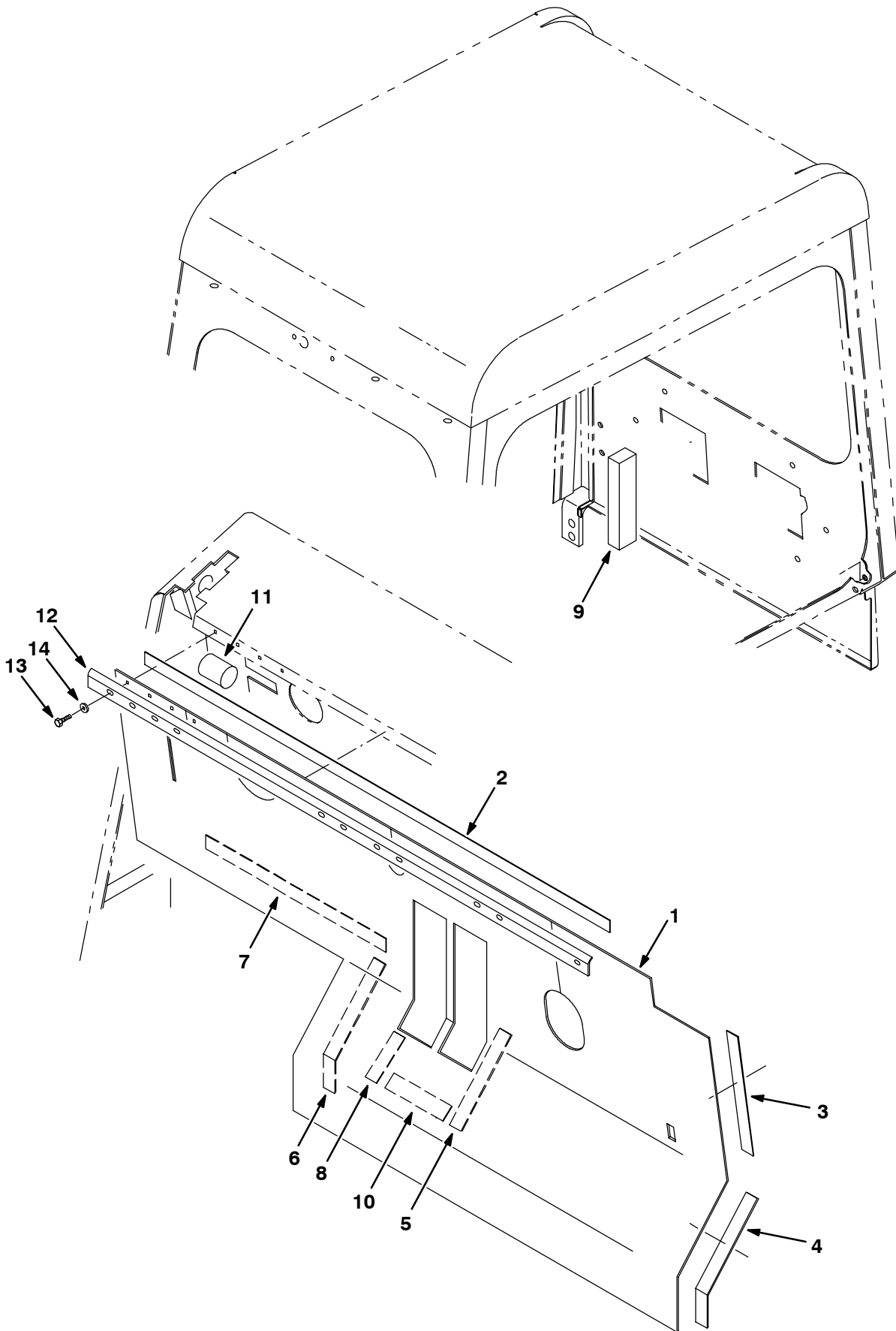


**Fig. 17 - Cab Electrical and Wiper Group**

*NOTE: Cab Kit, TENNANT Part Number 59511, includes Fig. 14, Fig. 15, Fig. 16, Fig. 17, and Fig. 18.*

<b>Ref.</b>	<b>Tennant Part No.</b>	<b>Machine Serial Number</b>	<b>Description</b>	<b>Qty.</b>	
1	59803	(000000-	) Motor-Ele 12V, Wiper, Windshld	1	
2	55181	(000000-	) Label, Operational, Cab	1	
3	59797	(000000-	) Plate, Mtg, Wiper Kit	1	
4	59799	(000000-	) Arm, Windshield Wiper, Panto	1	
5	74433	(000000-	) Blade, Windshield Wiper, 18"	1	
6	12271	(000000-	) Nut, U M6 X 1.0	2	
7	41845	(000000-	) Well-Nut .25-20 #1/4-5	3	
8	65553	(000000-	) Switch, Rocker Dpdt	1	
9	57807	(000000-	) Cover, Rocker Switch Seal	2	
10	57772	(000000-	) Plate-Cover	2	
11	57167	(000000-	) Plugbtn .62H .03-.12 Blacknyl	1	
12	61913	(000000-	) Nut, isolator, .25-20 Wall Thk .031-.187	3	
13	383722	(000000-	) Circuitbreaker, 15.0A	1	
▽	14	55461	(000000-	) Light Assy, Dome	1
▲		72142	(000000-	) Bulb	1
15	65561	(000000-	) Switch, Rocker Spst	1	
16	10632-12	(000000-	) Grommet,Rbr, 0.38 In	1	
17	71057	(000000-	) Panel, Switch, Cab	1	
18	72049	(000000-	) Cover Wldt	1	
19	01047	(000000-	) Retainer	2	

Fig. 18 - Cab Dust Kit



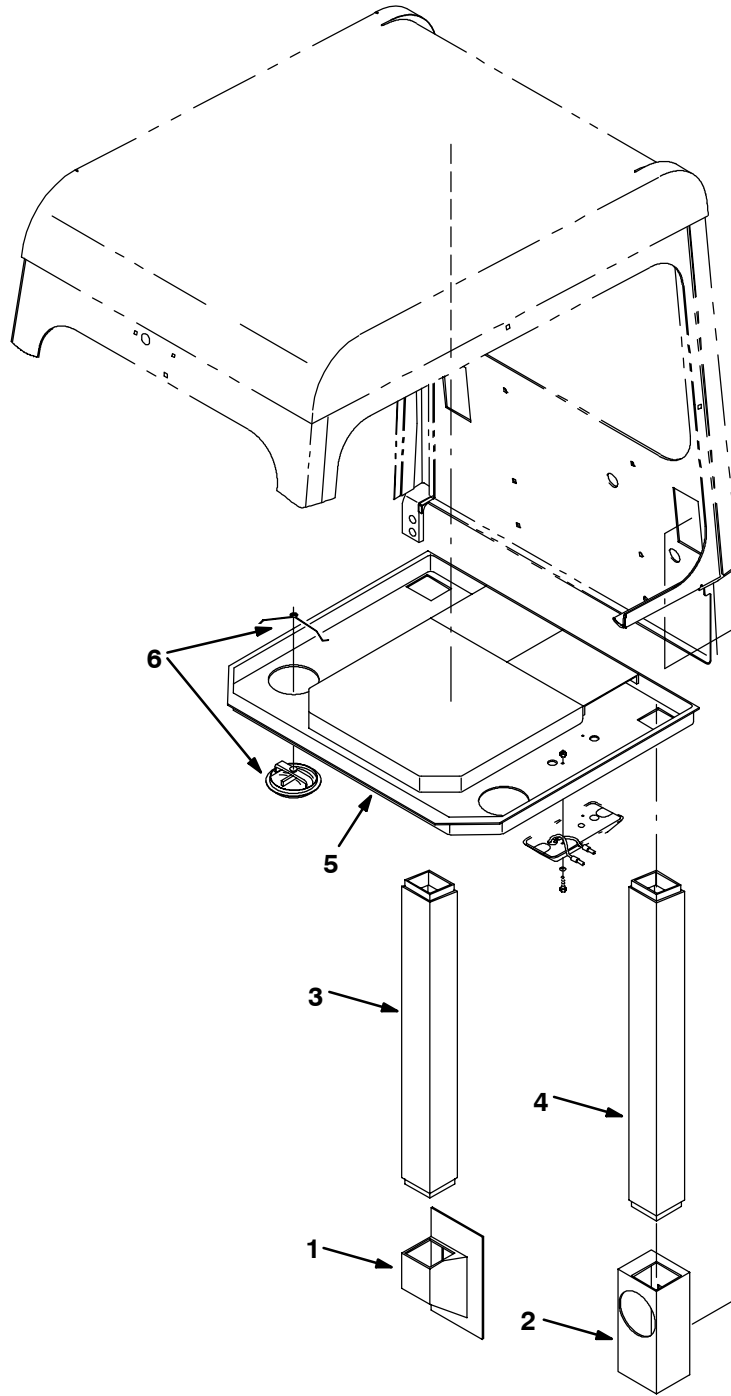


**Fig. 18 - Cab Dust Kit**

*NOTE: Cab Kit, TENNANT Part Number 59511, includes Fig. 14, Fig. 15, Fig. 16, Fig. 17, and Fig. 18.*

	<b>Ref.</b>	<b>Tennant Part No.</b>	<b>Machine Serial Number</b>	<b>Description</b>	<b>Qty.</b>
▽		370115	(000000-	) Cab Dust Kit	1
▲	1	370116	(000000-	) Skirt, Firewall, Rh	1
▲	2	370117	(000000-	) Strip, Velcro 45 Inches Long	1
▲	3	370118	(000000-	) Strip, Velcro 9.75 Inches Long	1
▲	4	370119	(000000-	) Strip, Velcro 11 Inches Long	1
▲	5	370120	(000000-	) Strip, Velcro 15 Inches Long	1
▲	6	370121	(000000-	) Strip, Velcro 12 Inches Long	1
▲	7	370122	(000000-	) Strip, Velcro 16.5 Inches Long	1
▲	8	370129	(000000-	) Strip, Velcro 3.25 Inches Long	1
▲	9	370124	(000000-	) Seal, Seat Side 1x1.5x6.75	1
▲	10	370130	(000000-	) Strip, Velcro	1
▲	11	370125	(000000-	) Seal, Round 1.5Dx2.0L	2
▲	12	370159	(000000-	) Strip, Steel	1
▲	13	12459	(000000-	) Scr-Hxfmgm 6x1.0	11
▲	14	01684	(000000-	) Washer Flt .25 Ss	11

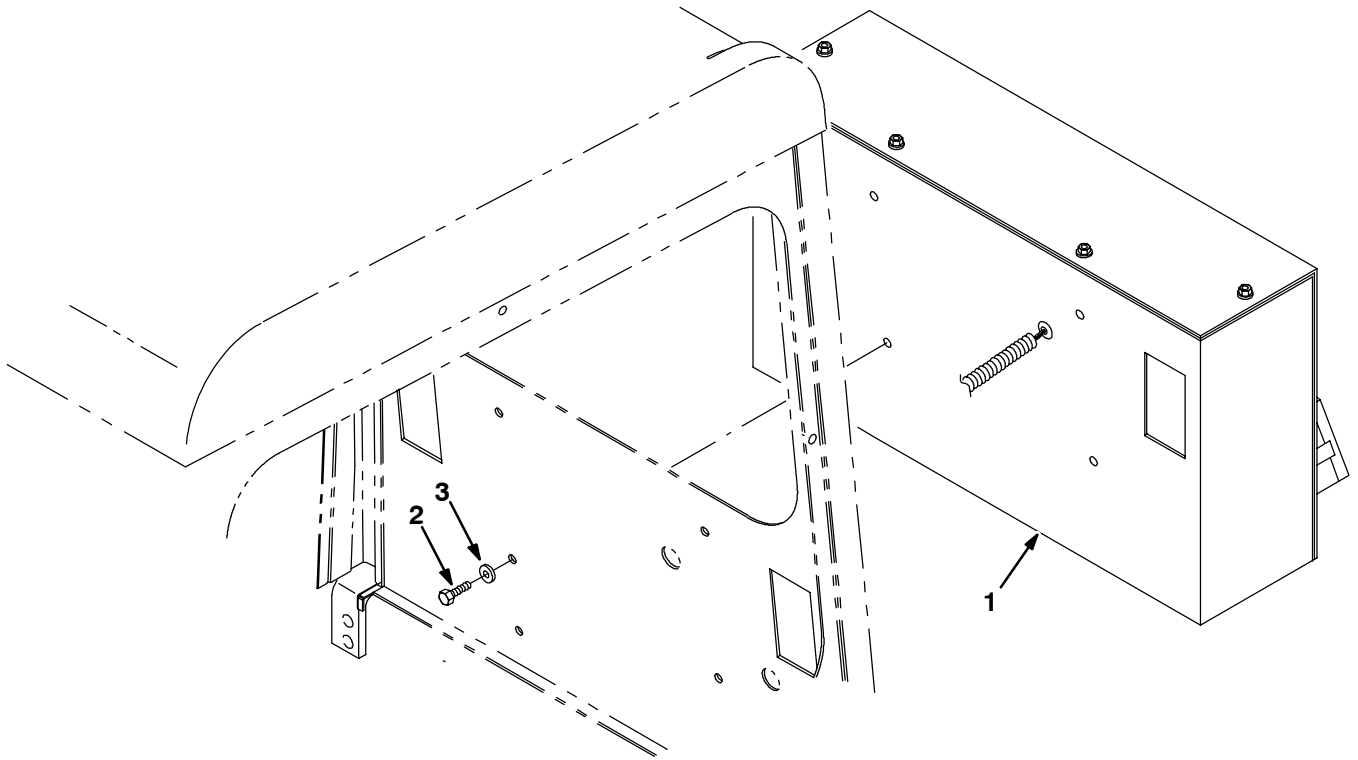
**Fig. 19 - Cab Vent and Duct Group**



353529 - IC, NA, JP

Ref.	Tennant Part No.	Machine Serial Number	Description	Qty.
▽	393366	(000000- )	Duct, Air Pkg	1
▲	1 393391	(000000- )	Duct, Transition, Doorside	1
▲	2 393392	(000000- )	Duct, Transition, Windowside	1
▲	3 393393	(000000- )	Duct, Upright, Doorside	1
▲	4 393394	(000000- )	Duct, Upright, Windowside	1
▲	5 393395	(000000- )	Headliner, Plenum	1
▲	6 393396	(000000- )	Diffuser, Air	5

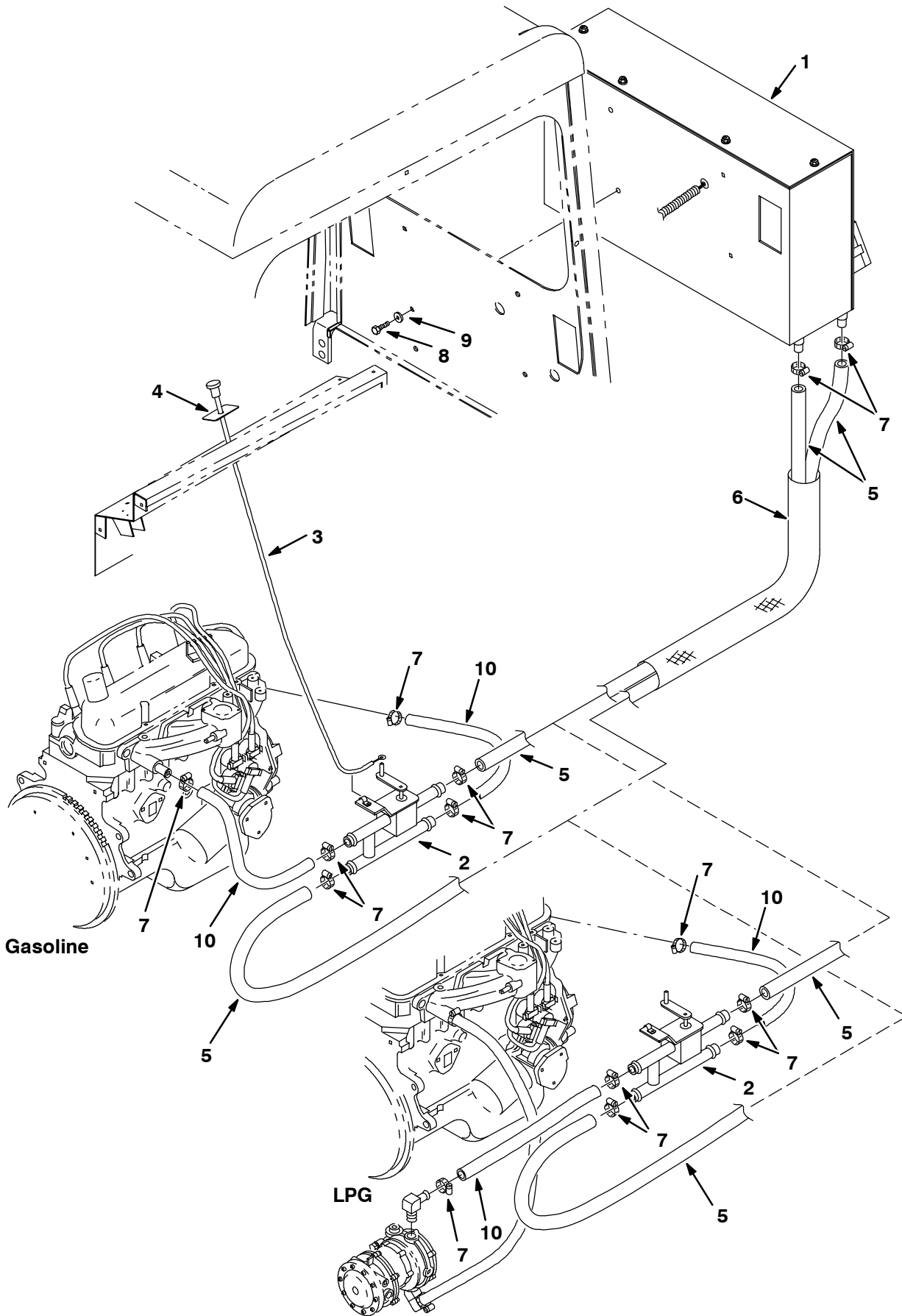
Fig. 20 - Cab Pressurizer Group



353530 - IC, NA, JP

Ref.	Tennant Part No.	Machine Serial Number	Description	Qty.
1	393384	(000000-	) Housing Assy Pkg, Pressurizer (See Breakdowns)	1
2	76955	(000000-	) Screw, Hex, .31-18 X 1.00, 5	4
3	32491	(000000-	) Washer, Flt, .31 Std	4

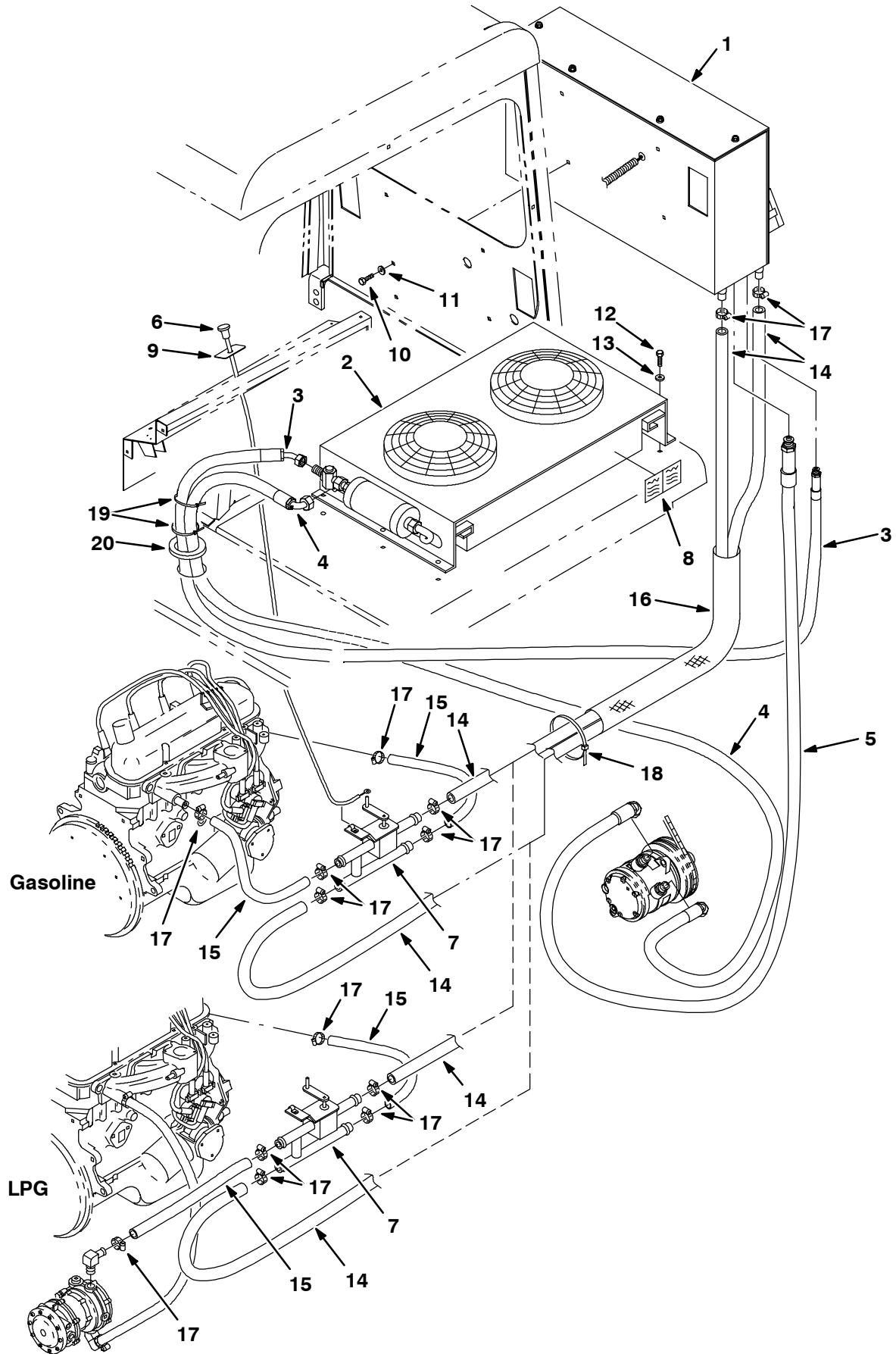
Fig. 21 - Heater and Pressurizer Group



**Fig. 21 - Heater and Pressurizer Group**

<b>Ref.</b>	<b>Tennant Part No.</b>	<b>Machine Serial Number</b>	<b>Description</b>	<b>Qty.</b>
1	393381	(000000-	) Housing Assy, Pkg, Heater (See Breakdowns)	1
2	380618	(000000-	) Valve, Heater	1
3	393355	(000000-	) Cable Assy, Push-Pull	1
4	393356	(000000-	) Label, Heat On-Off	1
5	393390	(000000-	) Hose, Heater, 0.62id 74l	2
6	367987	(000000-	) Sleeve, Nyl, #33 60.0l	1
7	63810	(000000-	) Clamp, Hose, Wormdrive, 0.56-1.06d	8
8	76955	(000000-	) Screw, Hex, .31-18 X 1.00, 5	4
9	32491	(000000-	) Washer, Flt, .31 Std	4
10	31543	(000000-	) Hose, Heater, (Cut in 2)	1

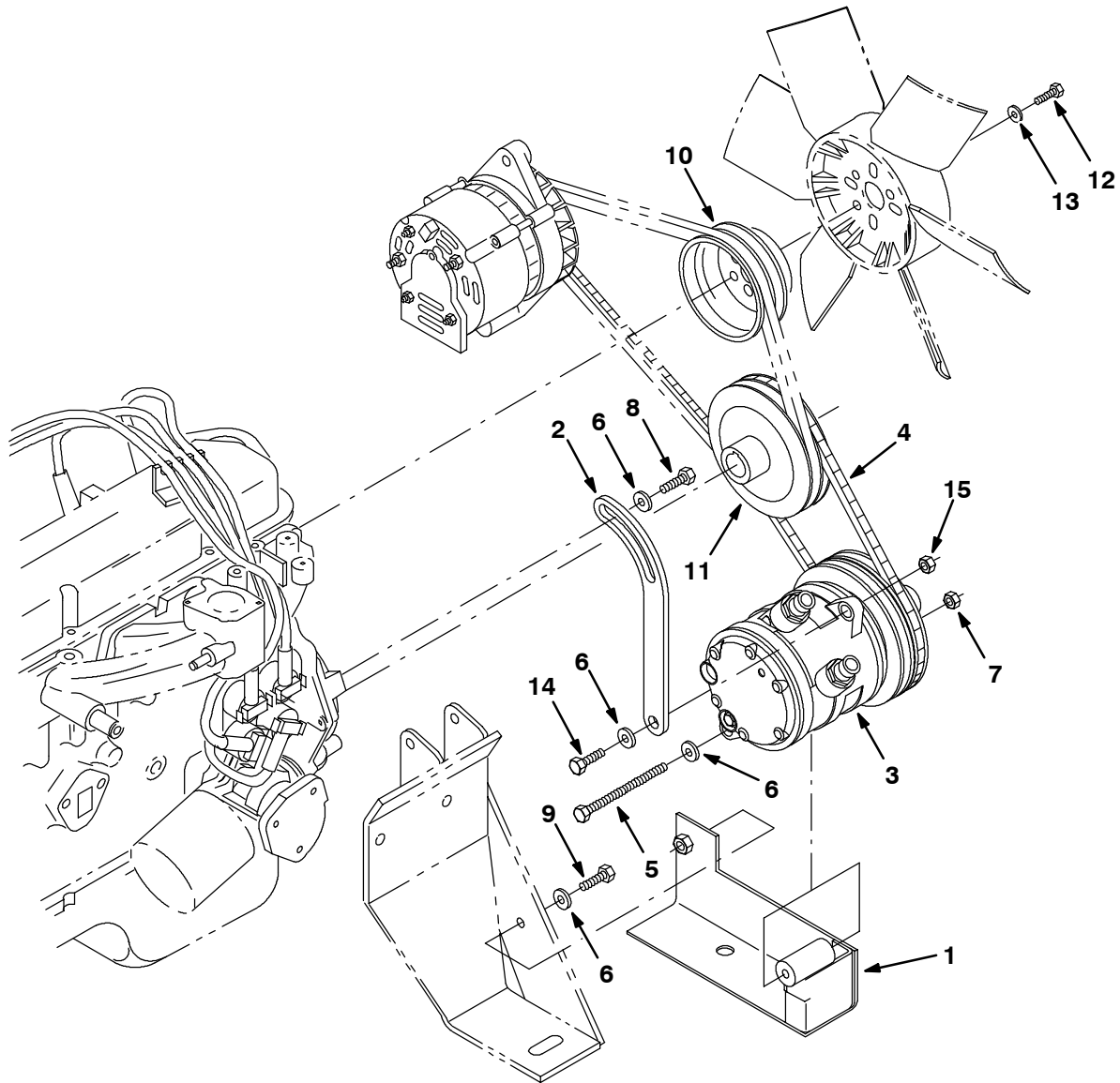
Fig. 22 - Air Conditioning and Heater Group



**Fig. 22 - Air Conditioning and Heater Group**

<b>Ref.</b>	<b>Tennant Part No.</b>	<b>Machine Serial Number</b>	<b>Description</b>	<b>Qty.</b>
1	393339	(000000-	) Housing Assy Pkg, Evaporator/Heater (See Breakdowns)	1
2	393340	(000000-	) Housing Assy, Pkg, Condenser/Fan (See Breakdowns)	1
3	393326	(000000-	) Hose Assy, Reduced Barrier, Air-Cond	1
4	393387	(000000-	) Hose Assy, Reduced Barrier, Air-Cond	1
5	393352	(000000-	) Hose Assy, Reduced Barrier, Air-Cond	1
6	393355	(000000-	) Cable Assy, Push-Pull	1
7	380618	(000000-	) Valve, Heater	1
8	393362	(000000-	) Label, Spec, Air-Cond	1
9	393356	(000000-	) Label, Heat On-Off	1
10	76955	(000000-	) Screw, Hex, .31-18 X 1.00, 5	4
11	32491	(000000-	) Washer, Flt, .31 Std	4
12	24593	(000000-	) Screw, Hex, .25-20 X 0.50, Fmg	4
13	19066	(000000-	) Washer, Flt, #10	4
14	393390	(000000-	) Hose, Heater, 0.62id 74l	2
15	31543	(000000-	) Hose, Heater, (Cut in 2)	1
16	367987	(000000-	) Sleeve, Nyl, #33 60.0l	1
17	63810	(000000-	) Clamp, Hose, Wormdrive, 0.56-1.06d	8
18	763116	(000000-	) Tie, Cable, Nyl, 15.3l . W 4.5 Max D	6
19	763113	(000000-	) Tie, Cable, 20.0l, 6.00d Max	2
20	62595-6	(000000-	) Molding, Trim, .08-.11 07.50	1

**Fig. 23 - Air Conditioning Compressor Group**

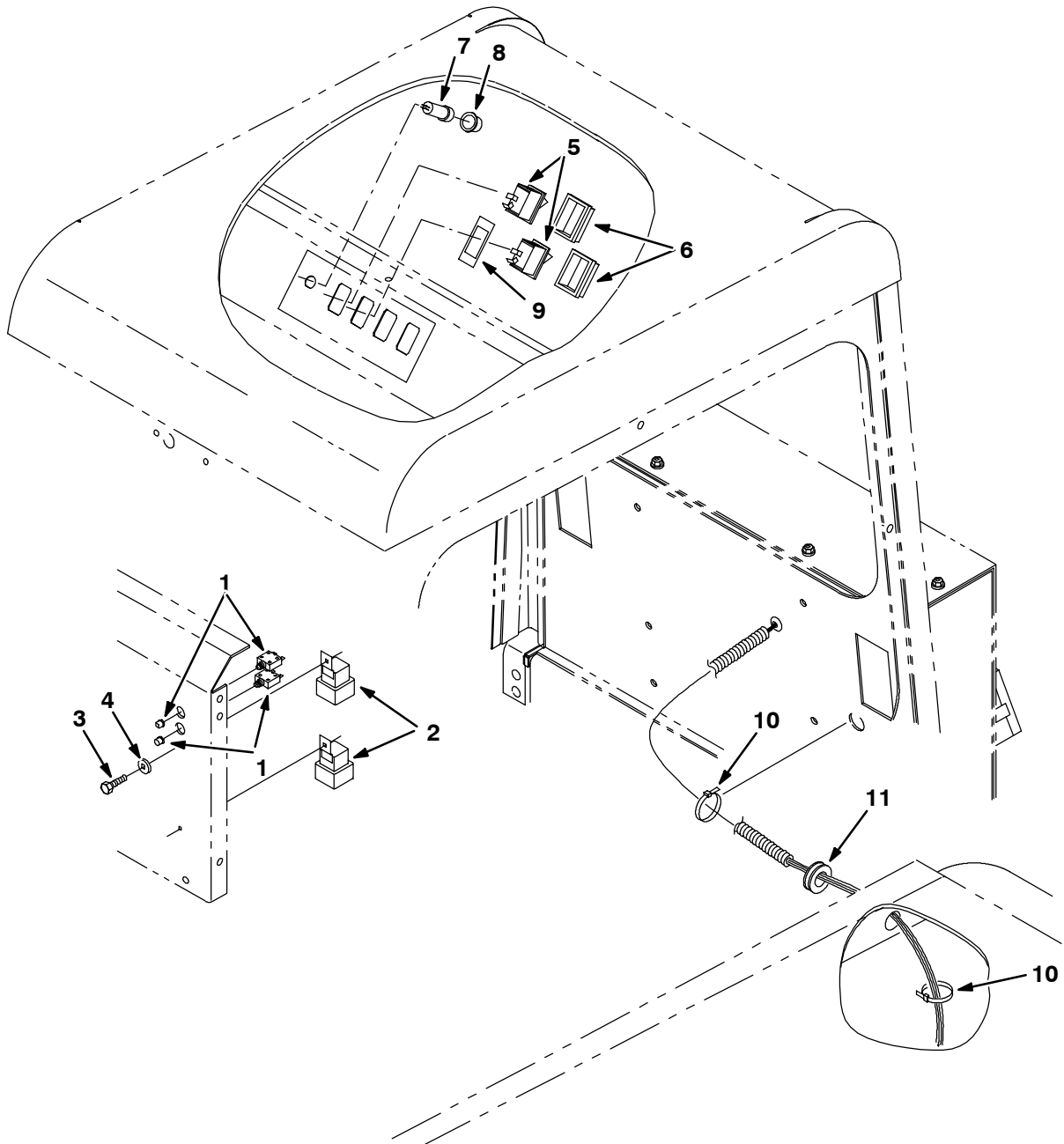


353535 - G/LP, NA, JP

Ref.	Tennant Part No.	Machine Serial Number	Description	Qty.
1	393377	(000000-	) Bracket, Compressor Mtg	1
2	393378	(000000-	) Arm, Compressor Mtg	1
3	393359	(000000-	) Compressor, Air-Cond	1
4	07049	(000000-	) Belt, V, [A-31] 33.0l, Cogged	1
5	20177	(000000-	) Screw, Hex, .38-16 X 4.00, 5	1
6	32485	(000000-	) Washer, Flt, .38 Sae	4
7	50902	(000000-	) Nut, Hex, Lock, .38-16, NI	1
8	21198	(000000-	) Screw, Hex, .38-16 X 1.25, 5	1
9	76955	(000000-	) Screw, Hex, .31-18 X 1.00, 5	1
10	393388	(000000-	) Pulley, Water Pump	1
11	393389	(000000-	) Pulley, Crankshaft	1
12	06945	(000000-	) Screw, Hex, M06 X 1.0 X 30, 8.8	3
13	32982	(000000-	) Washer, Lock, Int, .25	3
14	27988	(000000-	) Screw, Hex, .38-16 X 1.50, 5	1
15	50902	(000000-	) Nut, Hex, Lock, .38-16, NI	1



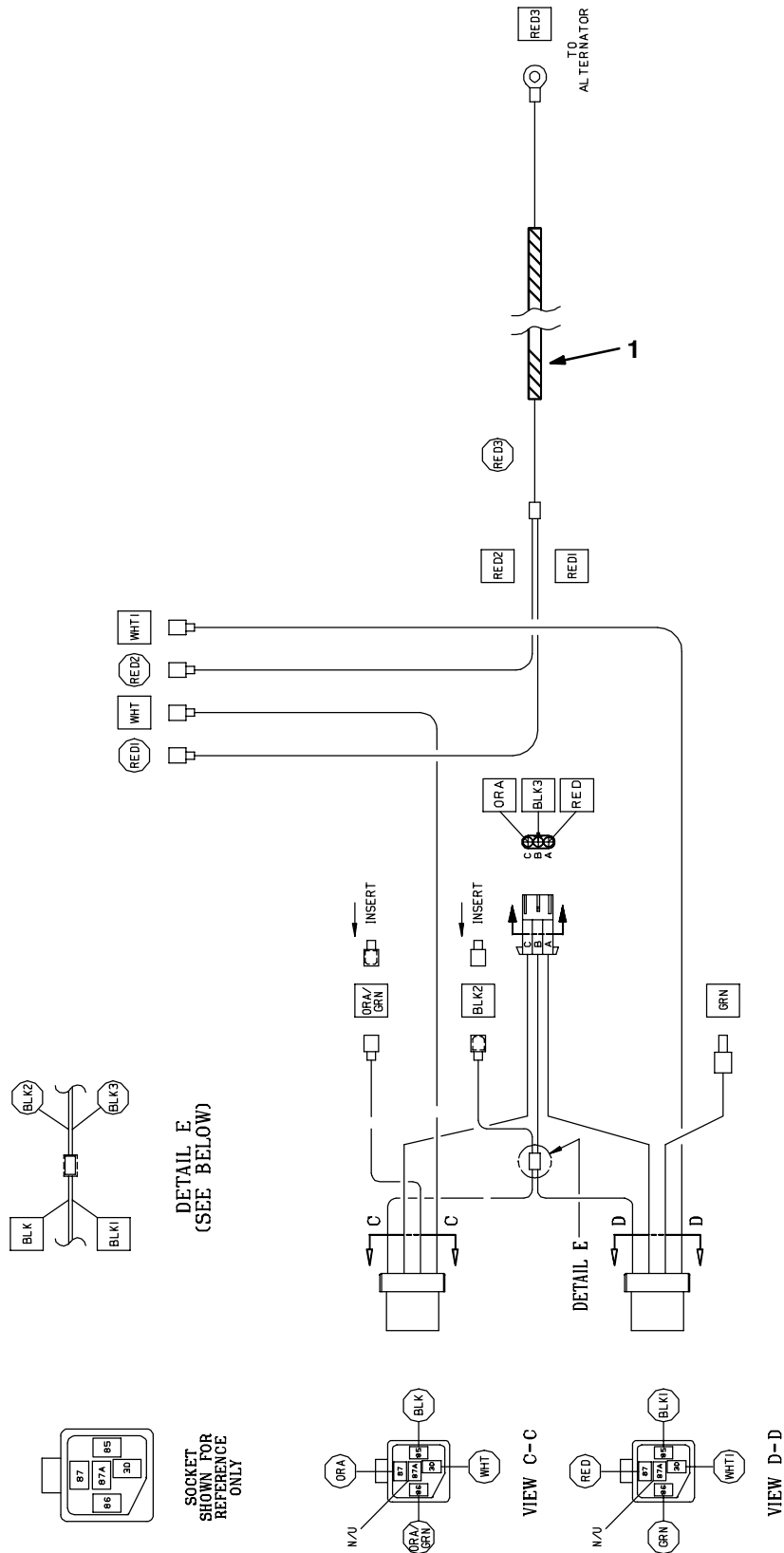
Fig. 24 - Air Conditioning and Heater Electrical Group



353537 - IC, NA, JP

Ref.	Tennant Part No.	Machine Serial Number	Description	Qty.
1	383725	(000000-	) Circuitbreaker, 30.0a	2
2	56186	(000000-	) Relay, 12vdc, 40a, Spdt, [Potter]	2
3	24595	(000000-	) Screw, Hex, .25-20 X 1.00, Fmg	2
4	41140	(000000-	) Washer, Lock, Int-Ext, .25	2
5	65561	(000000-	) Switch, Rocker	2
6	57807	(000000-	) Cover, Rocker Switch	2
7	57803	(000000-	) Circuitbreaker, 15.0a, Resetable	1
8	57751	(000000-	) Boot, Circuitbreaker	1
9	393363	(000000-	) Label, Air Cond On-Off	1
10	49263	(000000-	) Tie, Cable, Nyl, 11.4l .19w 3.0 Max D	10
11	10632-18	(000000-	) Grommet, Rbr, 0.69id, F/ 0.1h, .25matl	1

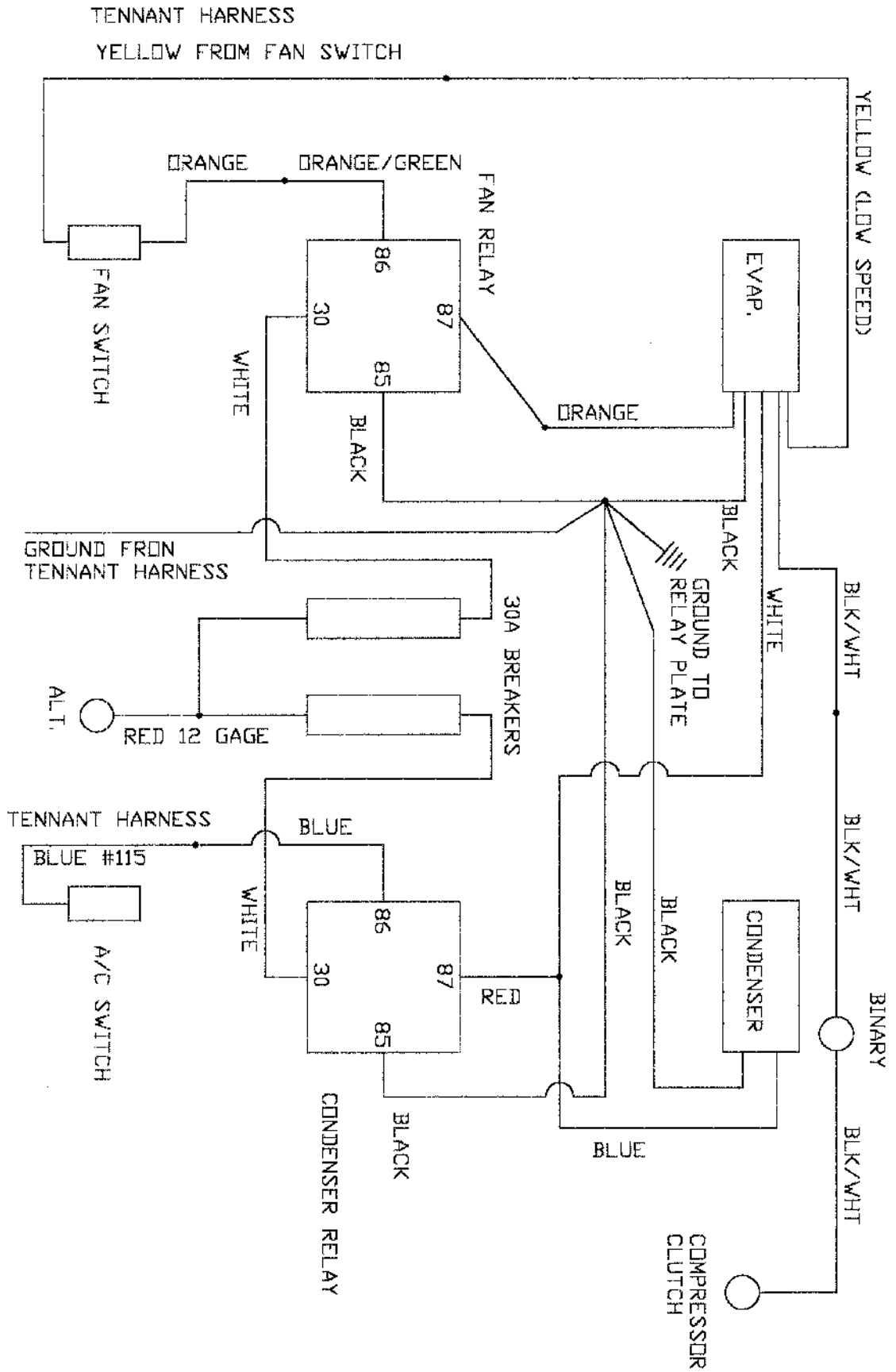
Fig. 25 - Air Conditioning Wire Harness Group



353538 - IC, NA, JP

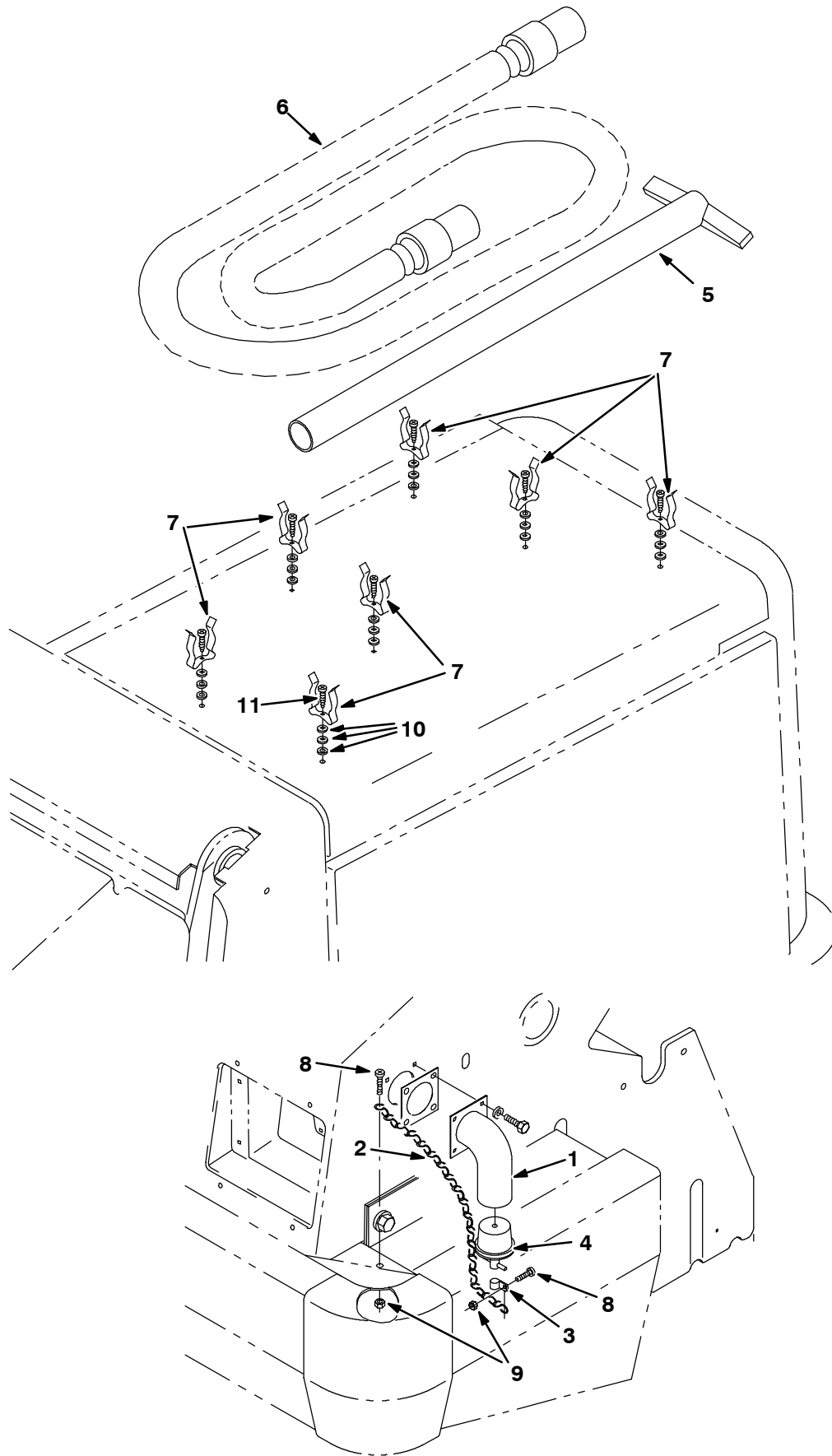
Ref.	Tenant Part No.	Machine Serial Number	Description	Qty.
1	393413	(000000- )	Harness, AC 6500/6550	1

Fig. 26 - Air Conditioning Electrical Schematic



IC, NA, JP

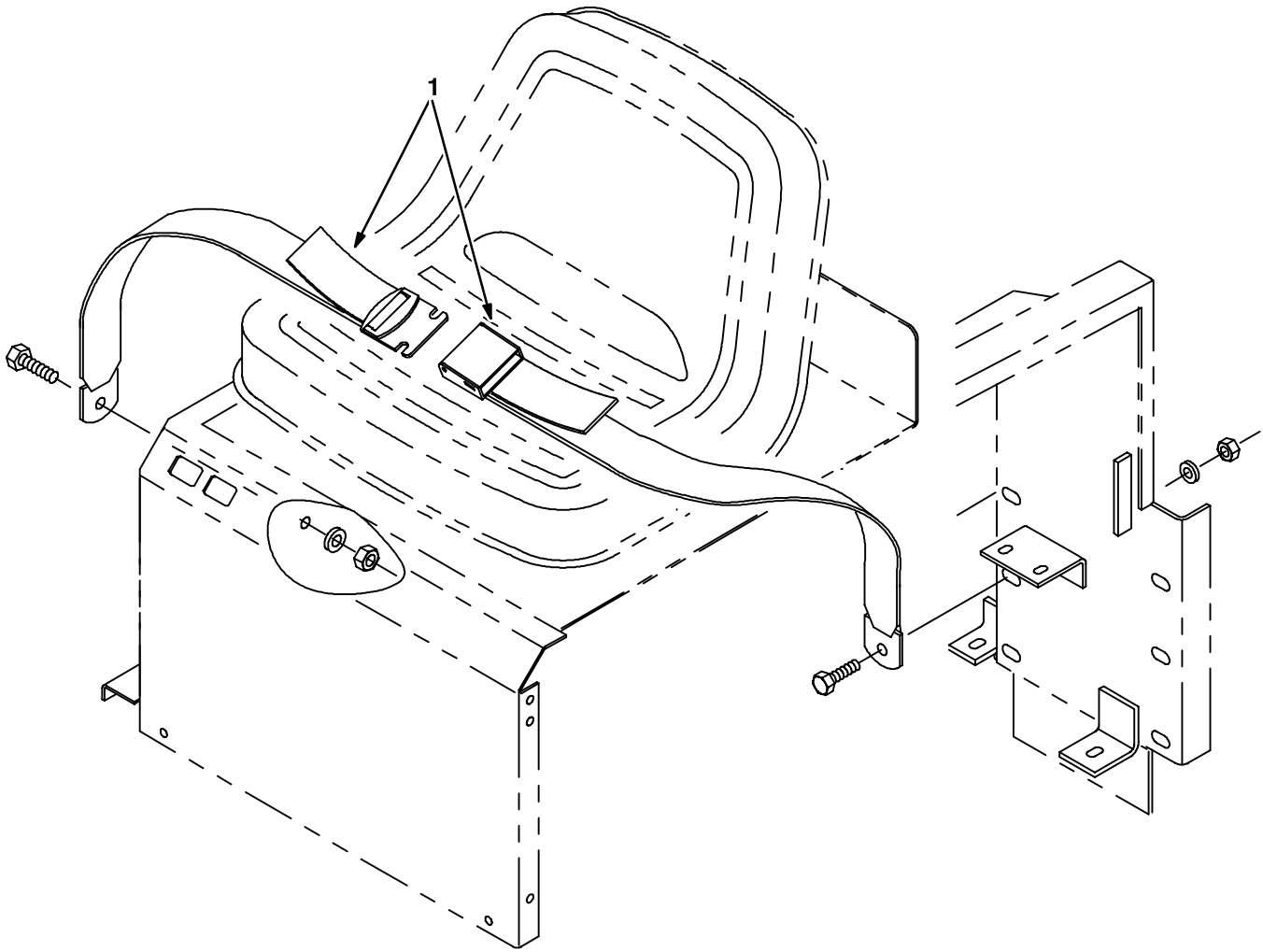
Fig. 27 - Vacuum Wand Kit



**Fig. 27 - Vacuum Wand Kit**

	<b>Ref.</b>	<b>Tennant Part No.</b>	<b>Machine Serial Number</b>	<b>Description</b>	<b>Qty.</b>
▽		59540	(000000-	) Wand Kit, Vac	1
▲	1	55964	(000000-	) Adaptor Wldt, Vac Wand	1
▲	2	375227	(000000-	) Chain,Jack#12, 09.0L 12Links	1
▲	3	26395-2	(000000-	) Clamp-Cable, 0.38Dia 0.38Wth	1
▲	4	42124	(000000-	) Plug, Drain	1
▲	5	54012	(000000-	) Wand Weldment	1
▲	6	54009	(000000-	) Hose&2Cuff Assy,Vinyl2.0ld10Ft	1
▲	7	67004	(000000-	) Clip-Finger Grip	7
▲	8	06927	(000000-	) Screw, Pan, M04x0.7x16, 4.8	2
▲	9	02850	(000000-	) Nut, Hex, Lock, M04x0.7, NI	2
▲	10	19066	(000000-	) Washer, Flt, #10	28
▲	11	71026	(000000-	) Screw, Hex, M04x0.7x20, Fmg	7

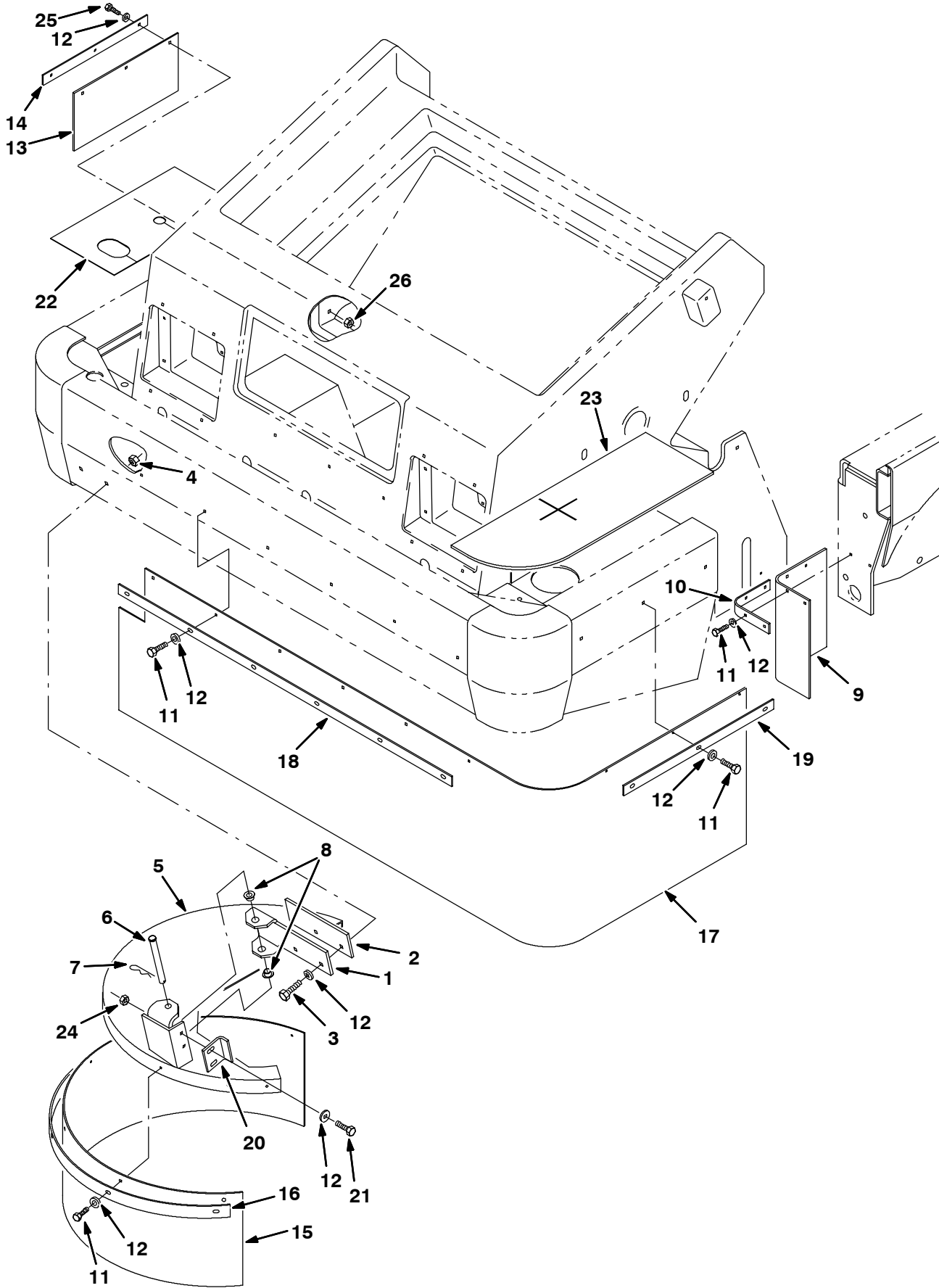
Fig. 28 - Seat Belt Kit



**Fig. 28 - Seat Belt Kit**

	<b>Ref.</b>	<b>Tennant Part No.</b>	<b>Machine Serial Number</b>	<b>Description</b>	<b>Qty.</b>
▽		59384	(000000-	) Seat Belt Kit 355L	1
▲	1	30533	(000000-	) Belt, Seat	1

Fig. 29 - Side Brush Dust Control Kit

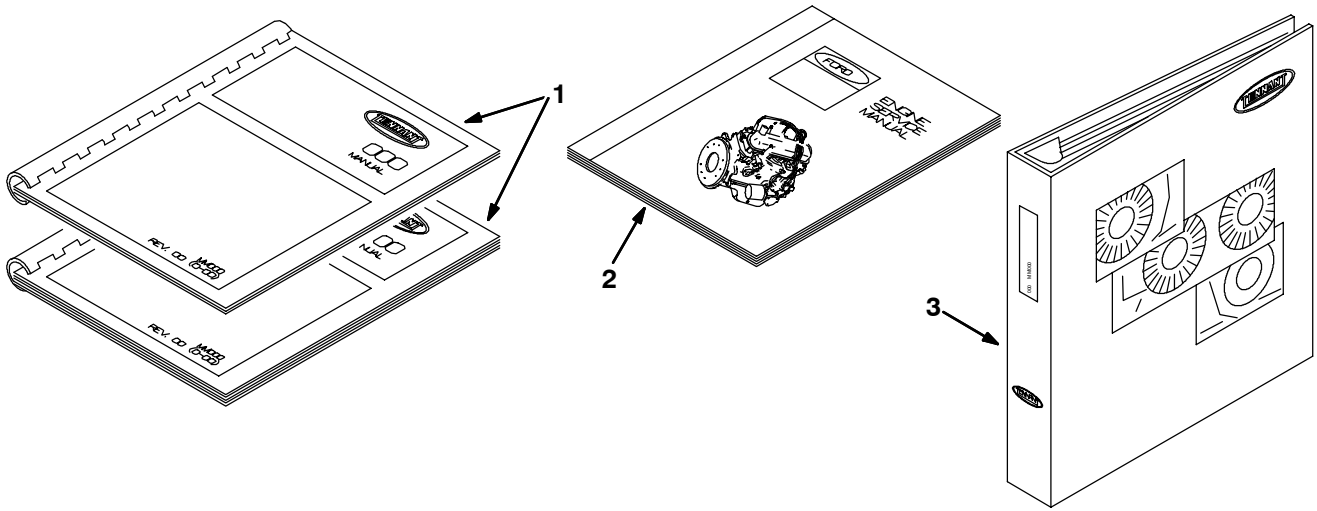




**Fig. 29 - Side Brush Dust Control Kit**

Ref.	Tennant Part No.	Machine Serial Number	Description	Qty.
▽	379874	(000000-	) Dust Control Kit, Sidebrush (Plastic)	1
▲	1 74383	(000000-	) Bracket	1
▲	2 379810	(000000-	) Plate, Spacer	2
▲	3 39284	(000000-	) Screw, Hex, M10	2
▲	4 07792	(000000-	) Nut, Hex, M10	2
▲	5 379797	(000000-	) Cover	1
▲	6 51538	(000000-	) Pin, Clevis	1
▲	7 44906	(000000-	) Pin, Hair Cotter	1
▲	8 23274	(000000-	) Bushing, Flange	2
▲	9 66176	(000000-	) Skirt	2
▲	10 66177	(000000-	) Plate, Retainer	2
▲	11 12459	(000000-	) Screw, Hex Forming, M6	21
▲	12 01684	(000000-	) Washer, Flat	29
▲	13 379800	(000000-	) Skirt	1
▲	14 379801	(000000-	) Plate, Retainer	1
▲	15 379804	(000000-	) Skirt	1
▲	16 379803	(000000-	) Plate, Retainer	1
▲	17 379805	(000000-	) Skirt	1
▲	18 74380	(000000-	) Plate	1
▲	19 74381	(000000-	) Plate, Retainer	1
▲	20 74382	(000000-	) Angle	1
▲	21 16931	(000000-	) Screw, Hex, M8	2
▲	22 379806	(000000-	) Insulation, Foam	1
▲	23 72087	(000000-	) Insulation, Foam	1
▲	24 07791	(000000-	) Nut, Hex, Flange, M8	2
▲	25 09007	(000000-	) Screw, Hex, M6	3
▲	26 08712	(000000-	) Nut, Hex, M6	3

**Fig. 30 - Documentation Group**



07501 - 6500, G, LP, JP

Ref.	Tenant Part No.	Machine Serial Number	Description	Qty.
1	330274	(000000- )	Manual Pkg 6500, JP	1
2	38978	(000000- )	Service Manual Vsg Fd	1
3	330275	(000000- )	Manual Service 6500/6550	1

## SECTION 4

Contents	Page
Fig. 1 - Hydraulic Piston Pump Breakdown, 79768 .....	4-2
Fig. 2 - Hydraulic Gear Pump Breakdown, 379605 .....	4-4
Fig. 3 - Hydraulic Gear Motor Breakdown, 374559 .....	4-5
Fig. 4 - Hydraulic Motor Breakdown, 379608	4-6
Fig. 5 - Hydraulic Motor Breakdown, 379607	4-7
Fig. 6 - Hydraulic Motor Breakdown, 53485 .	4-8
Fig. 7 - Hydraulic Steering Valve Breakdown, 74172 .....	4-9
Fig. 8 - Hydraulic Valve Breakdown, 374547 .....	4-10
Fig. 9 - Hydraulic Cylinder Breakdown, 74419 .....	4-12
Fig. 10 - Hydraulic Cylinder Breakdown, 53601 .....	4-13
Fig. 11 - Air Conditioning Condenser Breakdown, 393340 .....	4-14
Fig. 12 - Air Conditioning Evaporator / Heater Breakdown, 393339 .....	4-15
Fig. 13 - Heater Pressurizer Breakdown, 393381 .....	4-16
Fig. 14 - Pressurizer Breakdown, 393384 .	4-17

Fig. 1 - Hydraulic Piston Pump Breakdown, 79768

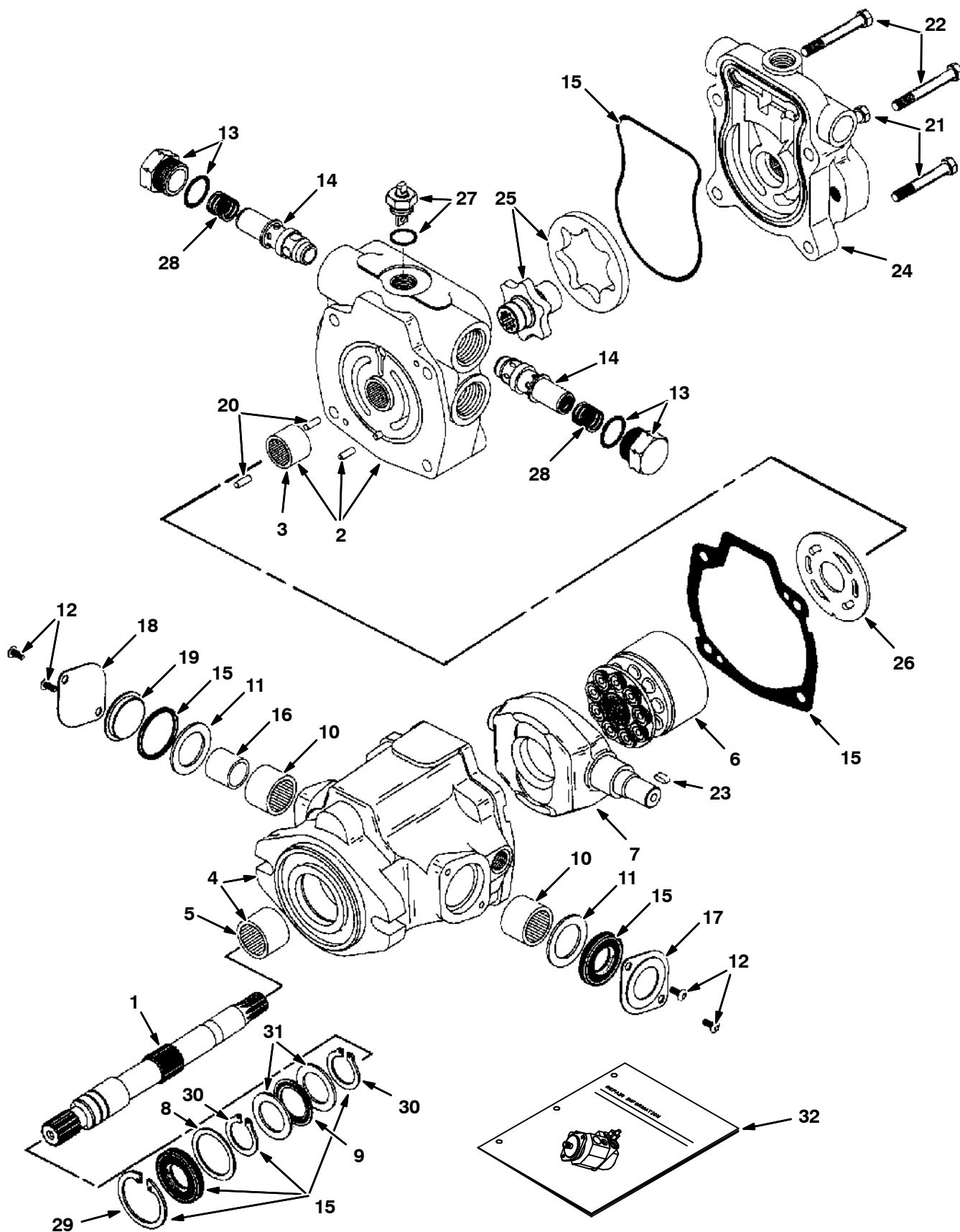
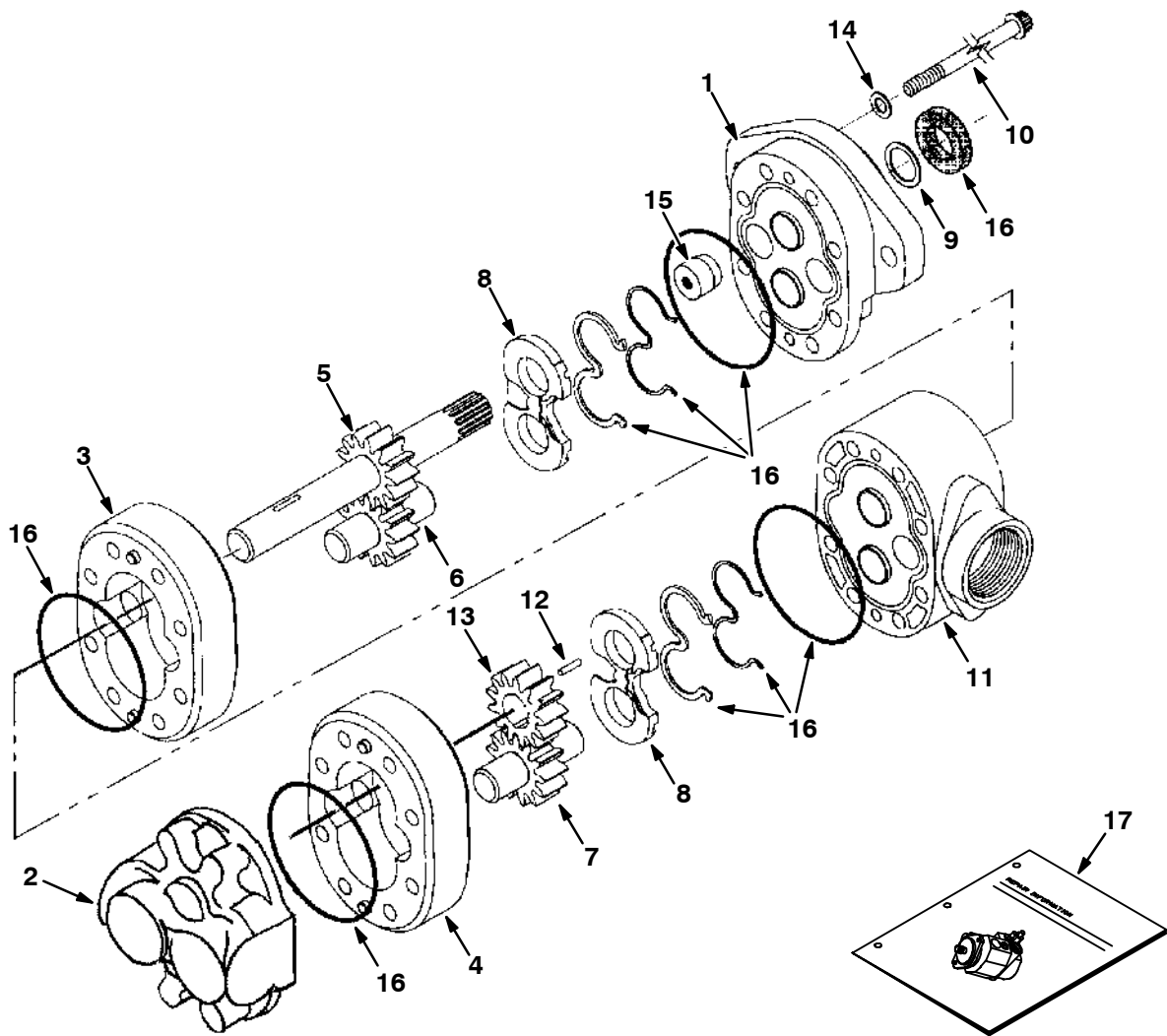


Fig. 1 - Hydraulic Piston Pump Breakdown, 79768

Ref.	Tennant Part No.	Manufacturer Serial Number	Description	Qty.
▽	79768	(000000-	) Pump, Hyd Piston V 1.24 R 2750	1
▲	1 55931	(000000-	) Pump Driveshaft	1
▲▽	2 70094	(000000-	) Backplate Assy Ce	1
▲▲	3 55937	(000000-	) Roller Bearing	1
▲▽	4 70095	(000000-	) Pump Housing Asy Ce	1
▲▲	5 55939	(000000-	) Roller Bearing	1
▲	6 02706	(000000-	) Rotating Kit	1
▲	7 57897	(000000-	) Camplate Ce	1
▲	8 70096	(000000-	) Washer Ce	1
▲	9 74225	(000000-	) Bearing, Thrust	1
▲	10 02709	(000000-	) Bearing Cam	2
▲	11 70097	(000000-	) Washer Ce	2
▲	12 61891	(000000-	) Screws	4
▲	13 74230	(000000-	) Plug Assembly	2
▲	14 02650	(000000-	) Valve-Relief 2750 PSI	2
▲	15 70103	(000000-	) Seal Kit, Pump Ce	1
▲	16 02705	(000000-	) Race, Inner Bearing	1
▲	17 52386	(000000-	) Cover	1
▲	18 70098	(000000-	) Cover, Trunion Ce	1
▲	19 70099	(000000-	) Cover, O-Ring Ce	1
▲	20 70100	(000000-	) Pin, Dowel Ce	2
▲	21 74235	(000000-	) Scr Hex .31-18X3.25	2
▲	22 70101	(000000-	) Screw, Cap	2
▲	23 74237	(000000-	) Key	1
▲	24 55930	(000000-	) Pump Adaptor Assy	1
▲	25 55932	(000000-	) Geroter & Coupler	1
▲	26 74180	(000000-	) Plate, Valve Ce	1
▲	27 74469	(000000-	) Valve, Dump	1
▲	28 74229	(000000-	) Spring	2
▲	29 55926	(000000-	) Retaining Ring	1
▲	30 55925	(000000-	) Retaining Ring	2
▲	31 74226	(000000-	) Race, Bearing	2
	32 74248	(000000-	) Repair Info	1

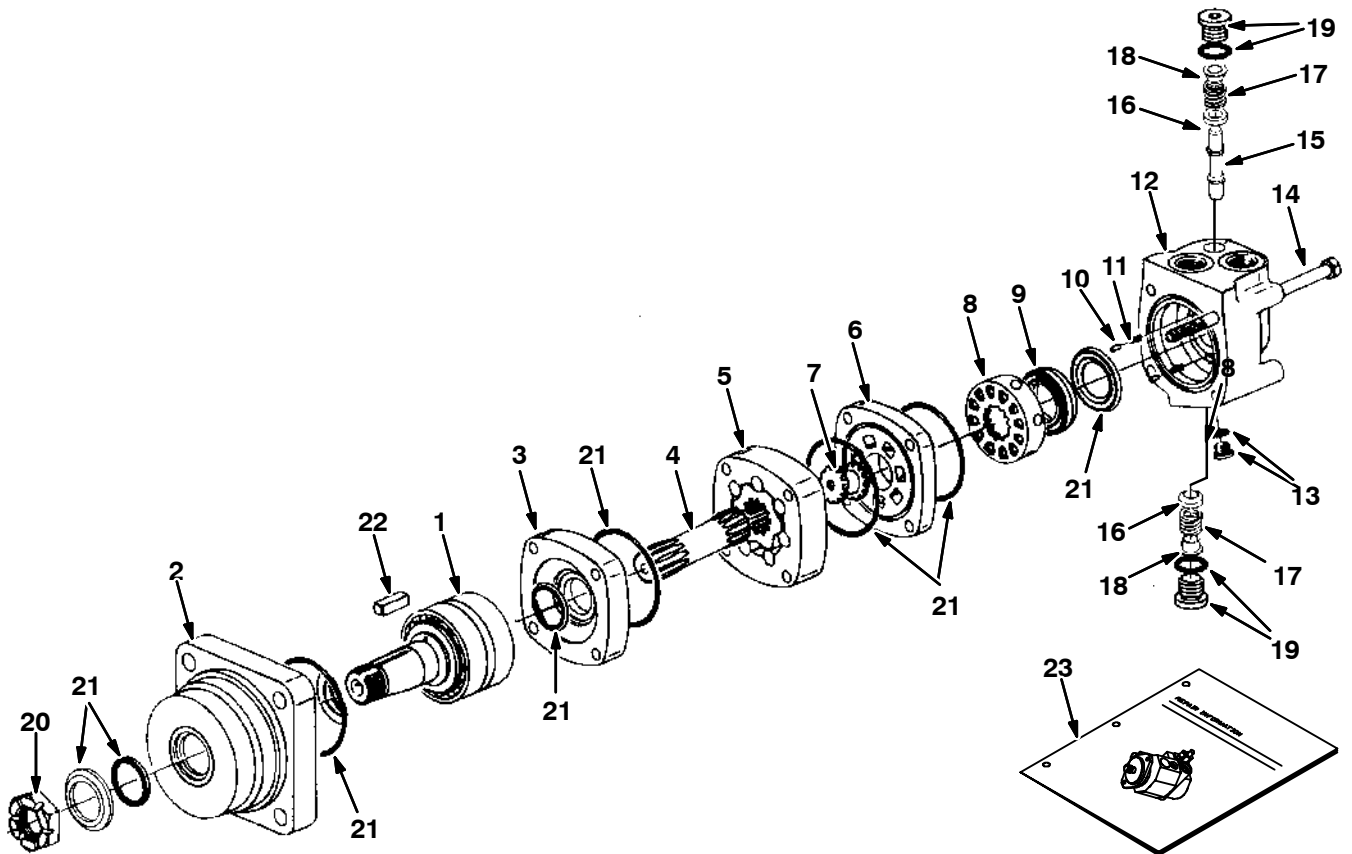
**Fig. 2 - Hydraulic Gear Pump Breakdown, 379605**



07487 - 6500

Ref.	Tennant Part No.	Manufacturer Serial Number	Description	Qty.	
▽	379605	(000000-	) Pump, Gear	1	
▲	1	373201	(000000-	) FrontPlate Assy	1
▲	2	373267	(000000-	) Backplate	1
▲	3	373232	(000000-	) Body	1
▲	4	373285	(000000-	) Body	1
▲	5	373289	(000000-	) Gear, Drive	1
▲	6	373211	(000000-	) Gear, idler	1
▲	7	373286	(000000-	) Gear, Idler	1
▲	8	373227	(000000-	) Plate, Wear	1
▲	9	373234	(000000-	) Washer	1
▲	10	373290	(000000-	) Screw, Cap	8
▲	11	373235	(000000-	) Adapter, Plate	1
▲	12	373287	(000000-	) Key	1
▲	13	373288	(000000-	) Gear	4
▲	14	373243	(000000-	) Washer	1
▲	15	373244	(000000-	) Plug	1
▲	16	373229	(000000-	) Seal Kit	1
▲	17	373207	(000000-	) Repair Info.	1

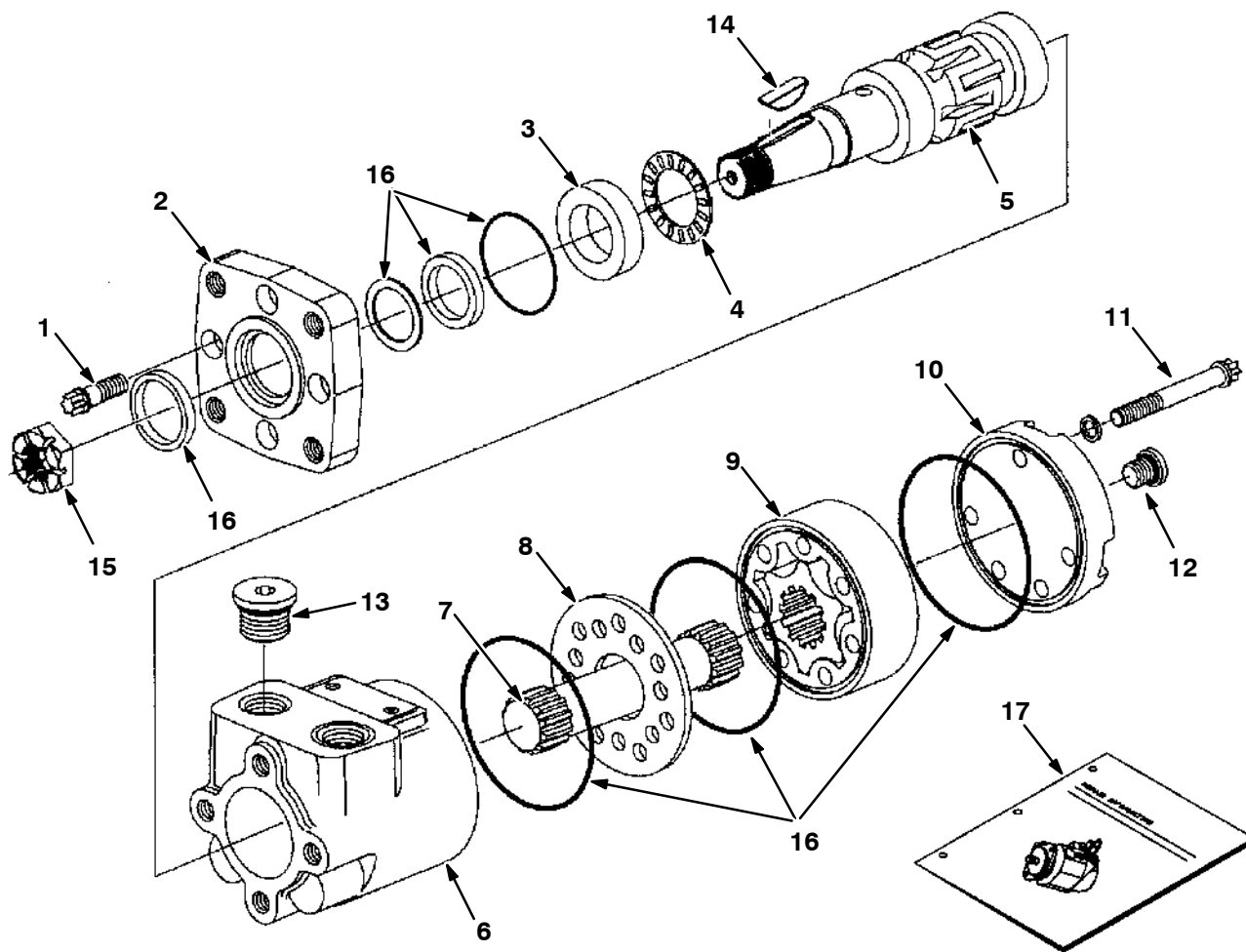
**Fig. 3 - Hydraulic Gear Motor Breakdown, 374559**



350298 - 09670 - 6500

Ref.	Tennant Part No.	Manufacturer Serial Number	Description	Qty.	
▽	374559	(000000-	) Motor, Hyd Gear In	1	
▲	1	21951	(000000-	) Shaft/Brg Kit	1
▲	2	21952	(000000-	) Housing, Brg	1
▲	3	51417	(000000-	) Plate	1
▲	4	02603	(000000-	) Drive	1
▲	5	02645	(000000-	) Geroler	1
▲	6	02646	(000000-	) Valve Plate	1
▲	7	57370	(000000-	) Valve Drive	1
▲	8	02647	(000000-	) Valve	1
▲	9	57373	(000000-	) Balance Ring	1
▲	10	57374	(000000-	) Pin	2
▲	11	57375	(000000-	) Spring	2
▲	12	373292	(000000-	) Housing, Valve	1
▲	13	74098	(000000-	) Plug #4	1
▲	14	74120	(000000-	) Bolt	4
▲	15	373217	(000000-	) Piston	1
▲	16	373226	(000000-	) Poppet	2
▲	17	373291	(000000-	) Spring	2
▲	18	373236	(000000-	) Dashpot	2
▲	19	373260	(000000-	) Plug	2
▲	20	38490	(000000-	) Nut	1
▲	21	21953	(000000-	) Seal Kit	1
▲	22	38315	(000000-	) Key	1
▲	23	79729	(000000-	) Repair Info.	1

**Fig. 4 - Hydraulic Motor Breakdown, 379608**

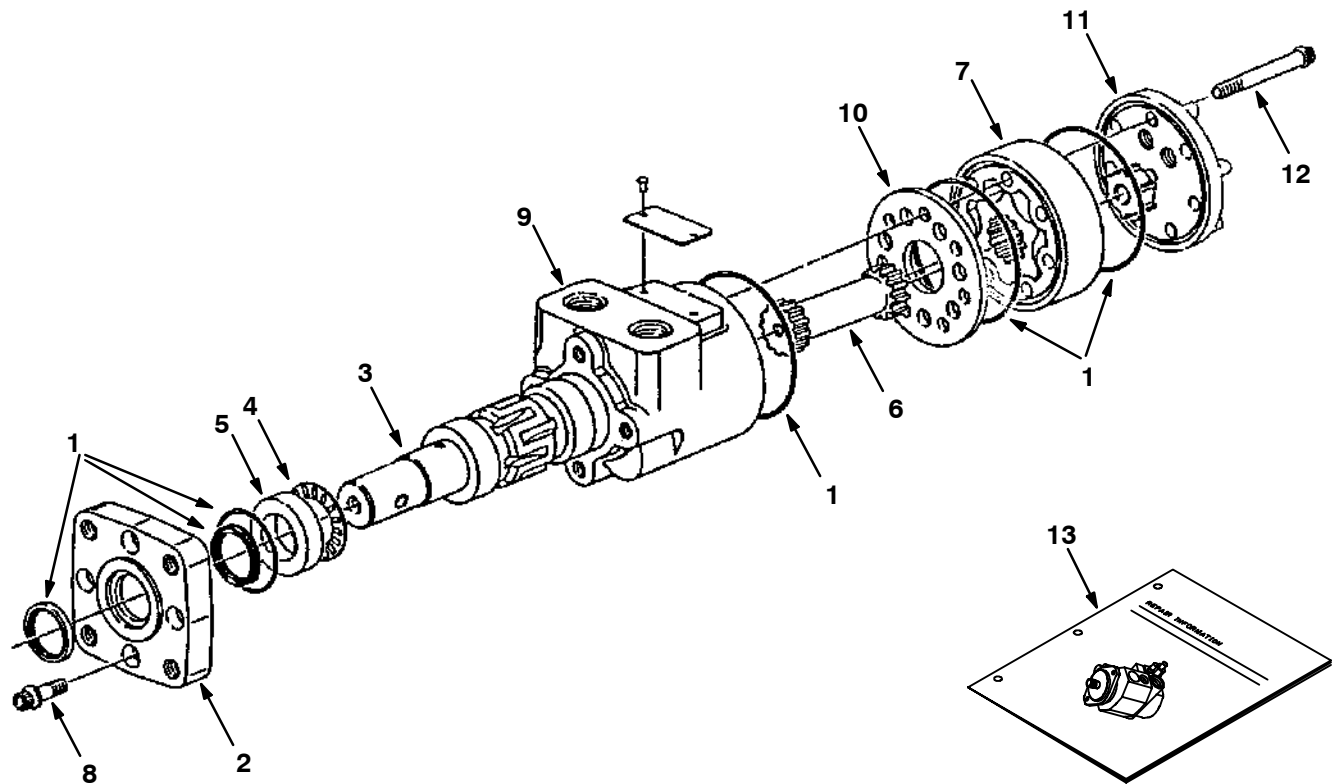


09606 - 09670 - ALL

Ref.	Tennant Part No.	Manufacturer Serial Number	Description	Qty.
▽	379608	(000000-	) Motor, Hyd Gear	1
▲	1	37555 (000000-	) Cap, Screw	4
▲	2	31354 (000000-	) Flange Mounting	1
▲	3	16695 (000000-	) Race Thrust	1
▲	4	45628 (000000-	) Thrust Bearing	1
▲	5	31375 (000000-	) Shaft, Output	1
▲	6	74100 (000000-	) Housing Cl	1
▲	7	34176 (000000-	) Drive	1
▲	8	74094 (000000-	) Spacer Plate Cl	1
▲	9	31381 (000000-	) Gerotor Set	1
▲	10	74095 (000000-	) Spacer Plate Cl	1
▲	11	74174 (000000-	) Cap, Screw Cl	5
▲	12	74098 (000000-	) Plug Assembly Ph	1
▲	13	74099 (000000-	) Plug Assembly Ph	2
▲	14	00500-15 (000000-	) Key-Wdruff 0.25 1.00 Asa#0808	1
▲	15	39527 (000000-	) Nut-Hxslot .75-16 Pltd	1
▲	16	<del>61490</del> 22654 -	) Seal Repair Kit	1
▲	17	<del>22654</del> 74250 -	) Repair Info. Cl	1



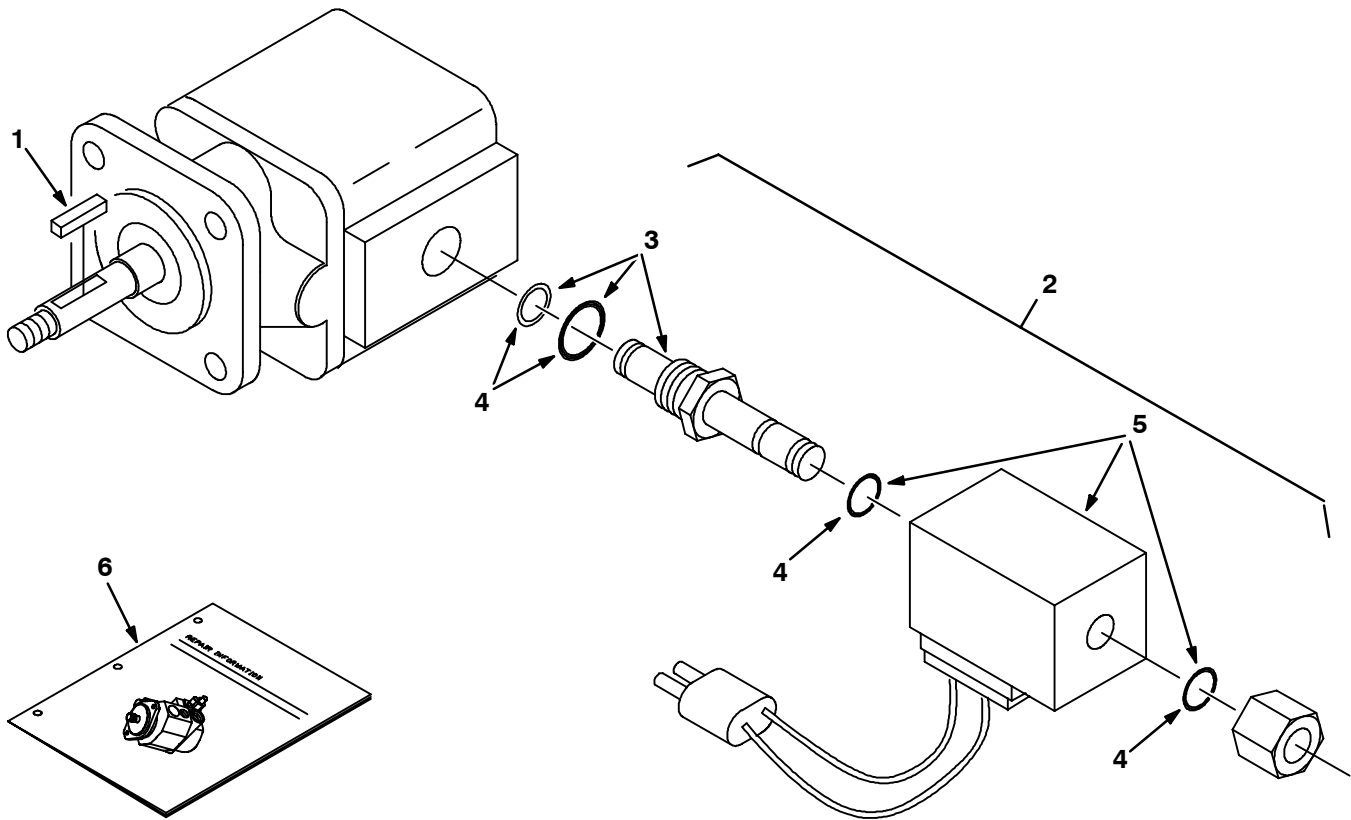
Fig. 5 - Hydraulic Motor Breakdown, 379607



08926 - 09670 - ALL

Ref.	Tennant Part No.	Manufacturer Serial Number	Description	Qty.	
▽	379607	(000000-	) Motor, Hydraulic	1	
▲	1	22654	(000000-	) Seal Kit	1
▲	2	31354	(000000-	) Flange, Mounting	1
▲	3	31373	(000000-	) Output Shaft	1
▲	4	45628	(000000-	) Bearing Thrust	1
▲	5	16695	(000000-	) Race, Thrust	1
▲	6	31380	(000000-	) Drive	1
▲	7	31385	(000000-	) Gerotor Set	1
▲	8	37555	(000000-	) Screw	4
▲	9	74100	(000000-	) Housing	1
▲	10	74094	(000000-	) Spacer Plate	1
▲	11	74101	(000000-	) End Cap	1
▲	12	65232	(000000-	) Screw, Cap	5
	13	74250	(000000-	) Repair Info.	1

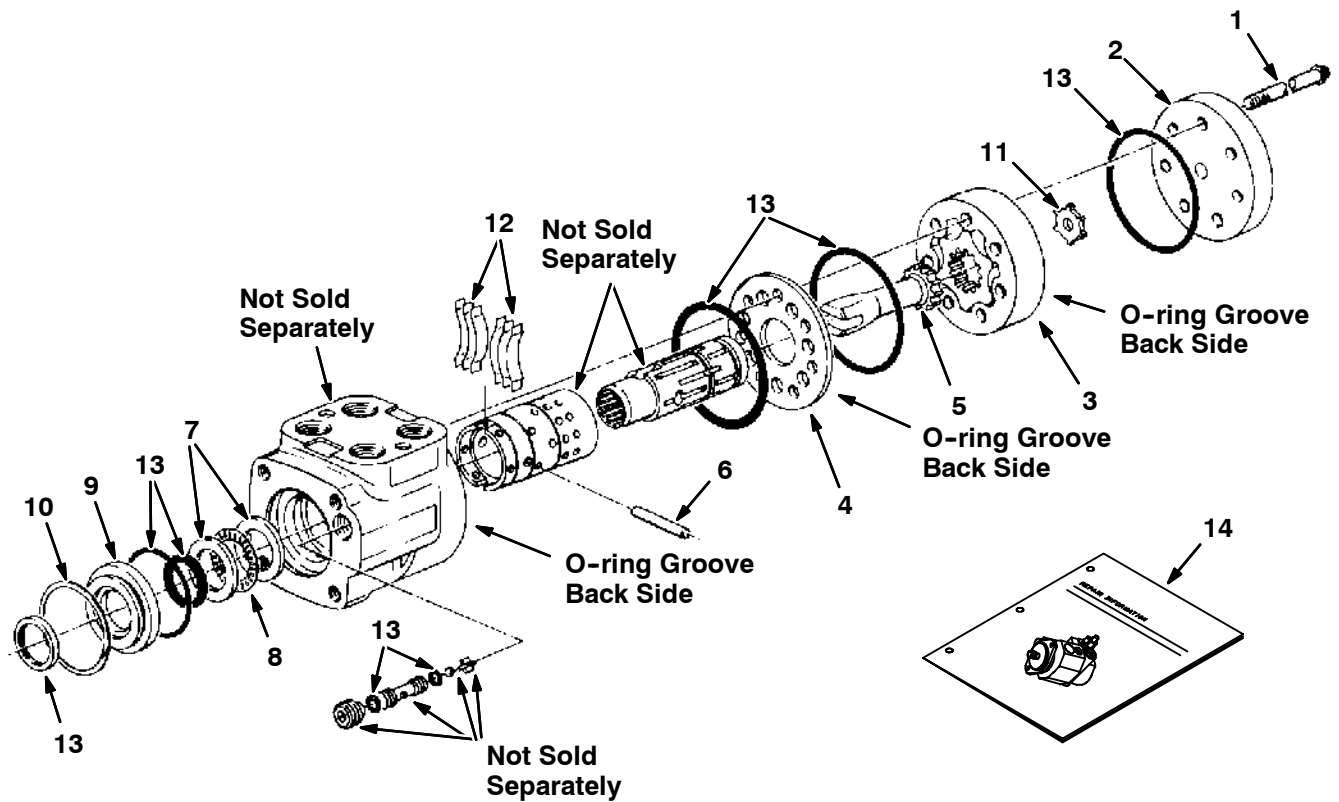
**Fig. 6 - Hydraulic Motor Breakdown, 53485**



07490 - 09670 - IC

Ref.	Tennant Part No.	Manufacturer Serial Number	Description	Qty.
▽	53485	(000000-	) Motor, Hydraulic	1
▲	74233	(000000-	) Seal Kit, Motor	1
▲	1 00966	(000000-	) Key	1
▲▽	2 54095	(000000-	) Valve Assembly, Solenoid	1
▲▲	3 59378	(000000-	) Cartridge, Solenoid Valve	1
▲▲	4 48813	(000000-	) Seal Kit, One Cartridge	1
▲▲	5 35493	(000000-	) Coil	1
	6 IB3614	(000000-	) Repair Info.	1

**Fig. 7 - Hydraulic Steering Valve Breakdown, 74172**



09936 - 09670 - IC

Ref.	Tennant Part No.	Manufacturer Serial Number	Description	Qty.
▽	74172	(000000-	) Valve, Hydraulic Steering	1
▲	1 65241	(000000-	) Cap, Screw	7
▲	2 74181	(000000-	) Cap, End	1
▲	3 57156	(000000-	) Gerotor Set	1
▲	4 74182	(000000-	) Plate, Wear	1
▲	5 58596	(000000-	) Drive	1
▲	6 74218	(000000-	) Pin	1
▲	7 74109	(000000-	) Race, Bearing	2
▲	8 74110	(000000-	) Bearing, Needle	1
▲	9 74112	(000000-	) Retainer, Front	1
▲	10 74111	(000000-	) Ring, Retaining	1
▲	11 74105	(000000-	) Spacer	1
▲	12 74195	(000000-	) Spring Kit	1
▲	13 74190	(000000-	) Seal Kit	1
▲	14 74251	(000000-	) Repair Info	1

**Fig. 8 - Hydraulic Valve Breakdown, 374547**

CONTROL VALVE	
Spool #1	Brushes
Spool #2	Hopper Door
Spool #3	Hopper Lift

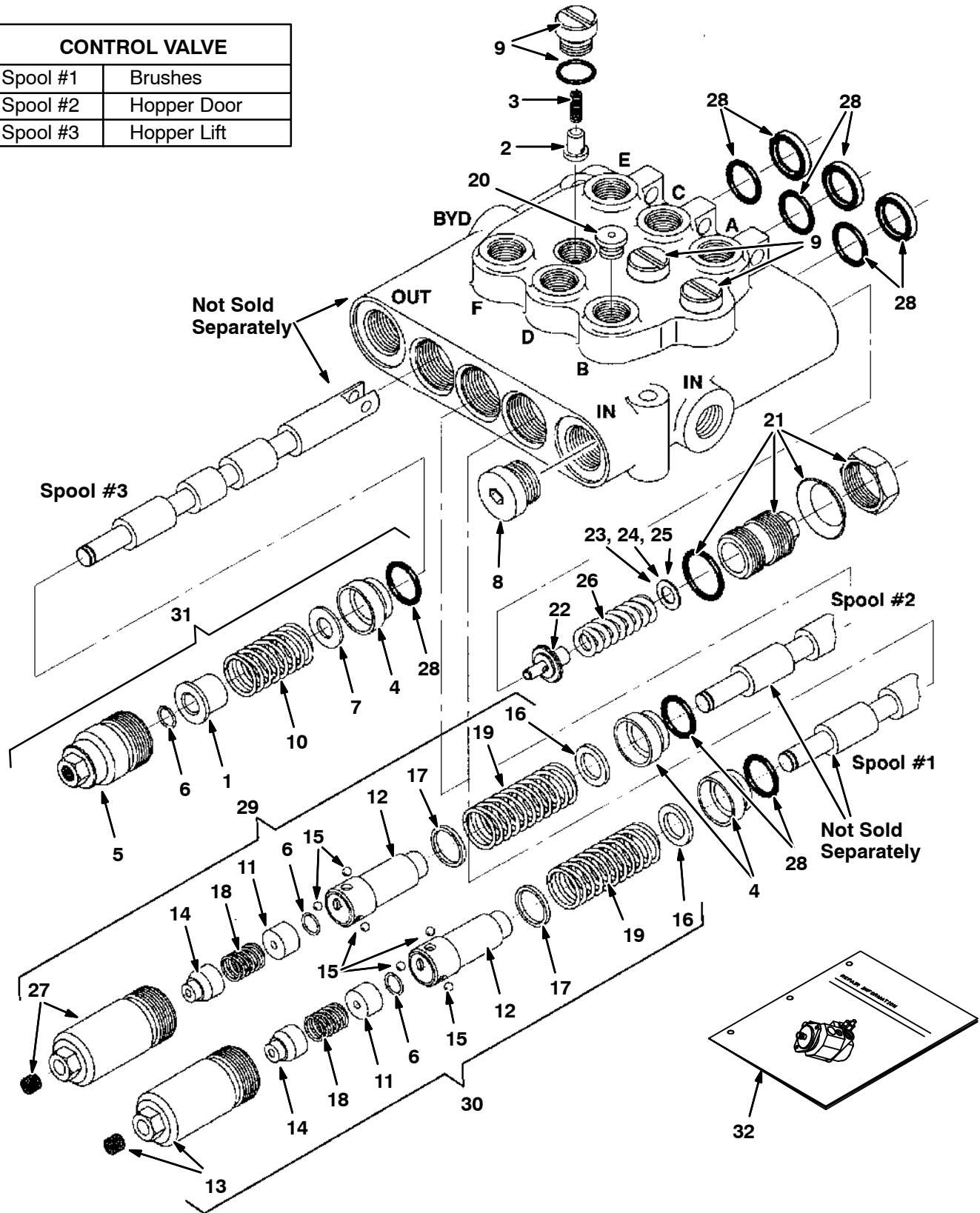
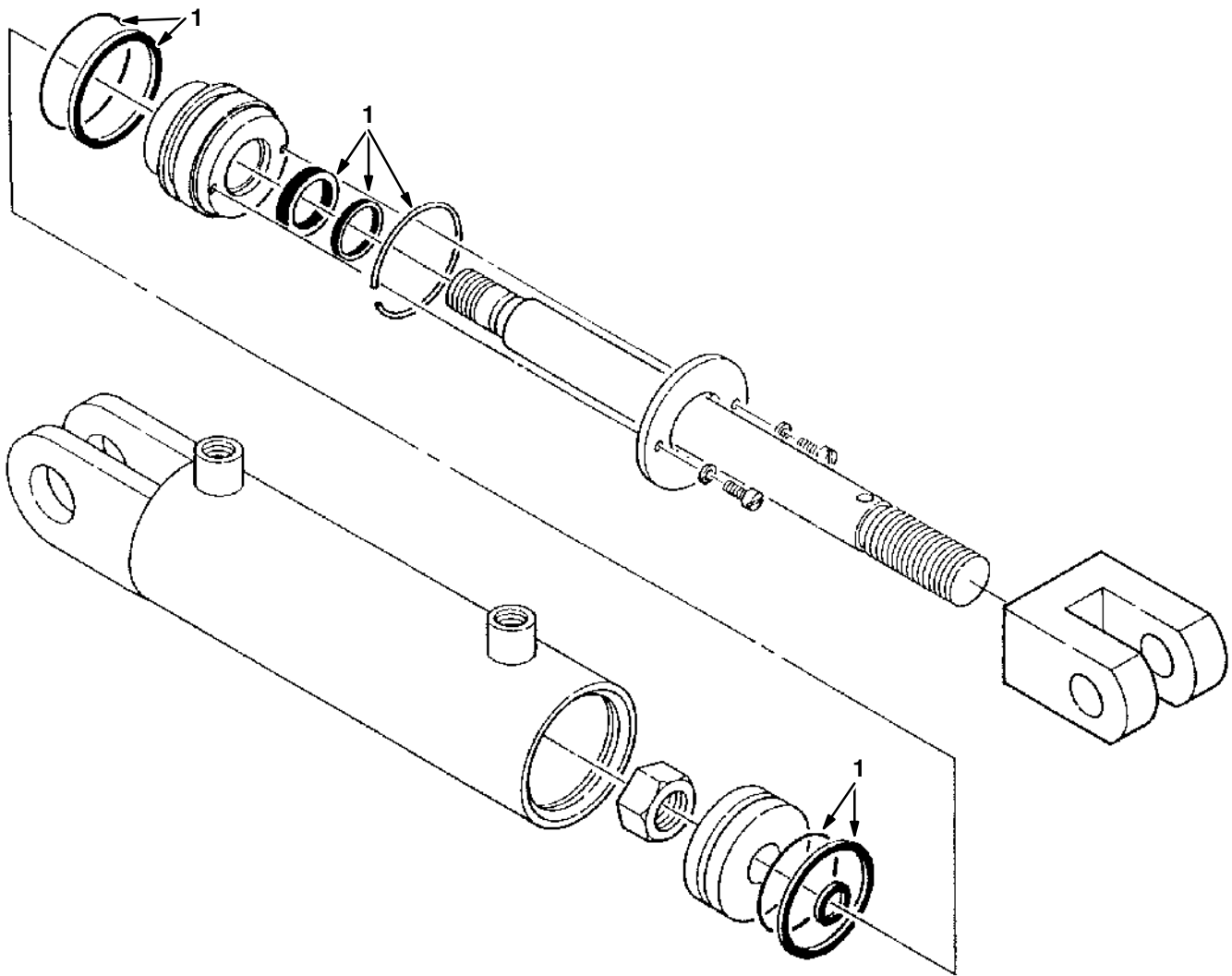


Fig. 8 - Hydraulic Valve Breakdown, 374547

	Ref.	Tennant Part No.	Manufacturer Serial Number	Description	Qty.
▽		374547	(000000-	) Valve, Hyd Cntrl Man	1
▲	1	79785	(000000-	) Spacer	1
▲	2	79786	(000000-	) Plunger	1
▲	3	79787	(000000-	) Spring	1
▲	4	79788	(000000-	) Bushing	3
▲	5	79789	(000000-	) Cap Assembly	1
▲	6	79792	(000000-	) Retaining Rng	3
▲	7	79794	(000000-	) Washer	1
▲	8	13907	(000000-	) Plug, #8 O-Ring	1
▲	9	79795	(000000-	) Plug & O-Ring	3
▲	10	79796	(000000-	) Spring	1
▲	11	79801	(000000-	) Spacer	2
▲	12	79802	(000000-	) Detent Adaptr	2
▲	13	79803	(000000-	) Cap Assembly	1
▲	14	79800	(000000-	) Cone	2
▲	15	79804	(000000-	) Ball	6
▲	16	79806	(000000-	) Washer	2
▲	17	79805	(000000-	) Washer	2
▲	18	79807	(000000-	) Spring	2
▲	19	79808	(000000-	) Spring	2
▲	20	13904	(000000-	) Plug, #6 O-Ring	2
▲	21	79790	(000000-	) Plug Assembly	1
▲	22	79791	(000000-	) Poppet	1
▲	23	79793	(000000-	) Shim .035 Thk	-
▲	24	79798	(000000-	) Shim .015 Thk	-
▲	25	79799	(000000-	) Shim .010 Thk	-
▲	26	21915	(000000-	) Spring	1
▲	27	79821	(000000-	) Cap Assembly	1
▲	28	79812	(000000-	) Seal Kit, Vlv	1
▲	29	79813	(000000-	) Kit, Detent Out	1
▲	30	79815	(000000-	) Kit, Detent I&O	1
▲	31	79814	(000000-	) Kit, Detent In	1
	32	79820	(000000-	) Repair Info, Valve	1

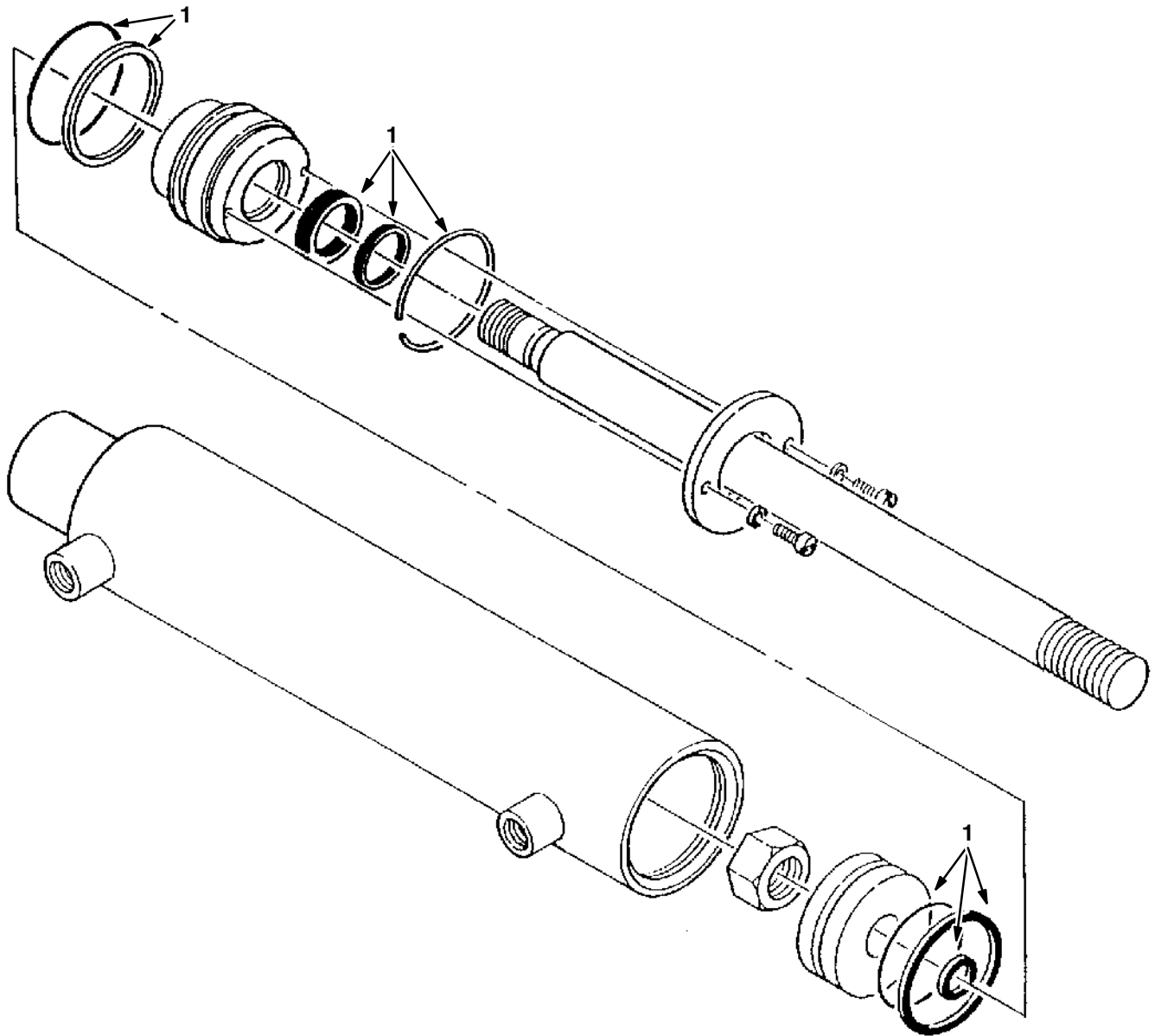
**Fig. 9 - Hydraulic Cylinder Breakdown, 74419**



07493 - ALL

	<b>Ref.</b>	<b>Tennant Part No.</b>	<b>Manufacturer Serial Number</b>	<b>Description</b>	<b>Qty.</b>
▽		74419	(000000-	) Cylinder, Hydraulic	1
▲	1	59335	(000000-	) Seal Kit	1

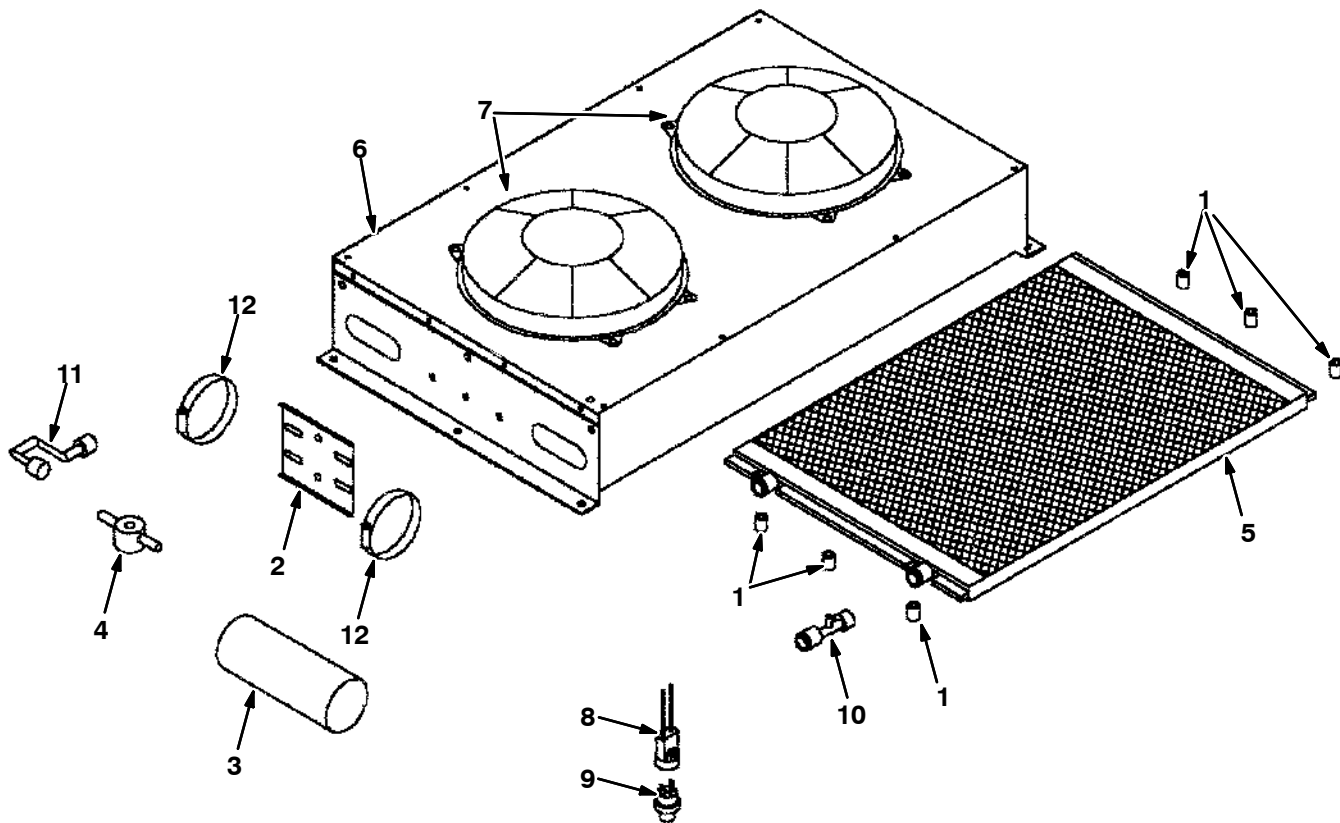
**Fig. 10 - Hydraulic Cylinder Breakdown, 53601**



07494 - IC

	<b>Ref.</b>	<b>Tennant Part No.</b>	<b>Manufacturer Serial Number</b>	<b>Description</b>	<b>Qty.</b>
▽		53601	(000000-	) Cylinder, Hydraulic	1
▲	1	04483	(000000-	) Seal Kit	1

**Fig. 11 - Air Conditioning Condenser Breakdown, 393340**

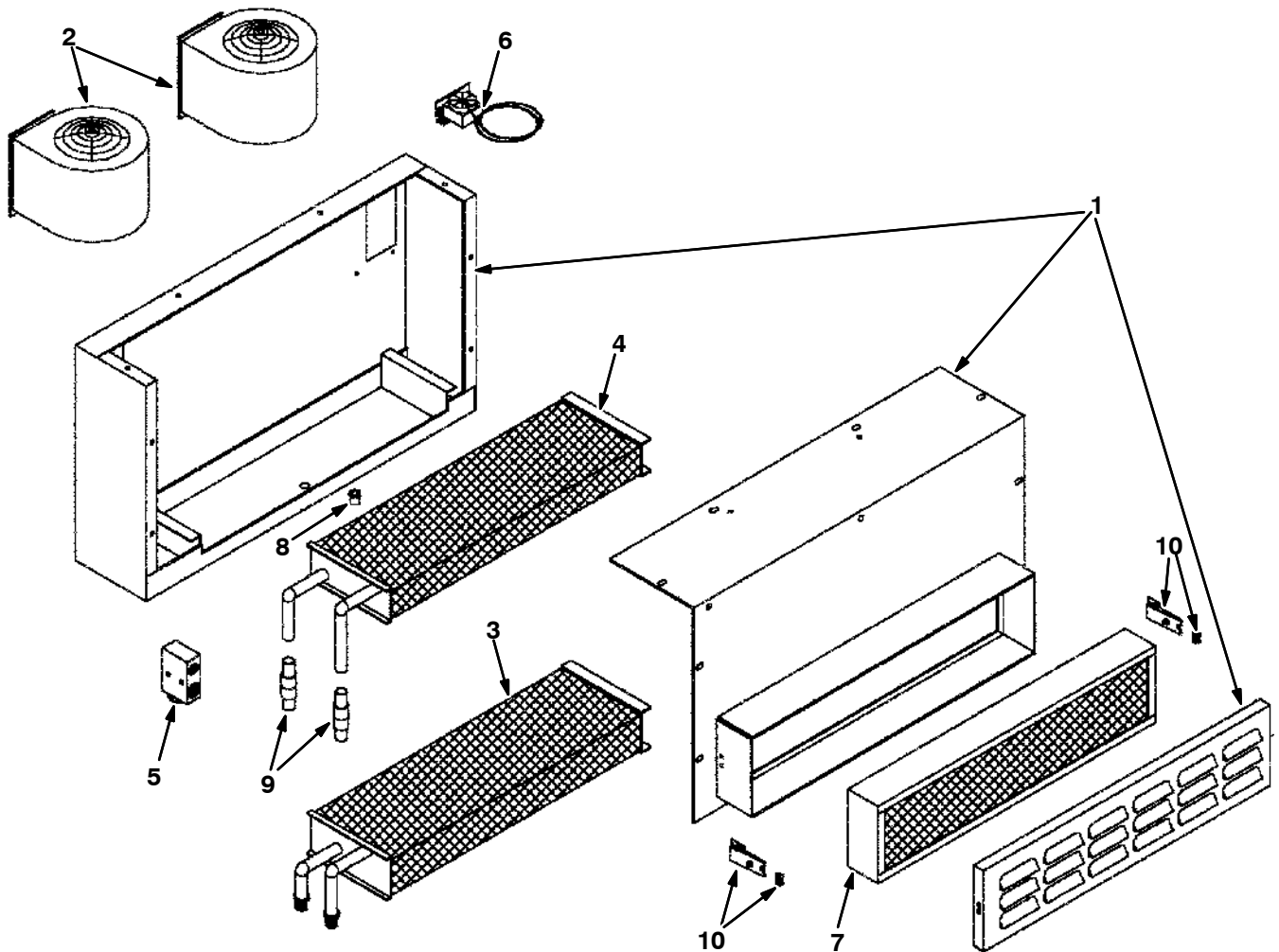


IC

Ref.	Tennant Part No.	Manufacturer Serial Number	Description	Qty.	
▽	393340	(000000-	) Housing Assy, Pkg, Condenser/Fan	1	
▲	1	393341	(000000-	) Spacer, Steel	6
▲	2	393342	(000000-	) Bracket, Drier	1
▲	3	393343	(000000-	) Drier	1
▲	4	393344	(000000-	) Glass, Sight	1
▲	5	393345	(000000-	) Coil, Condenser	1
▲	6	393346	(000000-	) Housing, Condenser/Fan	1
▲	7	393347	(000000-	) Fan, 12volt	2
▲	8	393348	(000000-	) Boot, Binary	1
▲	9	393349	(000000-	) Switch, Binary	1
▲	10	393350	(000000-	) Fitting, Schrader	1
▲	11	393351	(000000-	) Fitting, Condenser, Left	1
▲	12	83584	(000000-	) Clamp, Hose, Wormdrive, 1.31-3.25d	2



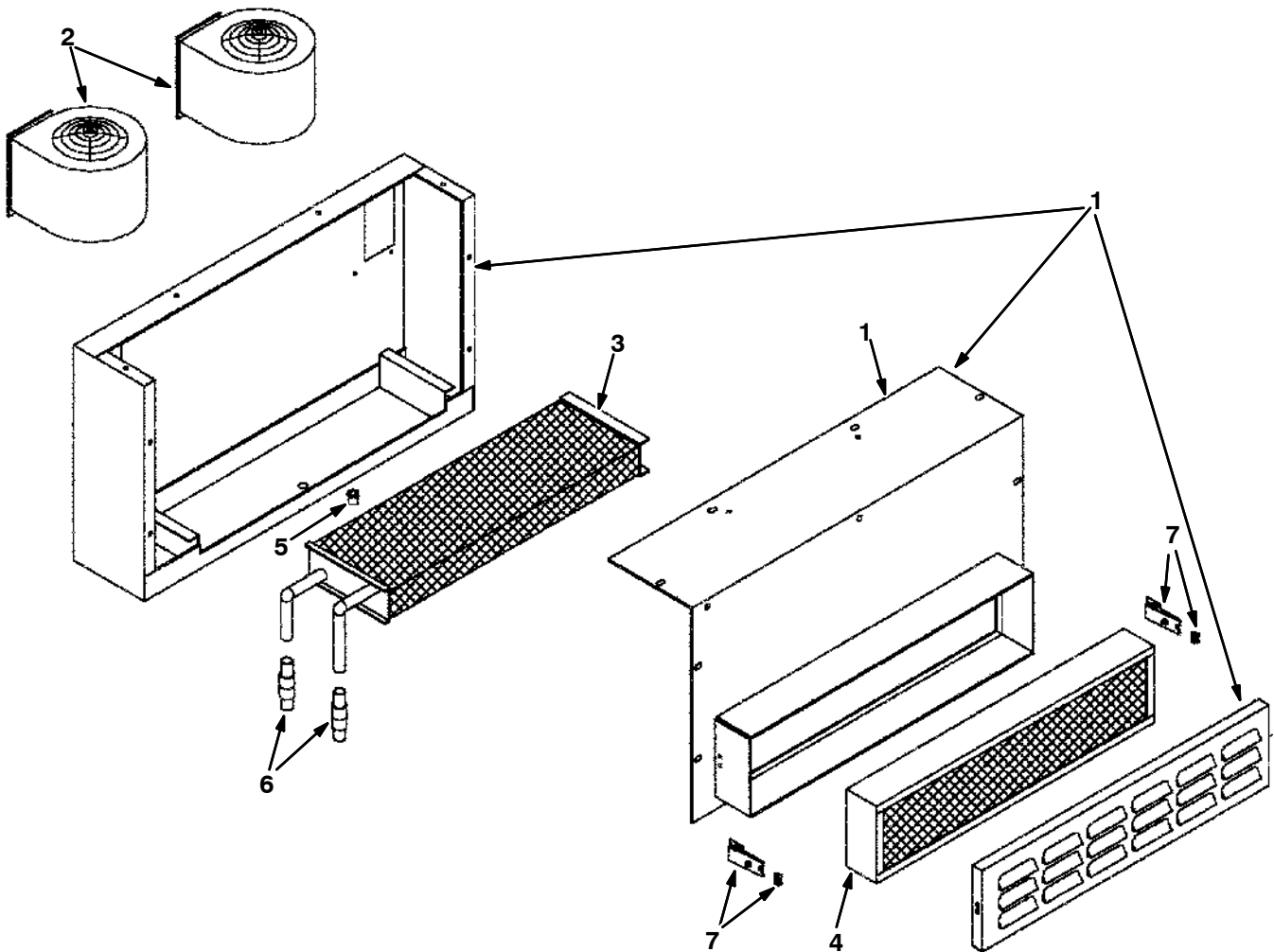
Fig. 12 - Air Conditioning Evaporator / Heater Breakdown, 393339



IC

Ref.	Tennant Part No.	Manufacturer Serial Number	Description	Qty.
▽	393339	(000000-	) Housing Assy Pkg, Evaporator/Heater	1
▲	1 393329	(000000-	) Housing Wldt, Coil/Blower	1
▲	2 393330	(000000-	) Blower, 12volt	2
▲	3 393331	(000000-	) Coil, Evaporator	1
▲	4 393332	(000000-	) Coil, Heater	1
▲	5 393333	(000000-	) Block, Expansion	1
▲	6 393334	(000000-	) Thermostat	1
▲	7 393335	(000000-	) Filter, Air	1
▲	8 393336	(000000-	) Valve, Drain	1
▲	9 393337	(000000-	) Adapter, Tube	2
▲	10 393338	(000000-	) Latch, Ss	2

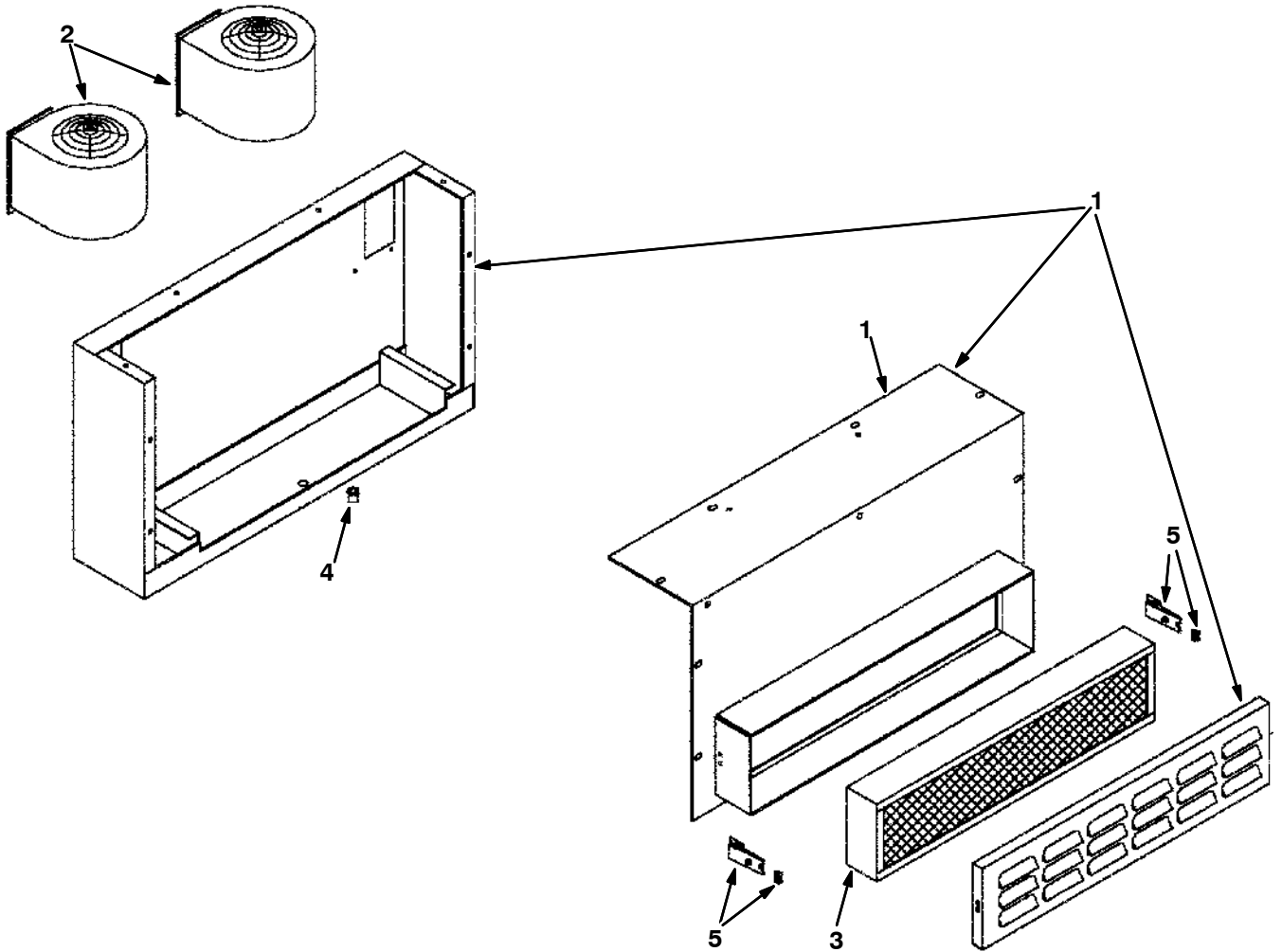
**Fig. 13 - Heater Pressurizer Breakdown, 393381**



IC

Ref.	Tennant Part No.	Manufacturer Serial Number	Description	Qty.
▽	393381	(000000-	) Housing Assy, Pkg, Heater	1
▲	1 393329	(000000-	) Housing Wldt, Coil/Blower	1
▲	2 393330	(000000-	) Blower, 12volt	2
▲	3 393332	(000000-	) Coil, Heater	1
▲	4 393335	(000000-	) Filter, Air	1
▲	5 393336	(000000-	) Valve, Drain	1
▲	6 393337	(000000-	) Adapter, Tube	2
▲	7 393338	(000000-	) Latch, Ss	2

Fig. 14 - Pressurizer Breakdown, 393384



IC

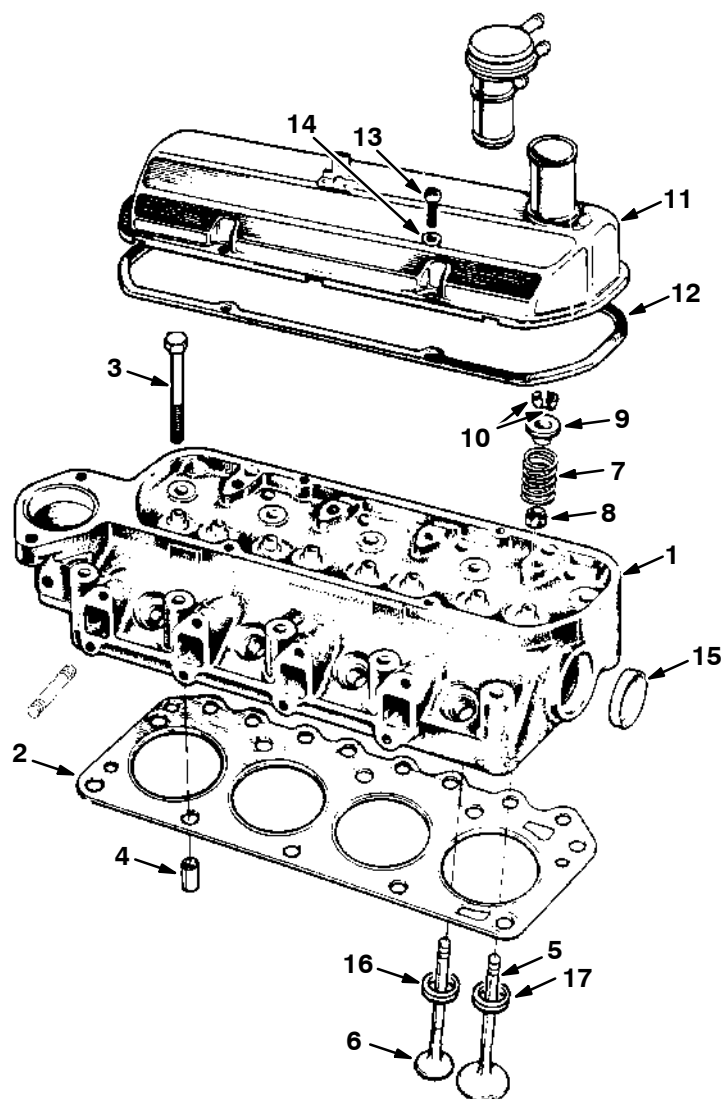
Ref.	Tennant Part No.	Manufacturer Serial Number	Description	Qty.
▽	393384	(000000-	) Housing Assy Pkg, Pressurizer	1
▲	1 393329	(000000-	) Housing W/dt, Coil/Blower	1
▲	2 393330	(000000-	) Blower, 12volt	2
▲	3 393335	(000000-	) Filter, Air	1
▲	4 393336	(000000-	) Valve, Drain	1
▲	5 393338	(000000-	) Latch, Ss	1



# SECTION 5

<b>Contents</b>	<b>Page</b>
Fig. 1 - Cylinder Head, Valves Group .....	5-2
Fig. 2 - Cylinder Block Group .....	5-3
Fig. 3 - Camshaft and Valve Control Group .....	5-4
Fig. 4 - Crankshaft and Piston Group .....	5-6
Fig. 5 - Oil Pump and Oil Pan Group .....	5-8
Fig. 6 - Manifold Group .....	5-10
Fig. 7 - Front Cover Assembly Group .....	5-11
Fig. 8 - Water Pump Group .....	5-12
Fig. 9 - Gaskets Group .....	5-13
Fig. 10 - Distributorless Ignition Group .....	5-14
Fig. 11 - Flywheel Group .....	5-16

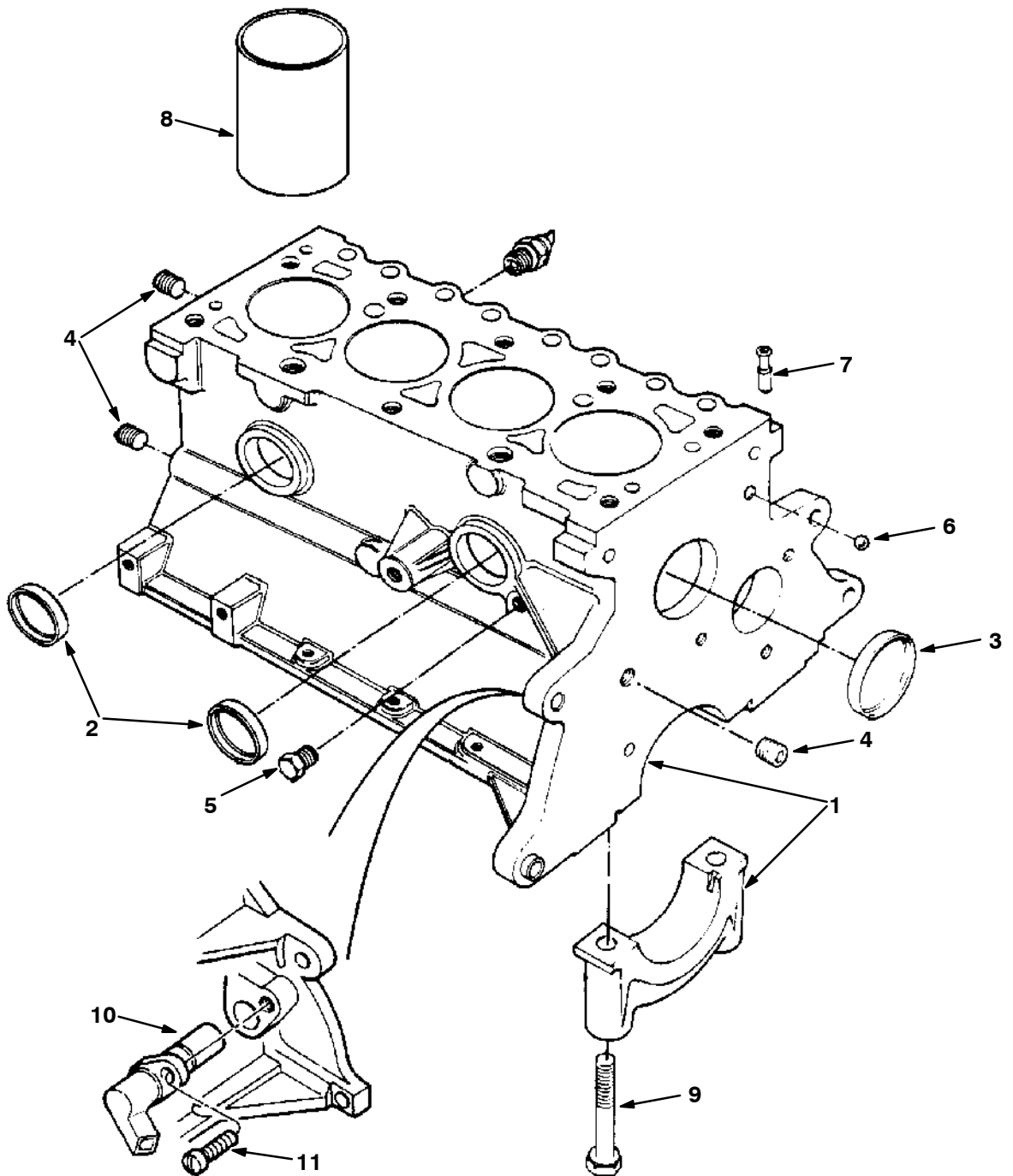
Fig. 1 - Cylinder Head, Valves Group



04702 - G, LP

Ref.	Tennant Part No.	Ford Part Number	Description	Qty.
1	36279	89BM-6049-DD	Head Assembly, Cylinder	1
2	36281	89BM-6051-C2B	Gasket, Cylinder Head	1
3	36297	89BM-6065-DA	Bolt, Cylinder Head	10
4	36298	E840126-S	Dowel, Cylinder Head to Block	2
5	36300	89BM-6507-BA	Valve, Intake, Std	-
6	36307	89BM-6505-CA	Valve, Exhaust, Std	4
7	36315	89BM-6513-AA	Spring, Valve	8
8	61538	88WM-6571-BB	Seal, Valve Stem	8
9	36318	89BM-6A536-AA	Retainer	8
10	36319	88WM-6518-AA	Lock, Valve Spring	16
11	36321	89BM-6582-AA	Cover, Rocker Arm	1
12	07705	77BM-6584-CA	Gasket, Rocker Arm Cover	1
13	36324	E800516-S72	Screw, Rocker Cover to Head	4
14	36325	E630024-S201	Washer, Flat, 6 mm	4
15	37313	DORY-6026-A	Plug	1
16	36330	89BM-6057-A2E	Insert, Exhaust Valve Seat	4
17	36331	89BM-6056-A1G	Insert, Intake Valve Seat	4

Fig. 2 - Cylinder Block Group



05496 - G, LP

Ref.	Tennant Part No.	Ford Part Number	Description	Qty.
▽ 1	36264	89BM-6011-DA	Block, Cylinder, With Crank, Piston, Rings, etc.	1
▲	36263	89BM-6010-FA	Block, Cylinder	1
2	37313	DORY-6026-A	Plug	2
3	36267	D8RZ-6026-A	Plug	1
4	36268	F1ZZ-6026-A	Plug, 1/4 NPT	3
5	36272	353055-S7	Plug, 1/4 NPT	1
6	36273	E890100-S	Plug, Ball, Oil Gallery	1
7	36274	D8RZ-6767-A	Adapter	1
8	36275	89BM-6055-BA	Liner, Cylinder	-
9	36276	D1FZ-6345-A	Bolt, Main Bearing Cap	10
10	374632	F5RZ-6C315-A	Sensor, 45 degree	1
11	36278	E802666-S72	Screw, M6 x 14	1

Fig. 3 - Camshaft and Valve Control Group

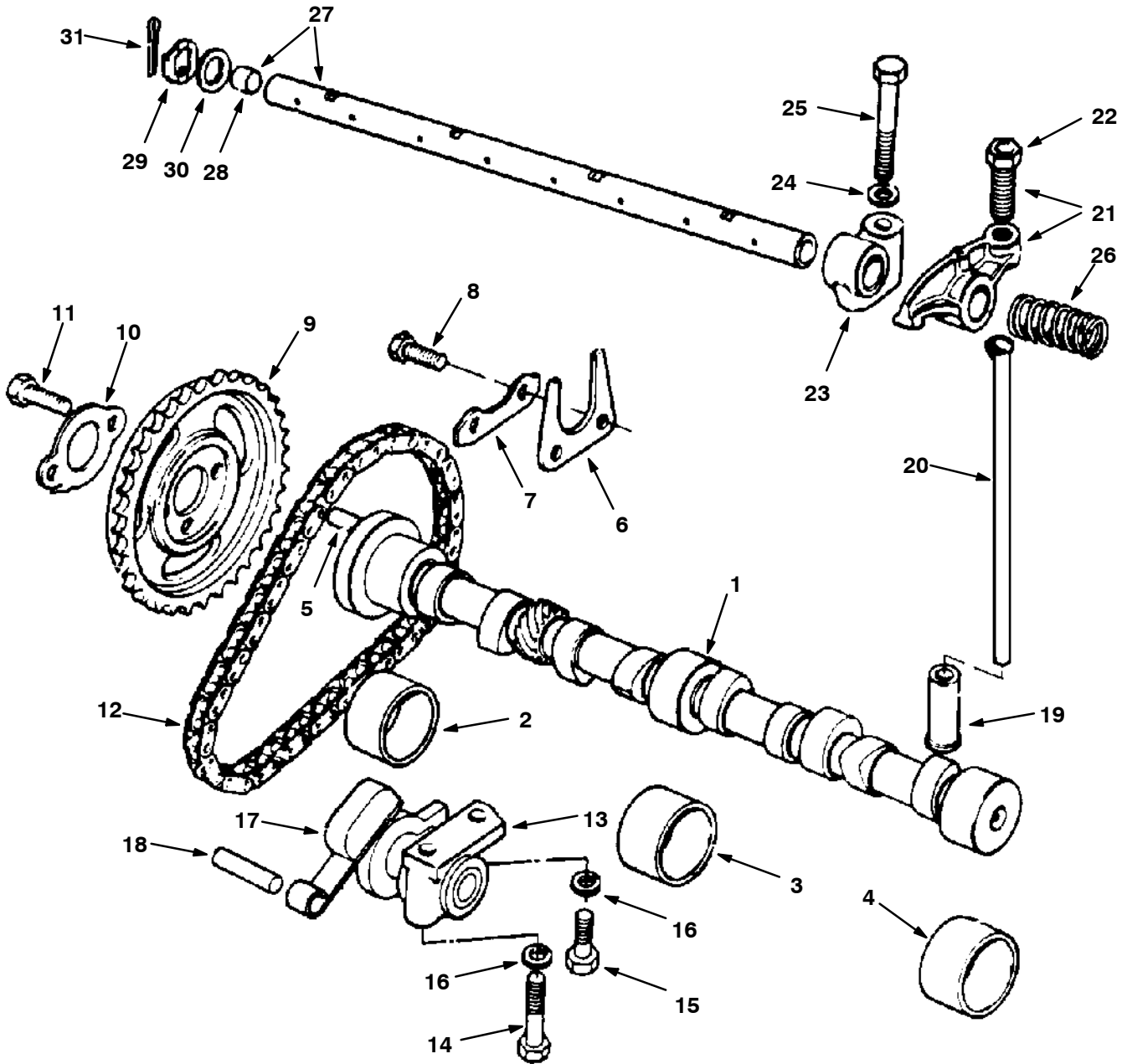




Fig. 3 - Camshaft and Valve Control Group

Ref.	Tennant Part No.	Ford Part Number	Description	Qty.	
1	36340	89BM-6251-BA	Camshaft	1	
2	37316	DORY-6261-A	Bearing, Std ID - Std OD	-	
2	37317	DORY-6261-B	Bearing, Std ID + 0.020 OD	-	
3	37306	DORY-6262-C	Bearing, Std ID - Std OD	-	
3	38242	DORY-6262-B	Bearing, Std ID + 0.020 OD	-	
4	37306	DORY-6262-C	Bearing, Std ID - Std OD	-	
4	38242	DORY-6262-B	Bearing, Std ID + 0.020 OD	-	
5	61540	E93A-6253-A	Dowel	1	
6	36342	DORY-6269-A	Plate, Thrust	1	
7	36343	DORY-6255-A	Retainer	1	
8	36344	N602166-S2	Bolt, M6 x 16, Tensioner to Block	2	
9	36345	77BM-6256-AA	Sprocket, Camshaft	1	
10	36348	DORY-6258-A	Retainer	1	
11	36349	E602351-S72	Bolt, M8 x 16	2	
12	37307	DORY-6268-A	Chain	1	
13	37337	D1FZ-6284-A	Tensioner	1	
14	36372	E600116-S204	Bolt, M6 x 55, Tensioner to Block	1	
15	36344	EN2166-S72	Bolt, M6 x 16, Tensioner to Block	1	
16	36373	34805-S8	Washer, 1/4 Lock	2	
17	36374	77BM-6K255-AC	Arm, Tensioner	1	
18	37694	E43-CPI	Pin	1	
19	36375	89BM-6500-AA	Tappet, Std	8	
20	36381	89BM-6565-AA	Rod, Valve Push	8	
21	36382	89BM-6529-AB	Arm, Valve Rocker, Right, With Screw	4	
▽	21	36383	89BM-6K528-AB	Arm, Valve Rocker, Left, With Screw	4
▲	22	37693	DORY-6549-B	Screw	8
	23	36384	77BM-6531-BB	Support, Rocker Arm Shaft	4
	24	36389	E630031-S101	Washer, B10 x 20 x 2.5	4
	25	36390	E800509-S72	Bolt, Rocker Support	4
	26	36402	DORY-6587-A	Spring, Locating	3
▽	27	36405	88BM-6A557-AA	Shaft Assembly, Rocker Arm	1
▲	28	36406	357966-S	Plug, Rocker Arm Shaft, 11 mm	2
	29	36407	77BM-6598-AB	Washer, Spring	2
	30	36408	DORY-6590-A	Washer, Flat	2
	31	36409	72025-S7	Pin, Cotter, 2.3 mm	2

Fig. 4 - Crankshaft and Piston Group

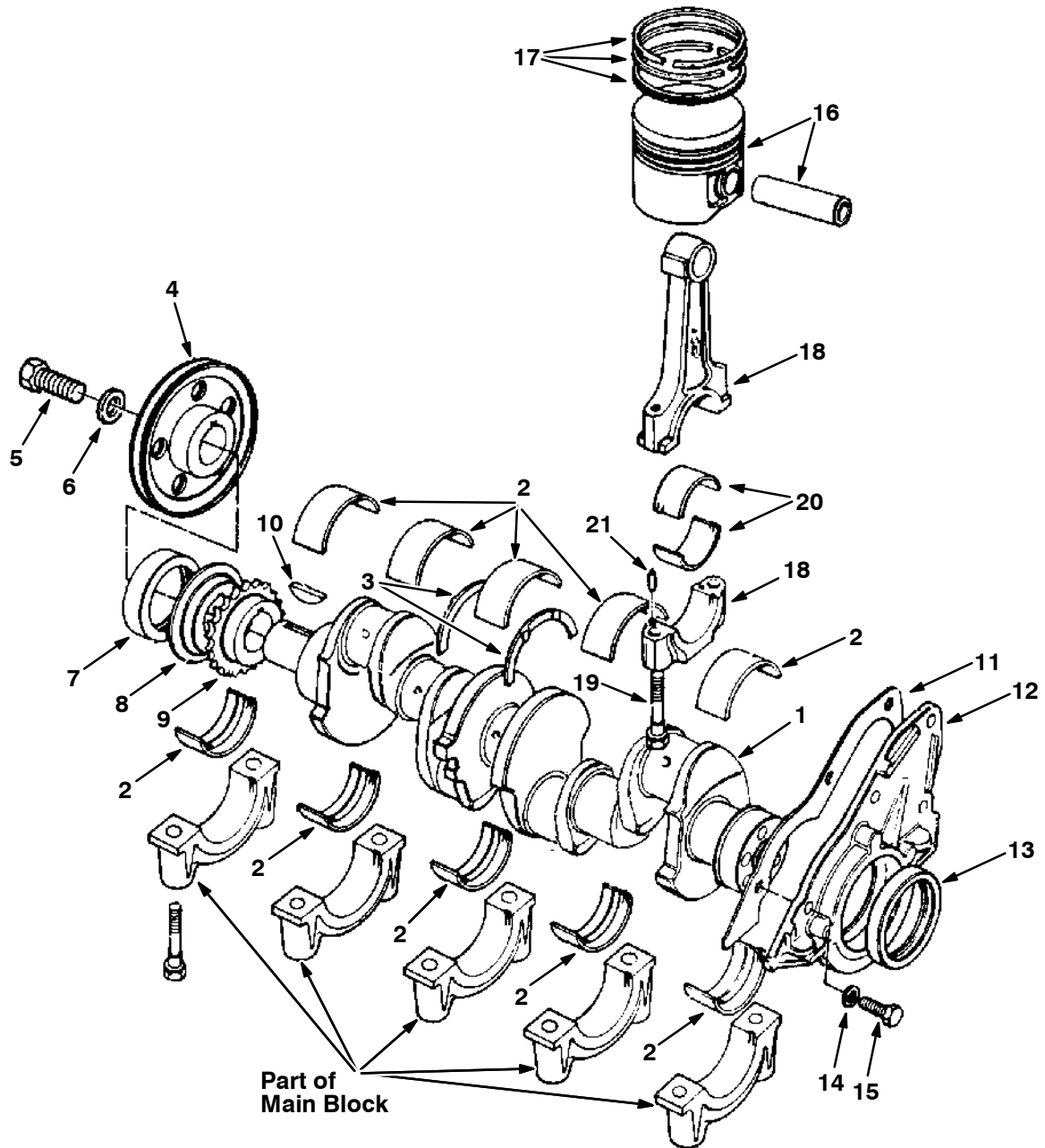


Fig. 4 - Crankshaft and Piston Group

Ref.	Tennant Part No.	Ford Part Number	Description	Qty.
1	36322	89BM-6303-DA	Crankshaft Assembly	1
2	36410	89BM-6333-AA	Main Bearing, Crankshaft, Upper Std OD, Std ID	-
2	36411	89BM-6333-BA	Main Bearing, Crankshaft, Upper Std OD, 0.005 US ID	-
2	36412	89BM-6333-CA	Main Bearing, Crankshaft, Upper Std OD, 0.010 US ID	-
2	36413	89BM-6333-DA	Main Bearing, Crankshaft, Upper 0.015OS OD, Std ID	-
2	36414	89BM-6333-EA	Main Bearing, Crankshaft, UpperStd OD, 0.020 US ID	-
2	36415	89BM-6333-FA	Main Bearing, Crankshaft, Upper Std OD, 0.030 US ID	-
2	36416	89BM-6333-GA	Main Bearing, Crankshaft, Upper 0.015 OS OD, 0.010 US ID	-
2	36418	89BM-6333-HA	Main Bearing, Crankshaft, Upper 0.015 OS OD, 0.020 US ID	-
2	61545	89BM-6331-AA	Main Bearing, Crankshaft, Lower Std OD, Std ID	-
2	61546	89BM-6331-BA	Main Bearing, Crankshaft, Lower Std OD, 0.005 US ID	-
2	61547	89BM-6331-CA	Main Bearing, Crankshaft, Lower Std OD, 0.010 US ID	-
2	61548	89BM-6331-DA	Main Bearing, Crankshaft, Lower 0.015 OS OD, Std ID	-
2	61549	89BM-6331-EA	Main Bearing, Crankshaft, Lower Std OD, 0.020 US ID	-
2	61550	89BM-6331-FA	Main Bearing, Crankshaft, Lower Std OD, 0.030 US ID	-
2	61551	89BM-6331-GA	Main Bearing, Crankshaft, Lower 0.015 OS OD, 0.010 US ID	-
2	61552	89BM-6331-HA	Main Bearing, Crankshaft, Lower 0.015 OS OD, 0.020 US ID	-
3	36419	89BM-6A341-AA	Washer, Main Bearing Thrust, Std	2
3	36421	89BM-6A341-BA	Washer, Main Bearing Thrust, 0.015 OS	-
4	36422	89BM-6312-AA	Pulley, Crankshaft, 1 Groove	1
5	36423	89BM-6K340-AA	Bolt, Pulley to Crankshaft, M12 x 32	1
6	07707	E830135-S76	Washer, Pulley to Crankshaft, B12	1
7	36257	83BM-6700-A4A	Seal, Front Cover	1
8	36424	D8RZ-6310-A	Slinger, Oil	1
9	37321	DORY-6306-A	Sprocket	1
10	37312	DORY-6B316-A	Key, Woodruff	1
11	36259	89BM-6344-BA	Gasket, Rear Retainer	1
12	36430	86BM-6K318-AA	Retainer Assembly, Rear	1
13	37343	86HM-6701-AIA	Seal, Crankshaft Rear	1
14	36431	E630173-S71M	Washer, B8 Lock	4
15	37181	E602187-S82	Bolt, M8 x 20	4
16	36432	89BM-6102-DA	Piston, Pin and Ring Assembly, Std	-
16	36433	89BM-6102-EA	Piston, Pin and Ring Assembly,	-
16	36445	89BM-6102-FA	Piston, Pin and Ring Assembly,	-
17	42361	89BM-6148-DA	Ring Set, Piston, Std	-
17	75809	89BM-6148-EA	Ring Set, Piston, 0.020 OS	-
17	75817	89BM-6148-FA	Ring Set, Piston, 0.040 OS	-
18	61527	89BM-6200-AD	Rod Assembly, Connecting	4
19	36454	89BM-6214-DB	Bolt, Connecting Rod	8
20	36463	89BM-6211-AA	Bearing, Connecting Rod, Std	8
20	36467	89BM-6211-BA	Bearing, Connecting Rod, 0.001 US	-
20	36469	89BM-6211-CA	Bearing, Connecting Rod, 0.010 US	-
20	36483	89BM-6211-DA	Bearing, Connecting Rod, 0.020 US	-
20	36493	89BM-6211-EA	Bearing, Connecting Rod, 0.030 US	-
21	36590	116336-ES100	Dowel Pin, Connecting Rod	8

Fig. 5 - Oil Pump and Oil Pan Group

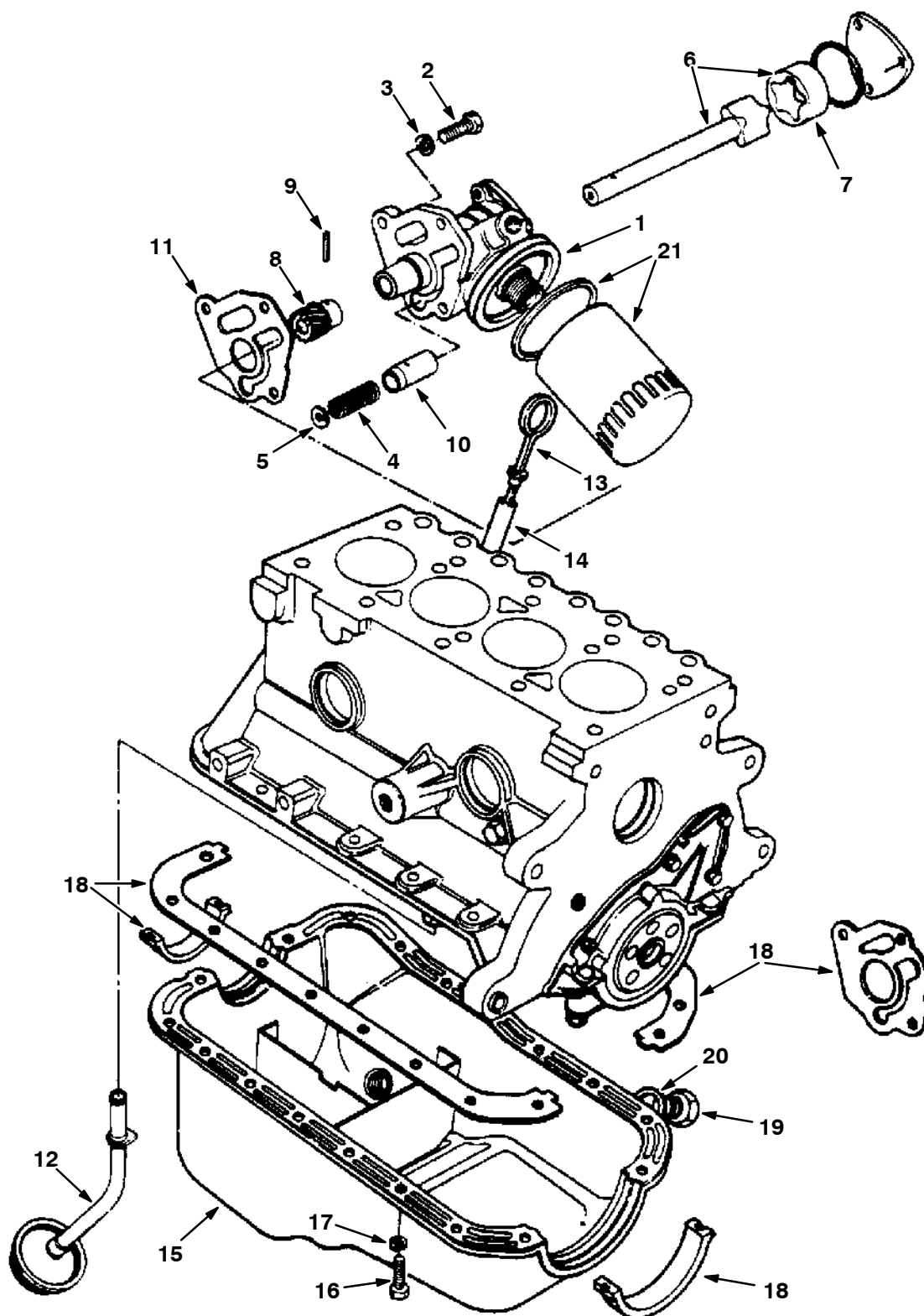
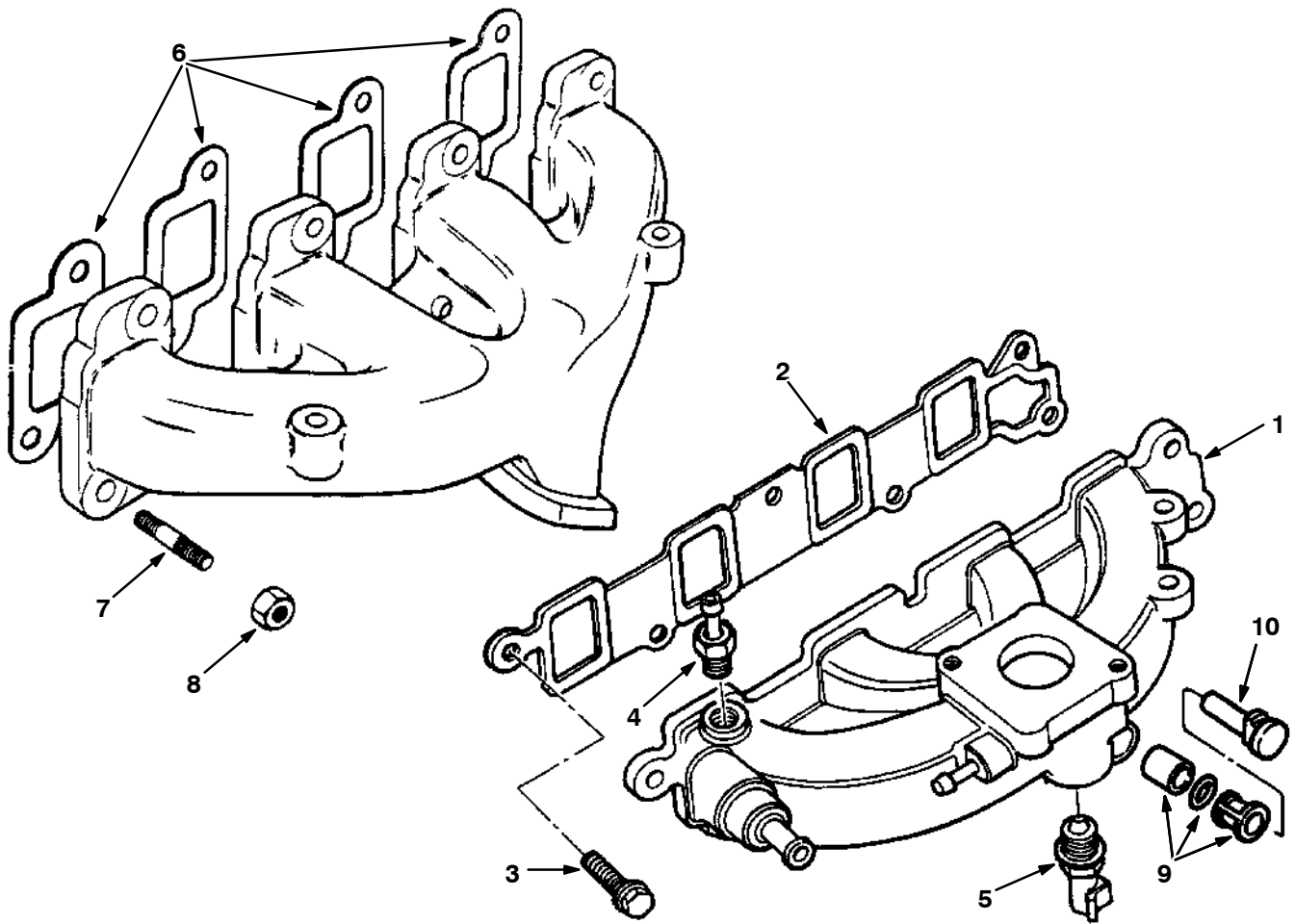


Fig. 5 - Oil Pump and Oil Pan Group

	Ref.	Tennant Part No.	Ford Part Number	Description	Qty.
▽	1	07710	D8RZ-6600-A	Pump, Oil	1
▲	2	36748	E800519-S72	Bolt	3
▲	3	36431	E630173-S71M	Washer, B8 Lock	3
▲	4	36904	DORY-6670-A	Spring	1
▲	5	36923	DORY-6666-A	Plug (Repl. by none)	1
▲	6	10075	D1FZ-6608-B	Rotor and Shaft	1
▲	7	37403	116682-ES	Seal, Cover Plate	1
▲	8	36780	DORY-6652-A	Gear	1
▲	9	36867	72432-S	Pin, Drive Gear	1
▲	10	36881	DORY-6674-A	Plunger	1
	11	36764	89BM-6659-AA	Gasket, Oil Pump to Block	1
	12	36765	86BM-6617-AA	Tube Assembly, Oil Pickup	1
	13	36924	92BM-6750-AA	Indicator, Oil Level	1
	14	37053	89BM-6784-AA	Tube, Oil Level Indicator	1
	15	37098	86BM-6675-AA	Oil Pan and Plug	1
	16	37099	E602165-S72	Bolt, M6 x 14, Oil Pan	18
	17	36373	34805-S8	Washer, 1/4 Lock	18
	18	10806	A850X-6013-AA	Kit, Oil Pan Gasket	1
	19	37127	E9DZ-6730-B	Plug, Oil Drain	1
	20	37157	E9DZ-6734-B	Gasket, Oil Drain Plug	1
	21	19205		Filter, Engine Oil	1

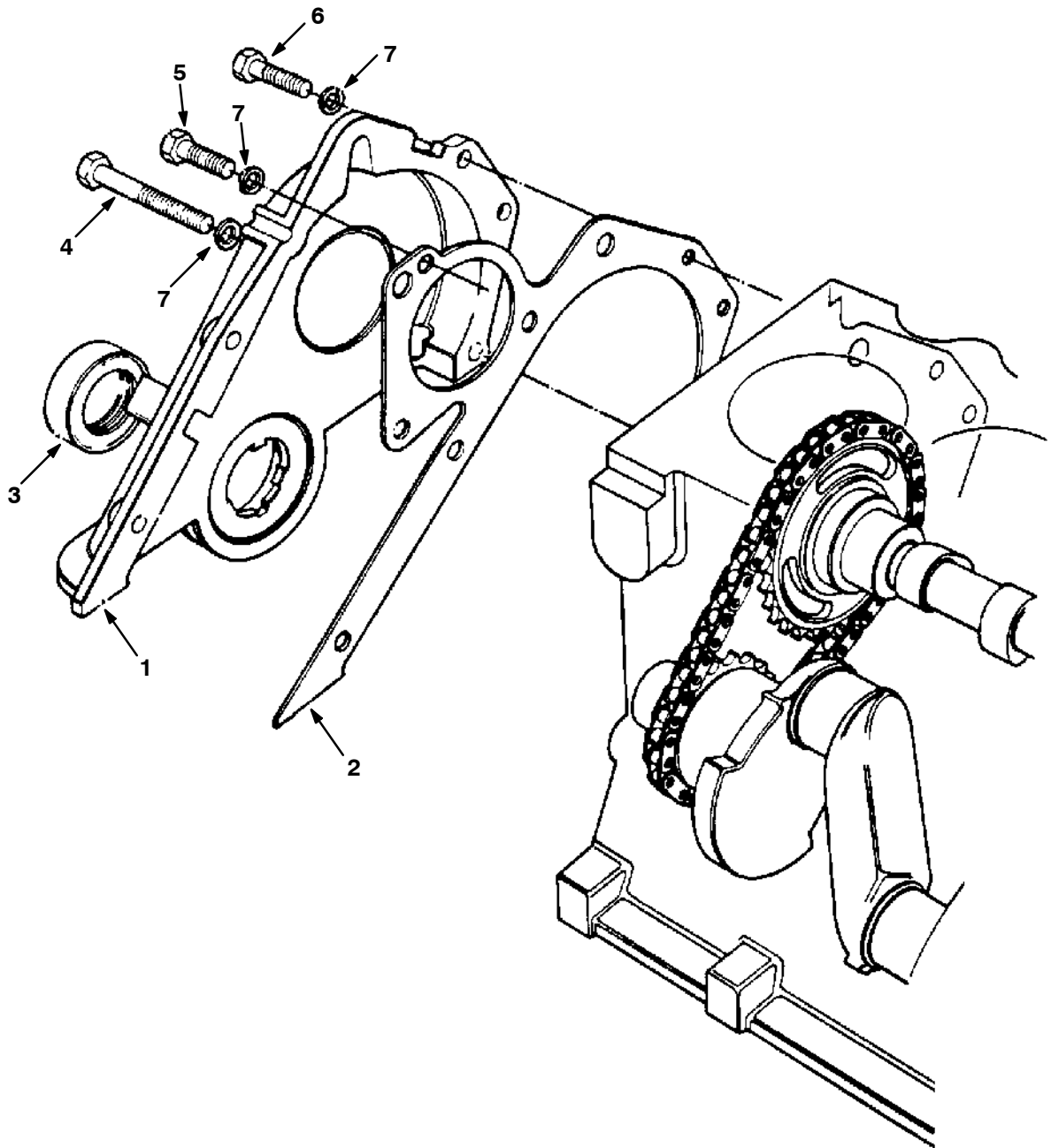
Fig. 6 - Manifold Group



07949 - 6500L, 8200, G, LP

Ref.	Tennant Part No.	Ford Part Number	Description	Qty.
1	37194	89BF-9424-AD	Manifold, Intake	1
2	37195	89BM-9441-AB	Gasket, Intake Manifold	1
3	37196	E800157-S72	Bolt, M8 x 25	6
4	37198	77BF-9K442-AA	Adapter, Vacuum	1
5	84989	F57Z-12A648-AA	Sensor, Water Temperature	1
6	61556	89BM-9448-BA	Gasket, Exhaust Manifold	4
7	30327		Stud	8
8	08165		Nut, Hx Stover M8 x 1.25	8
9	21784	87AB-2A411-BA	Manifld Insert	1
10	21785	87AB-9H490-AA	Plug	1

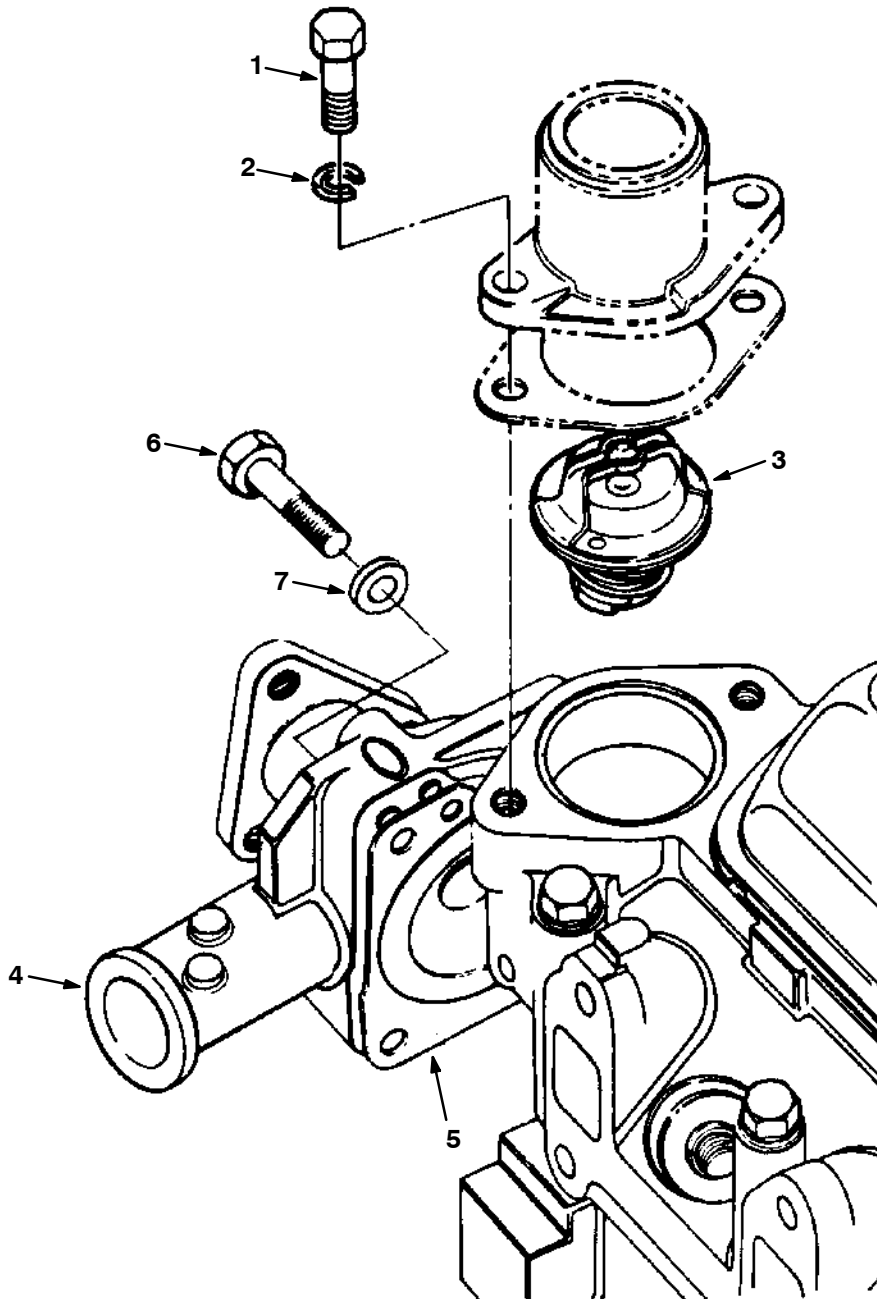
Fig. 7 - Front Cover Assembly Group



04708 - G, LP

Ref.	Tennant Part No.	Ford Part Number	Description	Qty.
▽ 1	36332	89BM-6019-AA	Cover and Seal Assembly, Cylinder Front	1
▲ 2	52484	89BM-6020-AA	Gasket, Front Cover	1
▲ 3	36257	83BM-6700-A4A	Seal, Front Cover	1
4	36337	E800518-S72	Bolt, M6 x 45, Front Cover to Block	1
5	39047	E600113-S72	Bolt, M6 x 40, Front Cover to Block	3
6	36338	E800512-S72	Bolt, M6 x 18, Front Cover to Block	4
7	36339	E832108S71M	Washer, Lock, M6, Front Cover and W/P to Block	8

Fig. 8 - Water Pump Group

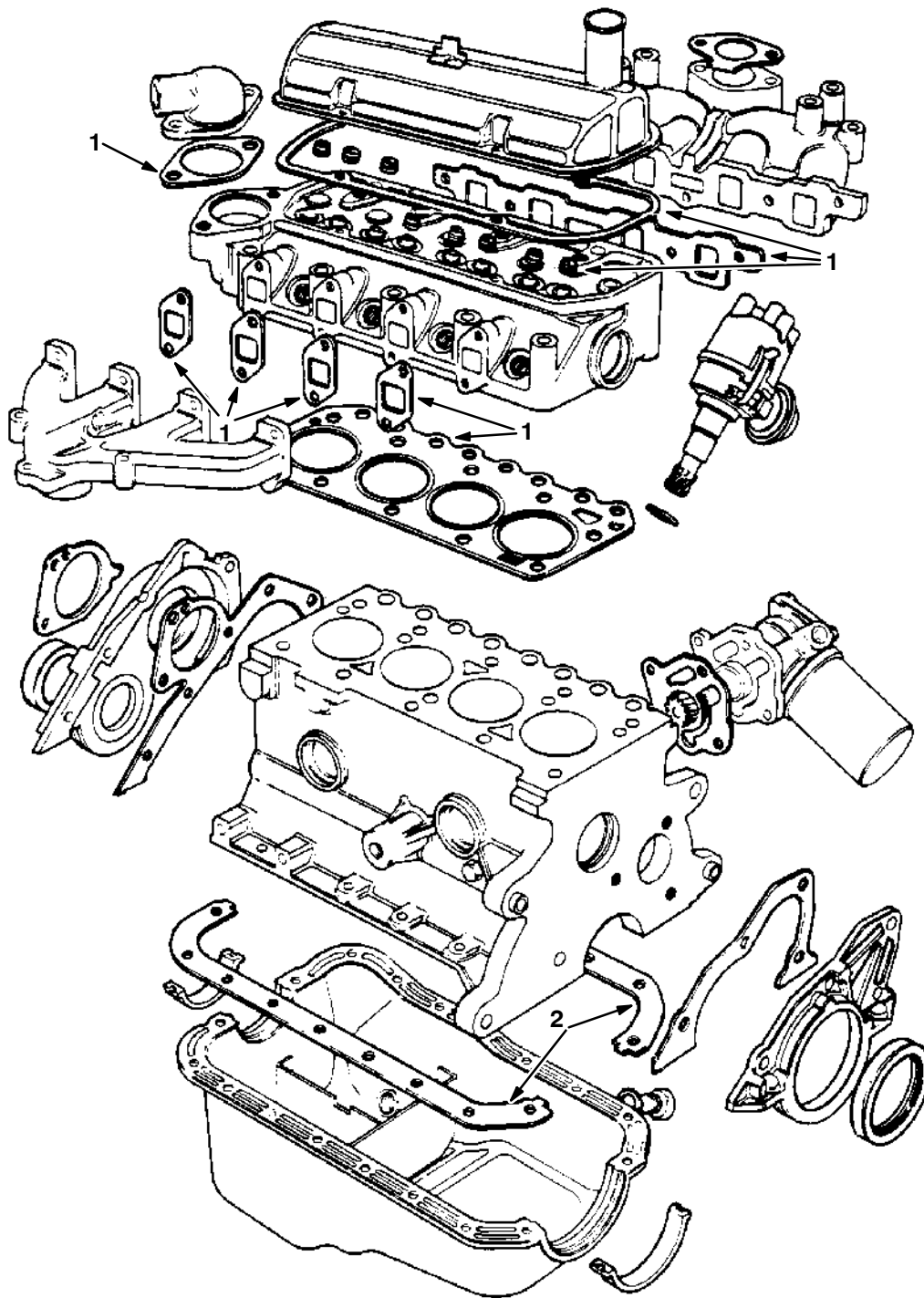


04709 - G, LP

Ref.	Tennant Part No.	Ford Part Number	Description	Qty.
1	37181	E602187-S82	Bolt, M8 x 20	2
2	36431	E630173-S71M	Washer, B8 Lock	2
3	37327	RT-351	Thermostat, 180 Degree	1
4	26431	92BX-8591-AA	Water Pump	1
5	37189	89BM-8507-AA	Gasket, Water Pump	1
6	37193	E600113-S72	Bolt, M6 x 40, Front Cover and W/P to Block	3
7	36339	E832108-S71M	Washer, M6 Lock	3



Fig. 9 - Gaskets Group



04711 - G, LP

Ref.	Tennant Part No.	Ford Part Number	Description	Qty.
▽	36253	88BX-6008-BA	Engine Gasket Kit, Complete	1
▲ 1	36254	88BX-6014-BA	Engine Gasket Kit, Upper	1
▲ 2	10806	A850X-6013-AA	Pan Gasket Kit	1

Fig. 10 - Distributorless Ignition Group

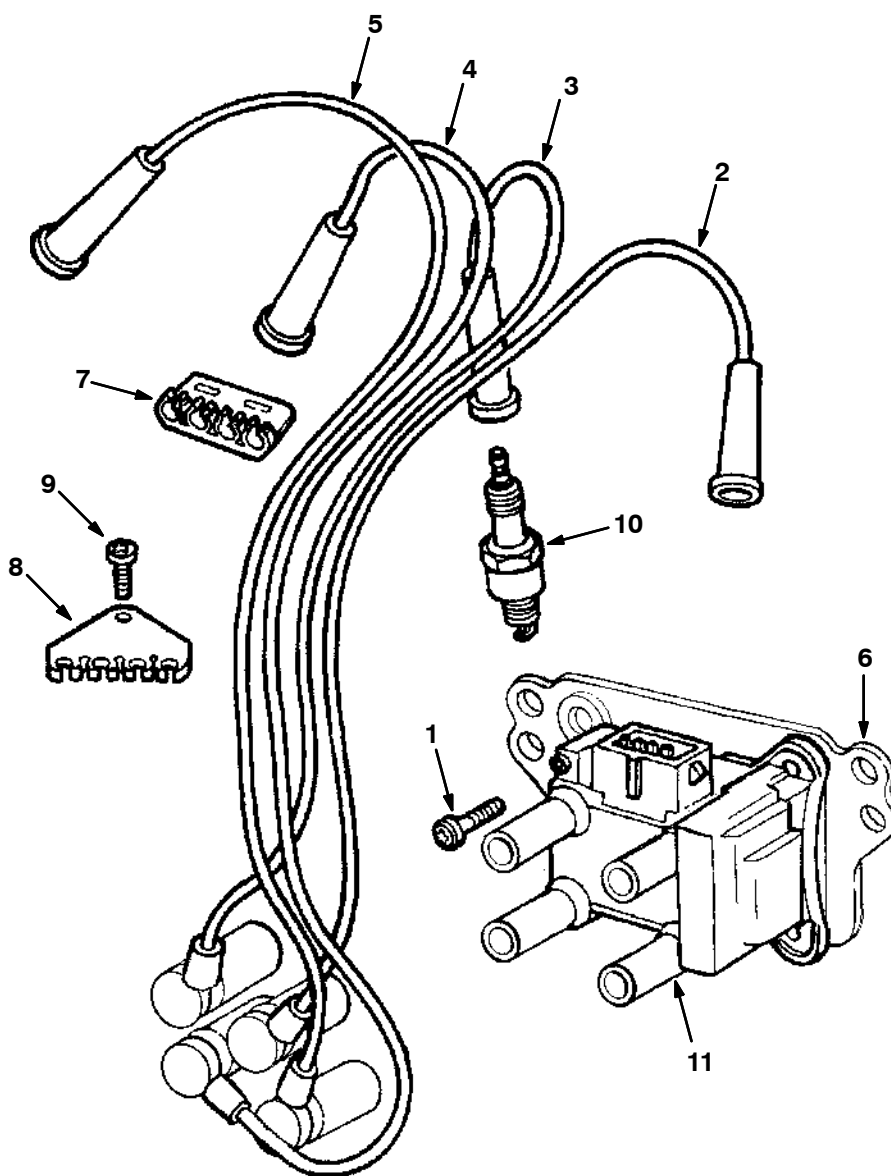
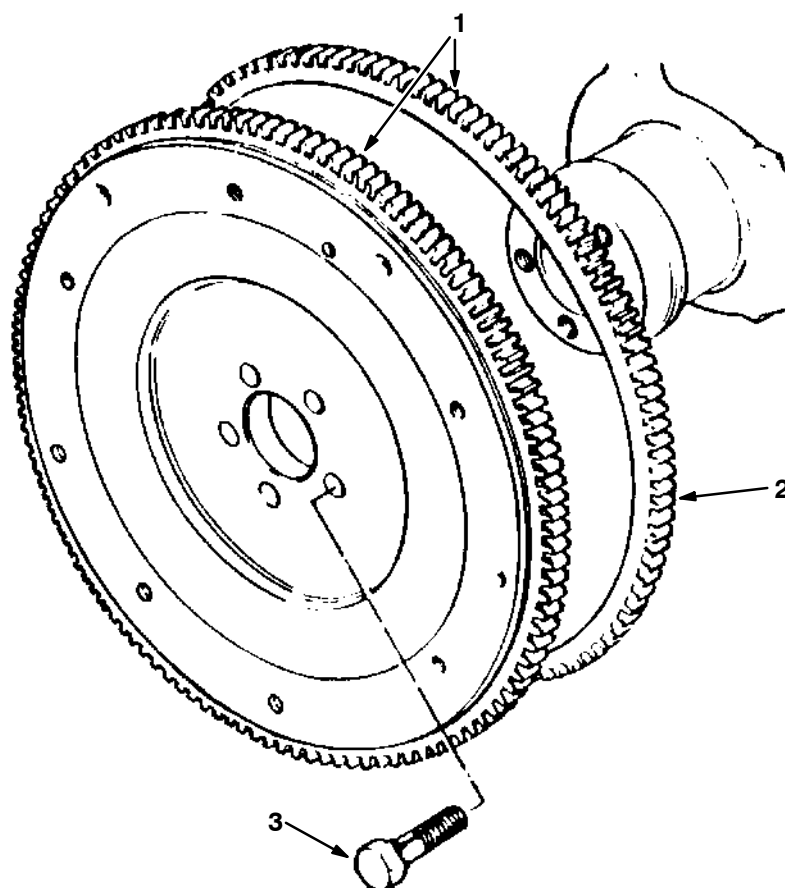


Fig. 10 - Distributorless Ignition Group

Ref.	Tennant Part No.	Ford Part Number	Description	Qty.
1	374672	W505574-S309	Screw, M5x16	4
2	374667	98BF-12286-DA	Wire, Spark Plug, No. 1	1
3	374668	98BF-12283-DA	Wire, Spark Plug, No. 2	1
4	374669	98BF-12284-DA	Wire, Spark Plug, No. 3	1
5	374670	98BF-12287-DA	Wire, Spark Plug, No. 4	1
6	374671	98BF-12257-AA	Bracket, Coil Mount	4
7	39043	E865648-S	Separator, Ignition Wire	1
8	39044	89BF-12297-AA	Separator, Ignition Wire	1
9	39045	E802166-S76	Screw, M4 x 10	1
10	39046	87YF-12405-AB	Spark Plug	4
11	374666	98BF-12029-AB	Coil and Bracket Assembly, Ignition	1

**Fig. 11 - Flywheel Group**



04710 - G, LP

	<b>Ref.</b>	<b>Tennant Part No.</b>	<b>Ford Part Number</b>	<b>Description</b>	<b>Qty.</b>
▽	1	36591	89BM-6375-BA	Flywheel and Ring Gear Assembly	1
▲	2	52488	D8RZ-6384-A	Ring, Gear	1
	3	36630	D2RY-6379-A	Bolt, M10 x 22.5, Flywheel to Crankshaft	5
		36646	D1FZ-6397-B	Dowel	3

# SECTION 6

**CONTENTS**

**PAGE**

PART NUMBER TO PAGE NUMBER CROSS REFERENCE LIST ..... 6-2

# CROSS REFERENCE

## PART NUMBER TO PAGE NUMBER CROSS REFERENCE LIST

Part Number	Page Number	Part Number	Page Number	Part Number	Page Number
A850X-6013-AA	5-9, 5-13	00500-15	4-6	08708	2-13, 2-23, 2-27, 2-33,
D1FZ-6284-A	5-5	00966	4-8		2-37, 2-69
D1FZ-6345-A	5-3	01047	3-27	08709	2-43, 2-81, 2-83
D1FZ-6397-B	5-16	01314	2-7, 2-25	08711	2-13, 2-15, 2-71
D1FZ-6608-B	5-9	01318	2-15	08712	2-3, 2-59, 2-65, 2-67,
D2RY-6379-A	5-16	01335	2-71		2-71, 3-45
D8RZ-6026-A	5-3	01683	2-67	08713	2-4, 2-7, 2-65, 2-67,
D8RZ-6310-A	5-7	01684	2-3, 2-4, 2-7, 2-65,		2-79
D8RZ-6384-A	5-16		2-67, 2-71, 2-83, 3-29,	08716	2-3, 2-65, 2-67, 2-71
D8RZ-6600-A	5-9		3-45	09007	3-45
D8RZ-6767-A	5-3	01685	2-4, 2-7, 2-65, 2-67,	09010	2-67
DORY-6026-A	5-2, 5-3		2-69, 2-77	09011	2-7
DORY-6255-A	5-5	01754	2-23	09026	2-79
DORY-6258-A	5-5	01997	2-37	09028	2-81
DORY-6261-A	5-5	02076	2-31	09029	2-71
DORY-6261-B	5-5	02126	3-25	09088	2-57
DORY-6262-B	5-5	02129	3-25	09146	2-23
DORY-6262-C	5-5	02469	2-91	09342	2-7
DORY-6268-A	5-5	02603	4-5	09739	2-67
DORY-6269-A	5-5	02645	4-5	09740	2-81, 2-83
DORY-6306-A	5-7	02646	4-5	09741	2-71
DORY-6549-B	5-5	02647	4-5	09774	2-71
DORY-6587-A	5-5	02650	4-3	09775	2-63
DORY-6590-A	5-5	02705	4-3	09900-1	2-95
DORY-6652-A	5-9	02706	4-3	10075	5-9
DORY-6666-A	5-9	02709	4-3	10137	2-50, 2-51
DORY-6670-A	5-9	02738	2-33	10632-12	3-27
DORY-6674-A	5-9	02740	2-39	10632-13	2-49
DORY-6B316-A	5-7	02741	2-39	10632-18	3-6, 3-7, 3-8, 3-9,
E43-CPI	5-5	02850	3-41		3-10, 3-11, 3-13, 3-15,
E600113-S72	5-11, 5-12	02887	2-29		3-17, 3-37
E600116-S204	5-5	02942	2-77	10632-4	2-40
E602165-S72	5-9	02994	2-21	10632-9	3-6, 3-7, 3-8, 3-9,
E602187-S82	5-7, 5-12	02995	2-21		3-10, 3-11, 3-13, 3-15,
E602351-S72	5-5	03026	2-39		3-17
E630024-S201	5-2	04414	2-31	10652	2-47
E630031-S101	5-5	04483	2-3, 4-13	10795	2-29
E630173-S71M	5-7, 5-9, 5-12	04733-10	3-5	10806	5-9, 5-13
E800157-S72	5-10	04843	2-61	11329	2-4, 2-65, 2-69
E800509-S72	5-5	05686	2-61, 2-63	11442-1	2-37
E800512-S72	5-11	06474A	2-67	11531	2-49
E800516-S72	5-2	06549	2-109	11631	2-83
E800518-S72	5-11	06927	3-41	116336-ES100	5-7
E800519-S72	5-9	06942	2-13, 2-27	11636	2-71
E802166-S76	5-15	06944	2-33, 2-37	116682-ES	5-9
E802666-S72	5-3	06945	2-13, 2-33, 2-37, 3-36	11842	2-63
E830135-S76	5-7	06967	2-13	11984	2-33
E832108-S71M	5-12	07049	3-36	12267	2-79, 2-81
E832108S71M	5-11	07450	2-81	12271	2-17, 2-23, 3-27
E840126-S	5-2	07464	2-37	12459	3-29, 3-45
E865648-S	5-15	07562	2-39	13015	2-51
E890100-S	5-3	07565	2-39	13115	2-93
E93A-6253-A	5-5	07598	2-37	13301	2-8, 2-9
E9DZ-6730-B	5-9	07705	2-3, 5-2	13904	4-11
E9DZ-6734-B	5-9	07707	5-7	13907	4-11
EN2166-S72	5-5	07710	5-9	14131	2-45
F1ZZ-6026-A	5-3	07791	3-45	14242	2-57
F57Z-12A648-AA	5-10	07792	3-45	14432	2-39
F5RZ-6C315-A	5-3	07805	2-73, 2-83	14601	2-17
IB3614	4-8	08165	2-29, 5-10	15555-1	2-45
N602166-S2	5-5	08179	2-81	16081	2-15
RT-351	5-12	08182	2-57	16082	2-77
W505574-S309	5-15			16213	2-61

# CROSS REFERENCE

Part Number	Page Number	Part Number	Page Number	Part Number	Page Number
16369	2-11	27988	3-36	353055-S7	5-3
16376	2-93	29558	2-79	35488	2-91
16455	2-75	29584	2-79	35493	4-8
16695	4-6, 4-7	30013	2-43, 2-95	357966-S	5-5
16735	2-21	30251	2-83	35973	2-83
16738	2-33	30252	2-83	360109	2-83
16786	2-75	30253	2-83	360110	2-83
16931	2-13, 2-15, 2-43, 3-45	30255	2-83	360467	2-81, 2-95
16944	2-25, 2-81	30316	2-29	360492	2-83
17414	2-29, 2-37	30327	5-10	36050	2-3, 2-33
19066	2-33, 2-37, 3-35, 3-41	30407	2-31, 2-39, 2-51	360943	2-71, 2-73, 3-3
19200	2-29	30468	2-29	361075	2-23, 2-40
19205	2-3, 2-29, 5-9	30533	3-43	361339	2-31, 2-73
19252	2-31	30550	2-29	36253	5-13
19637	2-91	30553	2-41	36254	5-13
19689	2-29	30559	2-41	36257	5-7, 5-11
19760	2-37	30570	2-41	36259	5-7
19768	2-23	31249	3-25	36263	5-3
19827	3-18	31354	4-6, 4-7	36264	5-3
20177	3-36	31373	4-7	36267	5-3
21198	3-36	31375	4-6	36268	5-3
21246	2-7, 2-23	31380	4-7	36272	5-3
21642	2-7	31381	4-6	36273	5-3
21784	5-10	31385	4-7	36274	5-3
21785	5-10	31517	2-49	36275	5-3
21915	4-11	31518	2-49	36276	5-3
21951	4-5	31524	2-39	36278	5-3
21952	4-5	31526	2-41	36279	5-2
21953	4-5	31543	2-33, 2-37, 3-33, 3-35	36281	5-2
222460	2-57, 2-59, 2-79	31599	2-87	36297	5-2
222504	2-67	31613	2-93	36298	5-2
222683	2-23	31719	2-91	36300	5-2
222809	2-7	31755	2-49	36307	5-2
22308-3	2-47	31922	3-3	363087	2-81
22654	4-6, 4-7	31988	2-23	36315	5-2
23156	2-37	32126	2-3, 2-53	36318	5-2
23163	2-93	32485	3-36	36319	5-2
23182	2-93	32486	2-67	36321	5-2
23191	3-5	32490	2-13, 2-23, 2-27, 2-69	36322	5-7
23210	3-13, 3-15, 3-17	32491	2-13, 2-15, 2-21, 2-79,	36324	5-2
23211	3-13, 3-15, 3-17		2-81, 2-83, 3-31, 3-33,	36325	5-2
23274	3-45		3-35	36328	2-13, 2-15, 2-71
23498	2-73	32492	2-77	36330	5-2
23788-1	2-75	32493	2-13, 2-15	36331	5-2
23788	2-59, 2-75	32494	2-71	36332	5-11
24012	2-43	32716	2-79, 2-81	36337	5-11
24013	2-29	32969	2-57	36338	5-11
24047	2-47	32982	3-36	36339	5-11, 5-12
24199	2-67	32987	2-83	36340	5-5
24339	2-3, 2-53	330274	3-46	36342	5-5
24576-1	3-3, 3-13, 3-15, 3-17	330275	3-46	36343	5-5
24576	3-13, 3-15, 3-17	33671	2-50	36344	5-5
24593	3-35	33807	2-11, 2-27	36345	5-5
24595	3-37	33930	2-65	36348	5-5
24899	2-83	33951	2-33, 2-35	36349	5-5
24924	2-33	34176	4-6	36372	5-5
24928-1	2-47	34280	3-25	36373	5-5, 5-9
25610	2-45	34323	2-85	36374	5-5
25887	2-83	34330	2-21	36375	5-5
26395-1	2-47	34359	2-77	36381	5-5
26395-2	2-73, 3-3, 3-41	34805-S8	5-5, 5-9	36382	5-5
26431	5-12	34813	2-23	36383	5-5
26496	2-47	34868	2-40	36384	5-5
27048	2-47	35033	2-87	36389	5-5

# CROSS REFERENCE

Part Number	Page Number	Part Number	Page Number	Part Number	Page Number
36390	5-5	370130	3-29	374553	2-53
36402	5-5	370143	3-23	374559	2-53, 4-5
36405	5-5	370146	3-25	374560	2-53
36406	5-5	370159	3-29	374561	2-53
36407	5-5	37053	5-9	374563	2-53
36408	5-5	37098	5-9	374567	2-95
36409	5-5	37099	5-9	374573	2-79
36410	5-7	37127	5-9	374632	5-3
36411	5-7	37157	5-9	374637	2-33
36412	5-7	37181	5-7, 5-12	374638	2-33
36413	5-7	37189	5-12	374639	2-33
36414	5-7	37193	5-12	374643	2-29
36415	5-7	37194	5-10	374648	2-37
36416	5-7	37195	5-10	374649	2-37
36418	5-7	37196	5-10	374651	3-25
36419	5-7	37198	5-10	374653	3-25
36421	5-7	37306	5-5	374654	3-25
36422	5-7	37307	5-5	374666	5-15
36423	5-7	37312	5-7	374667	5-15
36424	5-7	37313	5-2, 5-3	374668	5-15
36430	5-7	37316	5-5	374669	5-15
36431	5-7, 5-9, 5-12	37317	5-5	374670	5-15
36432	5-7	373201	4-4	374671	5-15
36433	5-7	373207	4-4	374672	5-15
36438	3-13, 3-15, 3-17	37321	5-7	374676	2-43
36439	3-13, 3-15, 3-17	373211	4-4	374691	2-43
36445	5-7	373217	4-5	374710	2-57
364498	2-71	373226	4-5	375202	2-73
36454	5-7	373227	4-4	375203	2-23
36463	5-7	373229	4-4	375209	2-73
36467	5-7	373232	4-4	375227	3-41
36469	5-7	373234	4-4	375249	2-73
364697	2-67	373235	4-4	375411	2-11
36483	5-7	373236	4-5	375412	2-33, 2-37
36493	5-7	373243	4-4	375413	2-33, 2-37
36590	5-7	373244	4-4	375414	2-33, 2-37
36591	5-16	373260	4-5	37555	4-6, 4-7
36630	5-16	373267	4-4	37693	5-5
36643	2-63	37327	2-29, 5-12	37694	5-5
36646	5-16	373285	4-4	378972	2-85
36748	5-9	373286	4-4	379532	2-77
36764	5-9	373287	4-4	379534	2-77
36765	5-9	373288	4-4	379551	2-71
367679	2-73	373289	4-4	379555	2-73
36780	5-9	373290	4-4	379557	2-77
367987	3-33, 3-35	373291	4-5	379564	2-13
36867	5-9	373292	4-5	379565	2-15
36881	5-9	37337	5-5	379590	2-65
36904	5-9	37343	5-7	379596	2-107
36923	5-9	37403	5-9	379605	2-97, 4-4
36924	5-9	374127	2-33, 2-35	379607	2-77, 4-7
370008	2-5	374504	2-85	379608	2-83, 4-6
370009	2-5	374505	2-85	379629	2-3
370115	3-29	374513	2-31	379656	2-27
370116	3-29	374516	2-41	379665	2-27
370117	3-29	374517	2-7	379684	2-79
370118	3-29	374520	2-61	379686	2-79
370119	3-29	374523	2-17	379698	2-3, 2-67
370120	3-29	374526	2-45	379699	2-3, 2-67
370121	3-29	374527	2-33	379701	2-67
370122	3-29	374529	2-33	379702	2-3, 2-67
370124	3-29	374532	2-37	379703	2-3, 2-67
370125	3-29	374547	2-95, 4-11	379704	2-4, 2-65
370129	3-29	374552	2-53	379705	2-3, 2-4, 2-65



# CROSS REFERENCE

Part Number	Page Number	Part Number	Page Number	Part Number	Page Number
379706	2-3, 2-4, 2-65	383129	2-13, 2-15	393326	3-35
379707	2-65	383130	2-23	393329	4-15, 4-16, 4-17
379708	2-73	383131	2-23	393330	4-15, 4-16, 4-17
379719	2-40	383137	2-83	393331	4-15
379726	2-65	383139	2-83	393332	4-15, 4-16
379727	2-65	383142	2-83	393333	4-15
379728	2-67	383143	2-83	393334	4-15
379732	2-61	383146	2-29	393335	4-15, 4-16, 4-17
379733	2-51	383149	2-13, 2-15	393336	4-15, 4-16, 4-17
379750	2-3, 2-9	38315	4-5	393337	4-15, 4-16
379751	2-3, 2-8	383150	2-81	393338	4-15, 4-16, 4-17
379752	2-7	383157	2-95	393339	3-35, 4-15
379755	2-8, 2-9	383158	2-95	393340	3-35, 4-14
379756	2-8, 2-9	383160	2-7	393341	4-14
379784	2-69	383161	2-7	393342	4-14
379786	2-69	383166	2-106	393343	4-14
379787	2-69	383168	2-106	393344	4-14
379788	2-71	383179	2-25	393345	4-14
379789	2-71	383180	2-25	393346	4-14
379791	2-3, 2-67	383183	2-13	393347	4-14
379792	2-4, 2-65	383184	2-13	393348	4-14
379793	2-91	383185	2-13	393349	4-14
379797	3-45	383186	2-7	393350	4-14
379800	3-45	383189	2-27	393351	4-14
379801	3-45	383194	2-81	393352	3-35
379803	3-45	383196	2-81	393355	3-33, 3-35
379804	3-45	383200	2-81	393356	3-33, 3-35
379805	3-45	383201	2-81	393359	3-36
379806	3-45	383205	2-81	393362	3-35
379809	2-67	383210	2-83	393363	3-37
379810	3-45	383211	2-23	393366	3-30
379812	2-65	383212	2-23	393372	3-21
379814	2-4, 2-65	383213	2-25	393377	3-36
379815	2-77	383214	2-25	393378	3-36
379816	2-73	383215	2-81	393381	3-33, 4-16
379817	2-73	383219	2-13	393384	3-31, 4-17
379820	2-71	383220	2-23	393387	3-35
379821	2-67	383221	2-95	393388	3-36
379822	2-73	383224	2-109	393389	3-36
379823	2-73	383225	2-40	393390	3-33, 3-35
379827	2-71	383228	2-3	393391	3-30
379829	2-65, 2-67, 2-73	383234	2-107	393392	3-30
379830	2-73	383722	2-3, 2-27, 3-27	393393	3-30
379831	2-4, 2-65	383725	3-37	393394	3-30
379832	2-67	383732	2-31	393395	3-30
379833	2-71	38490	4-5	393396	3-30
379834	2-65	38978	3-46	393413	3-38
379835	2-65	39005	2-57	39395	2-83
379841	2-3	39043	5-15	39396	2-77
379842	2-4	39044	5-15	39527	4-6
379849	2-73	39045	5-15	39658	2-23
379851	3-3	39046	2-3, 5-15	39780-1	2-37
379853	3-3	39047	5-11	39780	2-33
379855	3-3	391816	3-25	398508	2-23
379871	2-13	391848	2-11	398509	2-106
379874	3-45	391850	3-19	398528	2-23
379881	2-69	39210	2-95	40514	2-87
379882	2-73	392171	2-23	40607	2-37, 2-40
379883	2-71	39272	2-51	40625	2-29
379890	2-73	39277	2-43	40678	3-18
380618	3-33, 3-35	39284	3-45	41016	2-15, 2-21
38242	5-5	39308	2-75	41140	3-37
382516	2-23	39311	2-13, 2-15	41178	2-71, 2-73, 2-85
383127	2-21	39313	2-57	41345	2-13, 2-15

# CROSS REFERENCE

Part Number	Page Number	Part Number	Page Number	Part Number	Page Number
41845	3-27	51564	2-83	54617	2-57
42120-1	2-67, 2-75	51570	3-18	54655	2-63
42124	3-41	51715	2-83	54660	2-77
42216	2-93	51813	2-61	54848	2-79
42223	2-97	51839	2-37	54911-16	2-31
42361	5-7	52296	2-79	54911-25	2-29
43560	2-73	52386	4-3	54911-32	2-49
43844	2-35, 2-45	52402	2-83	54922	2-5
44078	2-25	52424	2-37	54923	2-5
44681-1	3-7, 3-9, 3-11	52484	5-11	54925	2-5
44681-2	3-7, 3-9, 3-11	52488	5-16	54927	2-5
44681	3-7, 3-9, 3-11	52508	2-63, 2-83	54934	2-79
44868	2-87, 2-95, 2-97	52615	2-11	54995	2-79
44869	2-83	53029	2-35, 2-45	54996	2-61
44906	2-11, 2-61, 3-45	53076	2-97	54997	2-63
45272	3-8, 3-9	53091	2-17	54999	2-63
45482	2-87	53400-1	2-47	55035	2-21, 2-25, 3-23
45628	4-6, 4-7	53400-4	2-47	55038	3-25
45779	3-6, 3-7, 3-8, 3-9, 3-10, 3-11	53466	2-15, 2-21, 2-77, 2-93	55048	2-17
45780	2-109	53468	2-7	55073	3-21
46236	2-45, 2-65, 2-73	53485	2-87, 4-8	55074	3-21
46480	2-53	53491	2-7	55161	3-21
46481	2-15	53492	2-11	55162	3-21
46559	2-77	53494	2-11	55164	3-21
47504	2-29, 2-77	53601	2-53, 4-13	55181	3-27
47508	2-77, 2-97	53783	2-39	55195	2-33, 2-35
47522	2-21	53816	2-55	55222	2-45
47720	2-47	53817	2-55	55225	2-49
47745	2-77	53839	2-11	55227	3-23
47752	2-97	53927	2-61	55228	3-23
47754	2-95	53947	2-63	55248	3-6, 3-7, 3-10, 3-11, 3-13, 3-15, 3-17
47801	2-53, 2-67	53950	2-63	55270	3-23
48079	2-63	53953	2-63	55272	3-3
48126	2-45	53965	2-77	55347	2-15
48267	2-45	54009	3-41	55446	2-95
48570	3-3	54012	3-41	55461	3-27
48760	2-95	54015	2-63	55462	2-75
48813	4-8	54030	2-11	55463	2-75
48985	2-57	54050	2-77	55586	2-67, 2-83
49263	2-21, 2-23, 3-37	54051	2-53	55619	2-15
49266	2-50, 2-51, 2-73, 3-3, 3-6, 3-7, 3-8, 3-9, 3-10, 3-11, 3-13, 3-15, 3-17	54052	2-53	55685	2-95
49697	2-73	54079	2-75	55686	2-95
49826	2-65, 2-67, 2-77	54089	2-3, 2-4, 2-65	55691	2-91
50045	2-63	54093	2-109	55740	2-3, 2-15
50421	2-95	54095	4-8	55779	2-83
50896	2-73	54096	2-67	55851	2-43
50902	3-36	54182	2-7	55861	2-43
51021N	2-5	54184	2-7	55864	2-3
51109	2-59	54190	2-3, 2-7	55914	2-67
51176	2-31	54194	2-95	55925	4-3
51225	2-77	54205	2-63	55926	4-3
51338	2-53, 2-57	54274	2-49, 2-85	55930	4-3
51339	2-53, 2-57	54275A	2-85	55931	4-3
51417	4-5	54333	2-29	55932	4-3
51458	2-11	54343	2-47	55937	4-3
51459	2-11	54345	2-21	55939	4-3
51538	2-77, 3-45	54390	2-57	55959	3-23
51542	2-5	54400	2-57, 2-59, 2-79	55963	3-23
51545	2-59	54437	2-57	55964	3-41
51560-3	2-39	54567	2-57	55965	2-65
51562	2-59	54577	2-57	55968	3-23
		54607	2-59	55973	3-23
		54615	2-11	56185	2-21
		54616	2-59		

# CROSS REFERENCE

Part Number	Page Number	Part Number	Page Number	Part Number	Page Number
56186	3-37	58595	2-11	59649	2-85
56187	3-23	58596	4-9	59656	2-85
56198	3-5	58645	2-75	59658	2-65
56228	2-83	58665	3-5	59661	2-19
56362	2-21	58667	3-5	59665	3-19
56373	3-5	58748	2-21	59666	3-19
56379	3-5	58770	2-8, 2-9	59668	2-61
56385	3-5	58842	2-53	59672	2-61
56392	3-5	58846	2-33	59680	2-3
56398	2-21	58849	2-17	59681	2-3
56546	3-23	58858	2-93, 2-97	59685	2-3
56560	3-23	58872	2-79	59687	2-3
56595	3-19	58898	3-25	59692	2-8, 2-9
56641	2-79	58977	2-17	59695	2-15
56662	2-79	58979	2-59	59734	2-85
56690	2-93	58999	2-17	59735	2-85
56692	2-97	59015	2-45	59760	2-9
56799	3-23, 3-25	59018	2-19	59761	2-8
56820	2-53	59019	2-17	59766	2-11
56821	2-93	59031	3-25	59771	2-11
56890	2-7	59032	3-25	59789	2-93
56914	2-8, 2-9	59105	2-3	59790	2-93
56976A	2-37, 2-47	59106	2-91	59797	3-27
57156	4-9	59189	2-65	59799	3-27
57167	2-7, 2-27, 3-27	59192	2-8, 2-9, 2-15, 2-17	59803	3-27
57220	3-6, 3-7	59194	2-9	59808	2-37
57297	2-47	59195	2-8	59809	2-37
57370	4-5	59335	2-3, 4-12	59811	2-39
57373	4-5	59377	2-19	59822	2-11
57374	4-5	59378	4-8	59825	2-75
57375	4-5	59380	2-75	59827	2-75
57702	2-11, 3-25	59384	3-43	59828	2-19
57751	3-37	59395	3-13	59829	2-19
57754	2-31	59440	2-5	59830	2-19
57755	2-31	59447	3-6, 3-7	59842	2-75
57772	2-27, 3-27	59448	2-71	59849	2-75
57773	2-31	59514	2-17, 3-25	59861	2-75
57803	3-37	59515	3-25	59866	2-75
57804	2-27	59537	2-8	59867	2-75
57807	3-27, 3-37	59538	2-9	59870	2-15, 2-95
57813	2-41	59540	3-41	59881	2-49
57897	4-3	59542	2-75	59892	2-47
57934	2-33	59550	2-49	59899	2-79
57935	2-21	59551	2-49	59920	3-3
57962	2-91	59560	2-91	59935	2-33, 2-35
57979	2-87, 2-97	59561	2-91	59940	3-5
57988	2-95	59563	2-91	59949	2-109
58078	2-57	59564	2-91	59962	3-3
58103	2-3	59565	2-91	59965	2-67
58120	2-3, 2-39	59568	2-91	59967	2-85
58121	2-39	59572	2-91	59975	2-87
58193	2-43	59573	2-91	60283	3-3
58297	2-11	59574	2-91	60287	3-23
58346	2-39	59575	2-91	60288	3-6, 3-7, 3-10, 3-11
58359	2-75	59576	2-91	60292	2-50
58494	2-17, 2-69	59577	2-95	60293	2-50
58518	3-6, 3-8, 3-10	59579	2-91	60294	2-51
58519	3-6, 3-8, 3-10	59585	2-91	60295	2-51
58520	3-6, 3-8, 3-10	59621	2-25	60307	3-6
58524	2-71	59622	2-25	60309	3-7
58538	2-39	59623	2-25	60312	3-8
58540	2-85	59628	2-25	60314	3-9
58589	2-47	59629	2-25	60316	3-10
58590	2-47	59647	2-19, 2-25	60318	3-11

# CROSS REFERENCE

Part Number	Page Number	Part Number	Page Number	Part Number	Page Number
60372	3-18	68872	2-50, 2-51	72087	3-45
60559	2-41	68873	2-50, 2-51	72094	3-17
60751	3-3	69234	2-25, 2-73	72096	3-15
60862	3-25	69266	2-33	72100	3-8, 3-9
61490	2-3, 4-6	69904	2-7	72114	3-6, 3-7
61527	5-7	69906	2-17	72118	2-8
61529	2-41	69907	2-17	72119	2-9
61531	2-41	69908	2-75	72120	2-8, 2-9
61538	5-2	69910	2-95	72128	2-47
61540	5-5	69915	2-7	72130	2-61
61545	5-7	69931	2-8, 2-9	72131	2-61
61546	5-7	69933	2-59	72132	2-59
61547	5-7	69941	2-3	72133	2-85
61548	5-7	69942	2-3	72136	2-93
61549	5-7	69951	2-17	72138	2-11
61550	5-7	69952	2-17	72142	3-27
61551	5-7	69972	2-15, 2-71	72147	2-49
61552	5-7	69986	2-17	72152	2-7
61556	5-10	69987	2-17	72154	2-19
61891	4-3	69990	2-85	72155	2-53
61913	3-27	70094	4-3	72178	3-3
61920	3-13, 3-15, 3-17	70095	4-3	72191	2-45
61931	2-41	70096	4-3	72192	2-45
62100	2-91	70097	4-3	72381	2-107
62172	2-95	70098	4-3	72382	2-107
62173	2-95	70099	4-3	72432-S	5-9
62337	2-91	70100	4-3	72926	2-53
62390	2-87	70101	4-3	72968	2-8, 2-9
62595-21	2-7	70103	4-3	73017	2-35
62595-22	2-11	70136	2-17	73020	2-37
62595-23	2-11	70142	2-17	73281	2-53
62595-3	2-21	70157	2-53	73411	2-61
62595-4	2-21	70158	2-57	74094	4-6, 4-7
62595-6	3-35	70159	3-13, 3-15, 3-17	74095	4-6
63234	2-63	70160	2-41	74098	4-5, 4-6
63810	2-33, 2-35, 2-37, 3-33, 3-35	70161	2-57	74099	4-6
63852	3-5	70173	2-45	74100	4-6, 4-7
64153	2-79	70221	2-47	74101	4-7
64535	2-69	70239	2-31	74105	4-9
64595	2-17, 2-69	70248	2-15	74109	4-9
64886	2-53	70252	2-15	74110	4-9
64887	2-53	70262	2-31	74111	4-9
64905	2-95	70263	2-31	74112	4-9
65145-1	2-97	70271	2-75	74120	4-5
65232	4-7	70272	2-75	74142	2-21
65241	4-9	70284	2-7	74172	2-21, 4-9
65527	2-37	70538	2-5	74174	4-6
65553	3-27	71021	2-51	74180	4-3
65561	3-27, 3-37	71026	3-41	74181	4-9
65869-1	2-3	71056	3-13	74182	4-9
66018	2-5	71057	3-27	74190	4-9
66019	2-5	71058	3-15, 3-23	74195	4-9
66099	2-11	71373	2-57	74218	4-9
66176	3-45	71436	2-35	74225	4-3
66177	3-45	71444	2-35	74226	4-3
66184	2-85	71446	2-29	74229	4-3
66197	3-23	71447	2-29	74230	4-3
66211	2-57	71543	3-8, 3-9	74233	4-8
66213	2-57	71544	3-13, 3-15, 3-17	74235	4-3
66221	3-23	71749	2-91	74237	4-3
67004	3-41	72024	3-25	74248	4-3
67683	2-97	72025-S7	5-5	74250	4-7
67767	2-7, 2-47, 2-50, 2-51	72049	3-27	74251	4-9
		72080	3-17	74380	3-45

# CROSS REFERENCE

Part Number	Page Number	Part Number	Page Number	Part Number	Page Number
74381	3-45	79804	4-11	89BM-6020-AA	5-11
74382	3-45	79805	4-11	89BM-6049-DD	5-2
74383	3-45	79806	4-11	89BM-6051-C2B	5-2
74391	2-57, 2-59, 2-79	79807	4-11	89BM-6055-BA	5-3
74394	2-49	79808	4-11	89BM-6056-A1G	5-2
74402	2-35	79812	2-3, 4-11	89BM-6057-A2E	5-2
74406	2-45	79813	4-11	89BM-6065-DA	5-2
74419	2-75, 4-12	79814	4-11	89BM-6102-DA	5-7
74428	3-25	79815	4-11	89BM-6102-EA	5-7
74429	3-23	79820	4-11	89BM-6102-FA	5-7
74430	3-23	79821	4-11	89BM-6148-DA	5-7
74431	3-23	81812	2-73	89BM-6148-EA	5-7
74433	3-27	82063	3-6, 3-8, 3-10	89BM-6148-FA	5-7
74443	2-33, 2-35	82200	3-7, 3-9, 3-11	89BM-6200-AD	5-7
74454	2-85	82239	2-53	89BM-6211-AA	5-7
74469	4-3	82509	2-45	89BM-6211-BA	5-7
74475	2-61	82731	2-41	89BM-6211-CA	5-7
75028	2-77	82733	2-73	89BM-6211-DA	5-7
75128	2-19	82739	2-40	89BM-6211-EA	5-7
75430	2-61	82747	2-23	89BM-6214-DB	5-7
75809	5-7	82798	2-15	89BM-6251-BA	5-5
75817	5-7	82831	2-83	89BM-6303-DA	5-7
75934	2-61	83584	4-14	89BM-6312-AA	5-7
763113	3-35	83682	2-33, 2-35	89BM-6331-AA	5-7
763116	3-35	83684	2-33, 2-35	89BM-6331-BA	5-7
76315	2-97	83685	2-33, 2-35	89BM-6331-CA	5-7
76316	2-95	83849	2-33, 2-35	89BM-6331-DA	5-7
76589-2	2-29	83BM-6700-A4A	5-7, 5-11	89BM-6331-EA	5-7
76736	2-45	84029	2-67	89BM-6331-FA	5-7
76955	3-31, 3-33, 3-35, 3-36	84170	2-61	89BM-6331-GA	5-7
77097	2-53, 2-67, 2-75	84581	2-77	89BM-6331-HA	5-7
77320	2-73	84641	2-35	89BM-6333-AA	5-7
77399	2-25, 2-27	84989	5-10	89BM-6333-BA	5-7
77BF-9K442-AA	5-10	86041	2-41	89BM-6333-CA	5-7
77BM-6256-AA	5-5	86240	2-57, 2-59, 2-81	89BM-6333-DA	5-7
77BM-6531-BB	5-5	86330	2-73, 3-6, 3-7	89BM-6333-EA	5-7
77BM-6584-CA	5-2	86331	3-10, 3-11	89BM-6333-FA	5-7
77BM-6598-AB	5-5	86332	3-6, 3-7, 3-10, 3-11	89BM-6333-GA	5-7
77BM-6K255-AC	5-5	86333	3-8, 3-9	89BM-6333-HA	5-7
78122	2-47	86751	2-59	89BM-6344-BA	5-7
78143	2-93	86791	2-63	89BM-6375-BA	5-16
79399	2-3, 2-29	86BM-6617-AA	5-9	89BM-6500-AA	5-5
79422	2-37	86BM-6675-AA	5-9	89BM-6505-CA	5-2
79425	2-3	86BM-6K318-AA	5-7	89BM-6507-BA	5-2
79729	4-5	86HM-6701-A1A	5-7	89BM-6513-AA	5-2
79768	2-97, 4-3	87396	2-45	89BM-6529-AB	5-5
79785	4-11	87536	2-23	89BM-6565-AA	5-5
79786	4-11	87631	2-83	89BM-6582-AA	5-2
79787	4-11	87676	2-15	89BM-6659-AA	5-9
79788	4-11	87866	2-3, 2-23	89BM-6784-AA	5-9
79789	4-11	87948	3-3	89BM-6A341-AA	5-7
79790	4-11	87AB-2A411-BA	5-10	89BM-6A341-BA	5-7
79791	4-11	87AB-9H490-AA	5-10	89BM-6A536-AA	5-2
79792	4-11	87YF-12405-AB	5-15	89BM-6K340-AA	5-7
79793	4-11	88BM-6A557-AA	5-5	89BM-6K528-AB	5-5
79794	4-11	88BX-6008-BA	5-13	89BM-8507-AA	5-12
79795	4-11	88BX-6014-BA	5-13	89BM-9441-AB	5-10
79796	4-11	88WM-6518-AA	5-2	89BM-9448-BA	5-10
79798	4-11	88WM-6571-BB	5-2	92BM-6750-AA	5-9
79799	4-11	89BF-12297-AA	5-15	92BX-8591-AA	5-12
79800	4-11	89BF-9424-AD	5-10	98BF-12029-AB	5-15
79801	4-11	89BM-6010-FA	5-3	98BF-12257-AA	5-15
79802	4-11	89BM-6011-DA	5-3	98BF-12283-DA	5-15
79803	4-11	89BM-6019-AA	5-11	98BF-12284-DA	5-15

## CROSS REFERENCE

---

<b>Part Number</b>	<b>Page Number</b>
------------------------	------------------------

---

98BF-12286-DA	5-15
98BF-12287-DA	5-15